

**Bandido** creates products that generate harmony and warmth in each space where they are present. We hope you enjoy your new product and exceeds all your expectations.

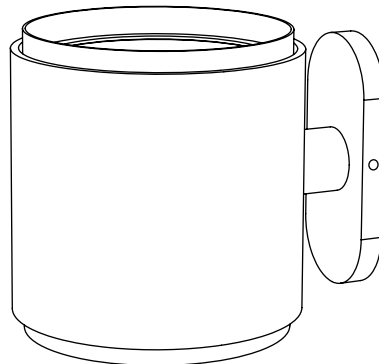
You can get more information about the maintenance of your product and warranty by scanning the following QR Code.



# B

# TEMPLO

## Sconce Lamp Instructions



CDMX

Aristóteles 127  
Polanco IV Sección Miguel Hidalgo  
11550 CDMX, México

+52 555 087 2443

PUEBLA

Callejón del Cristo 2 Int. 6 A  
Col. San José del Puente  
72150 Puebla, Pue, México

+52 222 688 8442

### Light Source

2.5 W G9 LED COB 250 lm  
120 - 127 V - 60 Hz 0.020 A  
2700 K  
Included

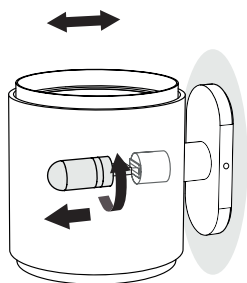
### Indoor Use

[bandidostudio.com](http://bandidostudio.com)

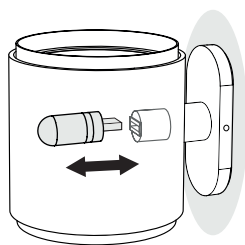
# Bandido

## BULB REPLACEMENT

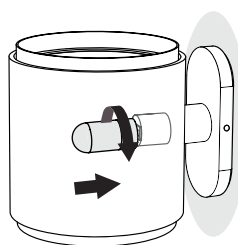
### 1



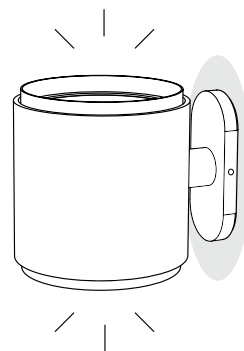
### 2



### 3



### 4



Handle with care, fragile materials.



Use only LED bulbs.

# INSTALLATION GUIDE

Sconce Lamp



**CAUTION:** Turn off the power supply before executing any electrical installation.

**We suggest that any electrical work be performed by a qualified specialist.**

## Included Parts:



Body  
1x



Screw  
2x



Fastener  
2x



Wall Plug  
2x



Steel plate  
1x



Cable Holder "8"  
1x



G9 bulb  
1x

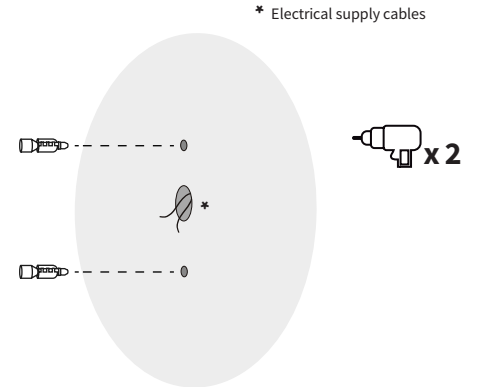


Connector  
1x

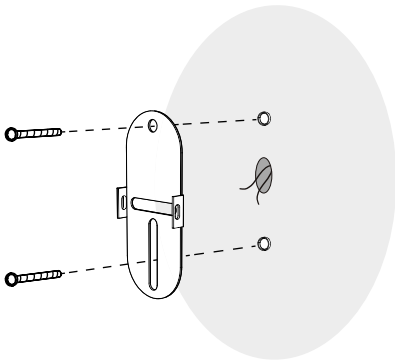


Diffuser  
1x

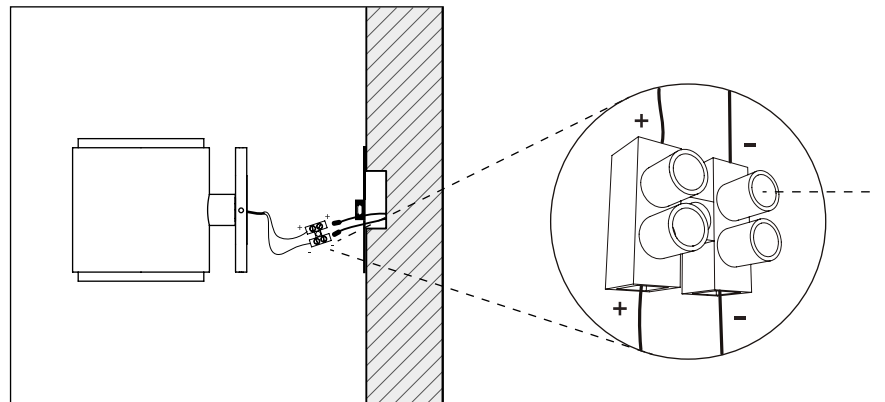
**1** Placement of wall plugs. Before drilling, mark the location of the screws according to the **installation template**.



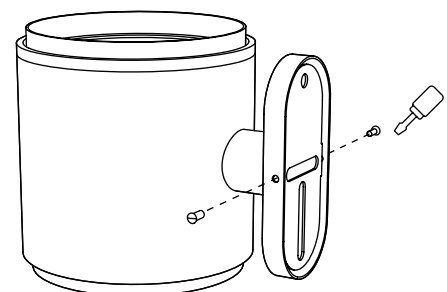
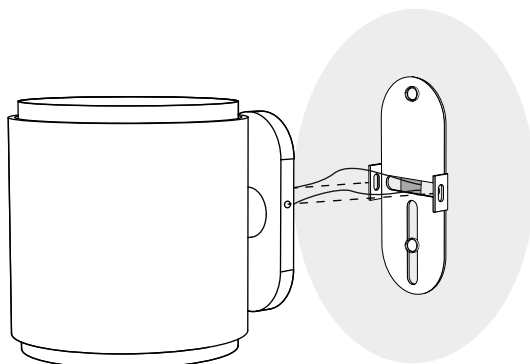
**2** Securing the steel plate.



**3** Connect + to + and - to - using the connector.



**4** Secure the body to the steel plate.



\* The fasteners are pre-installed.



**Handle with care, fragile materials.**

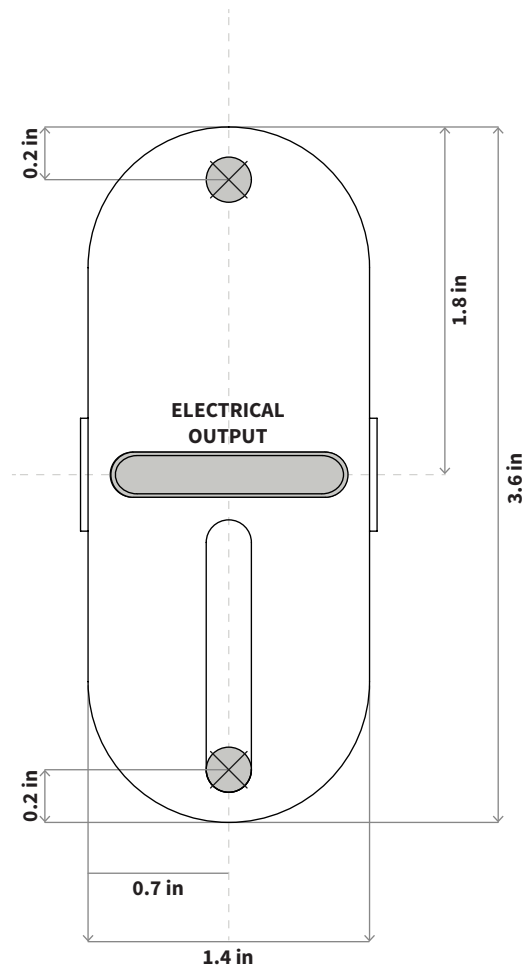
# TEMPLATE

PL09

## TEMPLO Sconce Lamp

### Installation guide

1. Place this template on the surface where the luminaire will be installed.
2. Align and level the template using the reference lines.
3. Mark the drilling holes.
4. Drill.



Scale 1:1



0.3 in

Bandido