

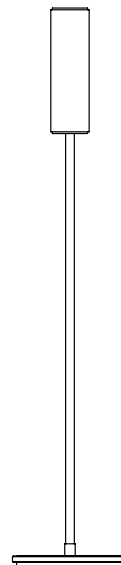
Bandido creates products that generate harmony and warmth in each space where they are present. We hope you enjoy your new product and exceeds all your expectations.

You can get more information about the maintenance of your product and warranty by scanning the following QR Code.



B TEMPLO

Floor Lamp Instructions



CDMX

Aristóteles 127
Polanco IV Sección Miguel Hidalgo
11550 CDMX, México

+52 555 087 2443

PUEBLA

Callejón del Cristo 2 Int. 6 A
Col. San José del Puente
72150 Puebla, Pue, México

+52 222 688 8442

bandidostudio.com

Light Source

2 x 5 W E27 LED COB 550 lm

120 - 127 V - 60 Hz 0.020 A

2700 K

Included

Indoor Use

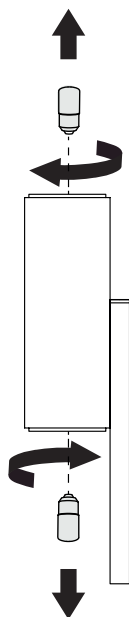
Bandido

BULB REPLACEMENT

1

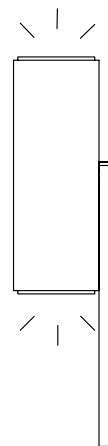


2



3

After installing the bulbs, connect it to the power supply.



Handle with care, fragile materials.



Use only LED bulbs.

INSTALLATION GUIDE

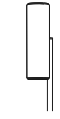
Floor Lamp



CAUTION: Turn off the power supply before executing any electrical installation.

We suggest that any electrical work be performed by a qualified specialist.

Included Parts:



Lamp
1x



Allen screw
1x



Base
1x

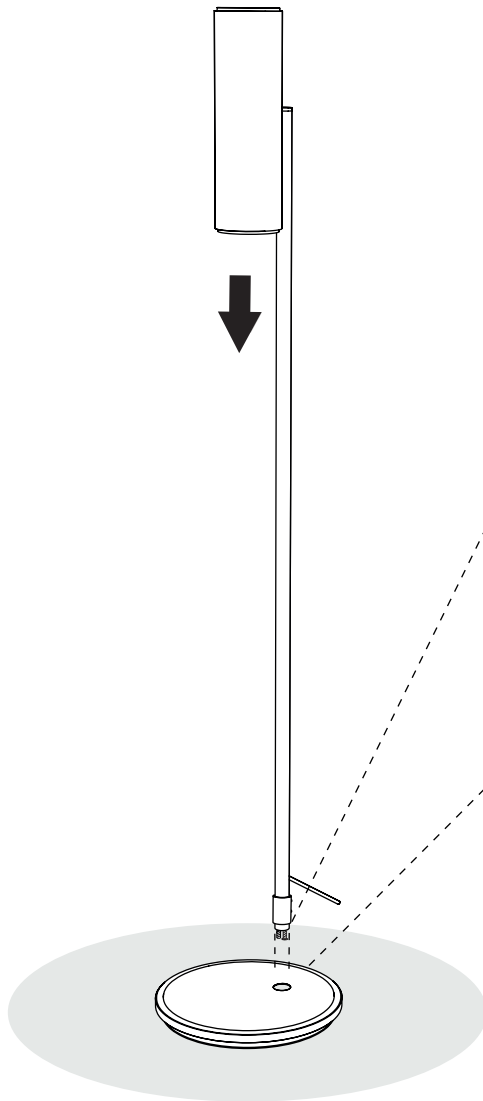


Allen Key
1x



E27 bulb
2x

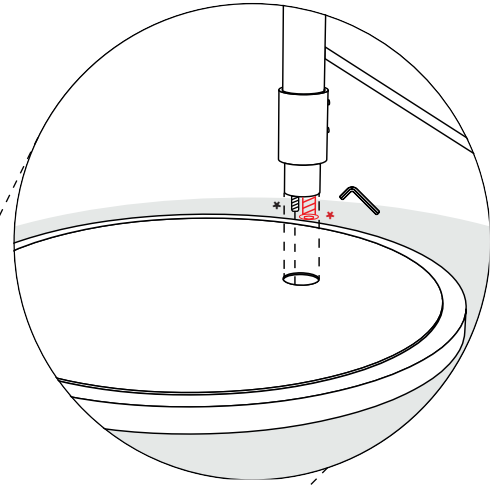
1



2

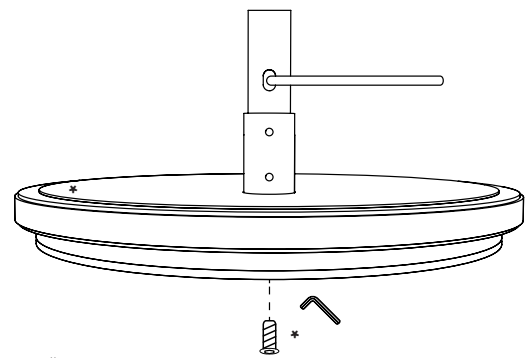
Place the lamp on the base.

- * Reference screw for positioning the lamp tube.
- * Remove the Allen screw to attach the tube to the base.



3

Lamp fixture.



- * Screw in completely.
- * Remove the protective film.



Handle with care, fragile materials.