

**Bandido** creates products that generate harmony and warmth in each space where they are present. We hope you enjoy your new product and exceeds all your expectations.

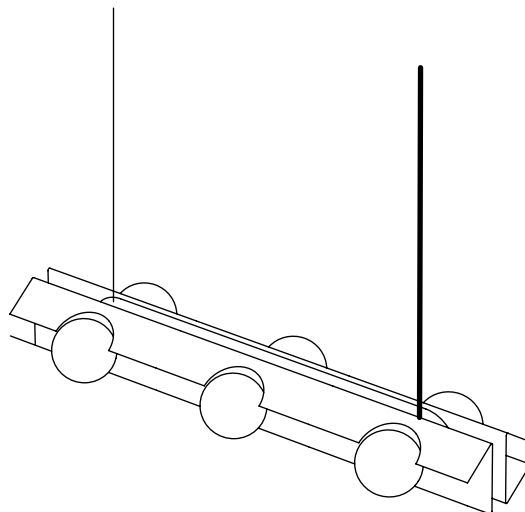
You can get more information about the maintenance of your product and warranty by scanning the following QR Code.



# B FLUX 70

## Pendant Lamp

### Instructions



#### CDMX

Aristóteles 127  
Polanco IV Sección Miguel Hidalgo  
11550 CDMX, México

+52 555 087 2443

#### PUEBLA

Callejón del Cristo 2 Int. 6 A  
Col. San José del Puente  
72150 Puebla, Pue, México

+52 222 688 8442

#### Light Source

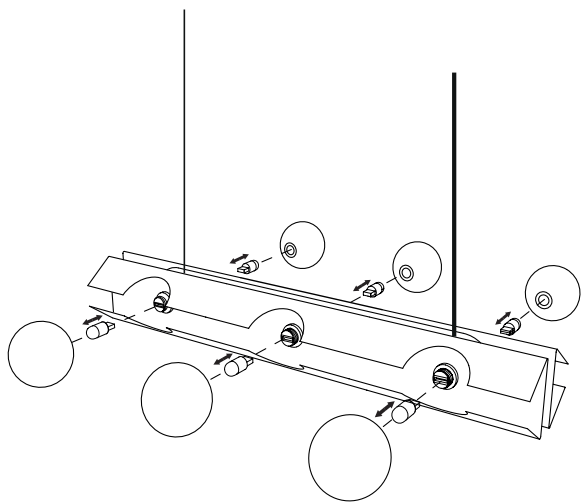
6 x 2.5 W G9 LED COB 250 lm  
120 - 127 V - 60 Hz 0.020 A  
2700 K  
Included

#### Indoor Use


[bandidostudio.com](http://bandidostudio.com)


# Bandido

## BULB REPLACEMENT



- 1** Unscrew the glass diffusers by turning them counter clockwise.
- 2** Remove the bulb and insert the replacement.
- 3** Reinstall the glass diffusers by turning them clockwise.

 Handle with care, fragile materials.

 Use only LED bulbs.

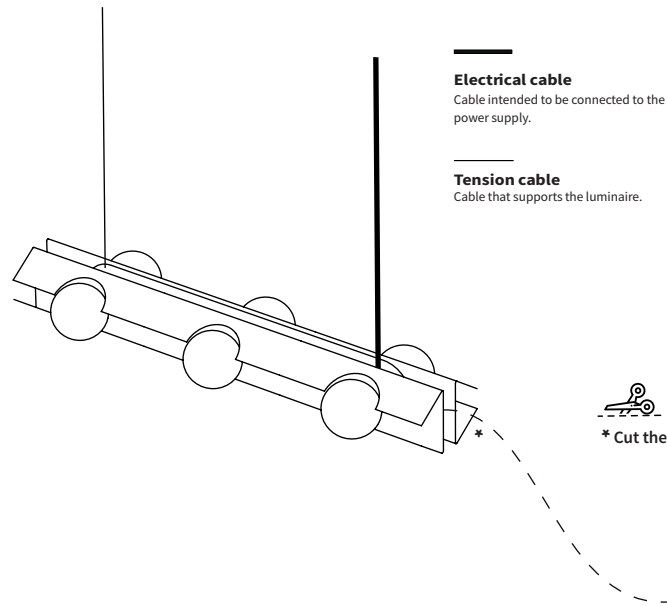
## CONFIGURATION POSSIBILITIES

Pendant Lamp

We suggest that any electrical work be performed by a qualified specialist.

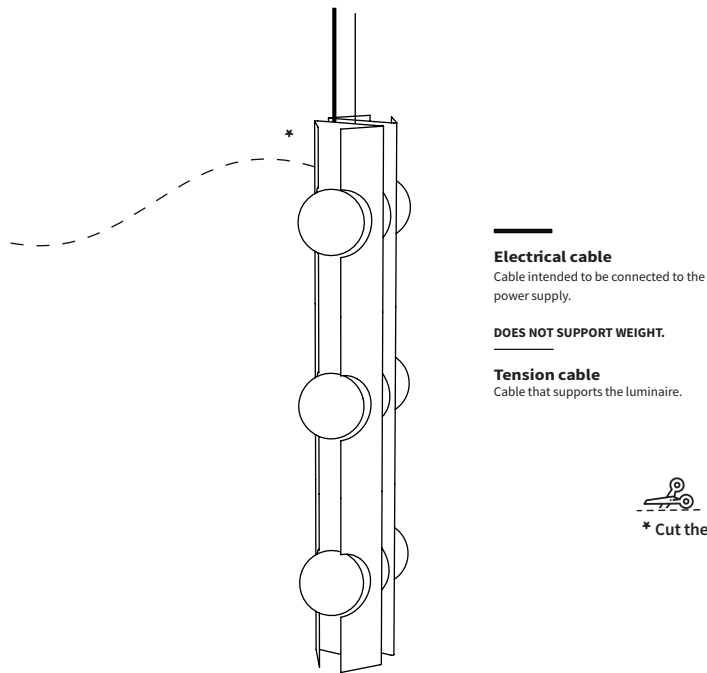
Included Parts:

### 1 Horizontal



\* Cut the tension cable for HORIZONTAL configuration.

### 2 Vertical



\* Cut the tension cable for VERTICAL configuration.



Handle with care, fragile materials.



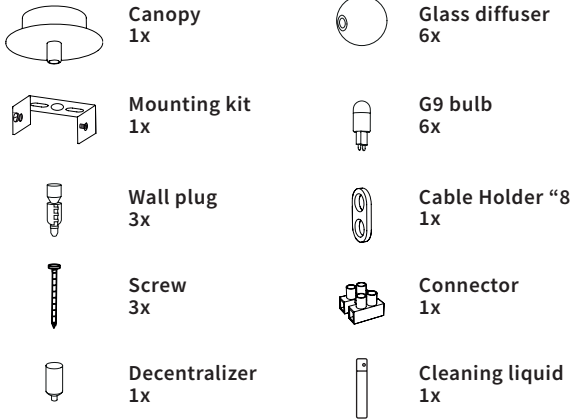
Use only LED bulbs.

# INSTALLATION GUIDE

Pendant Lamp - Horizontal Configuration

**We suggest that any electrical work be performed by a qualified specialist.**

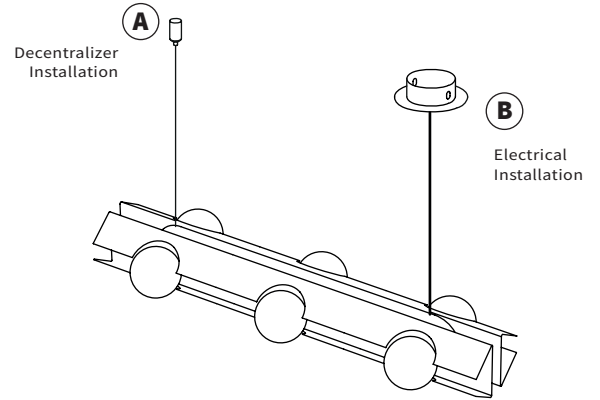
## Included Parts:



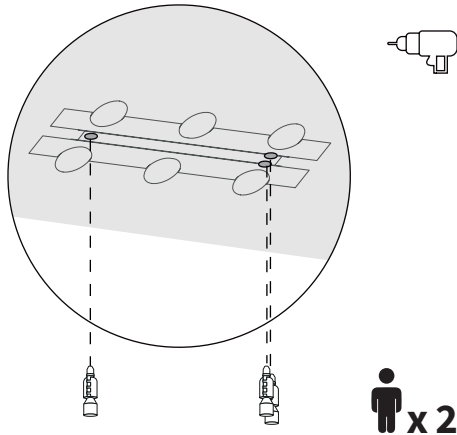
**CAUTION: Turn off the power supply before executing any electrical installation.**



**Structural reinforcement is recommended for walls and ceilings made of drywall or other similar finishes.**

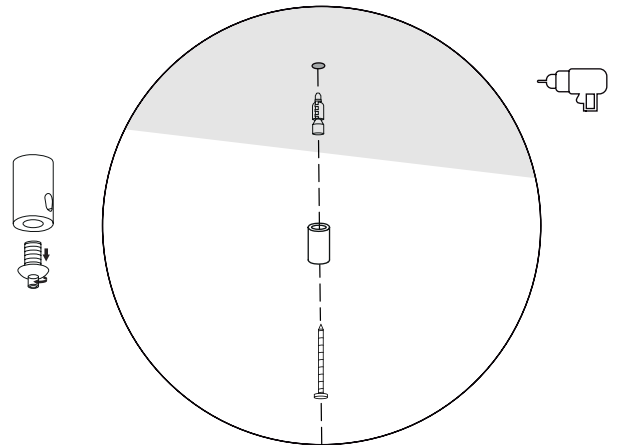


**1A** Placement of wall plugs. Before drilling, mark the drilling points according to the **Fixing template** and ensure they are correctly aligned.

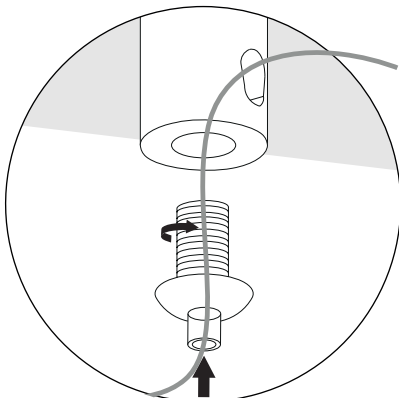


The installation should be done by two people.

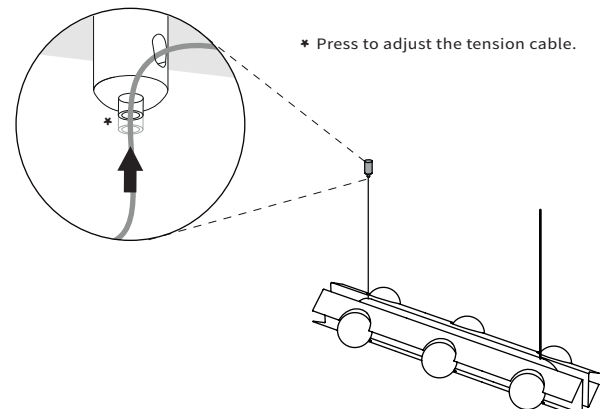
**2A** Fix the decentralizer.



**3A** Pass the tension cable through the decentralizer.



**4A** Level the luminaire and adjust to the desired height.



**Handle with care, fragile materials.**

# INSTALLATION GUIDE

Pendant Lamp - Horizontal Configuration

**We suggest that any electrical work be performed by a qualified specialist.**



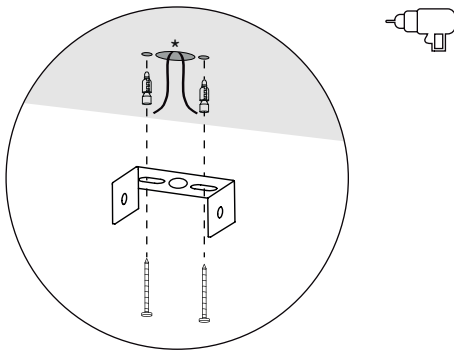
**CAUTION: Turn off the power supply before executing any electrical installation.**



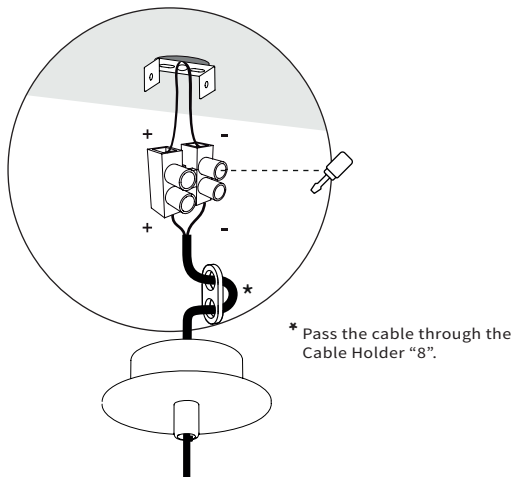
**Structural reinforcement is recommended for walls and ceilings made of drywall or other similar finishes.**

## 5B Fix the light crossbar.

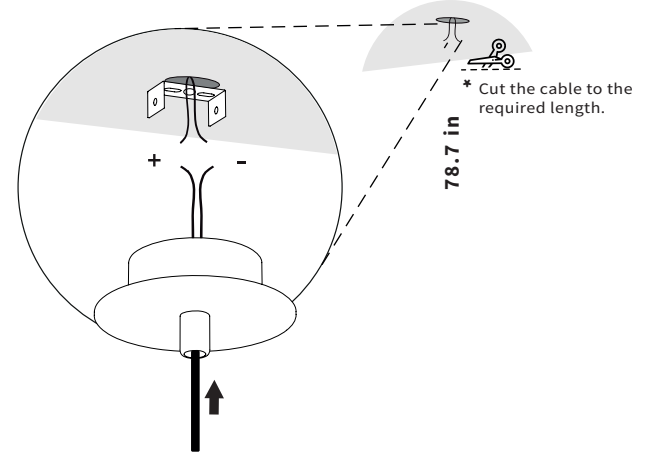
\* Electrical supply cables.



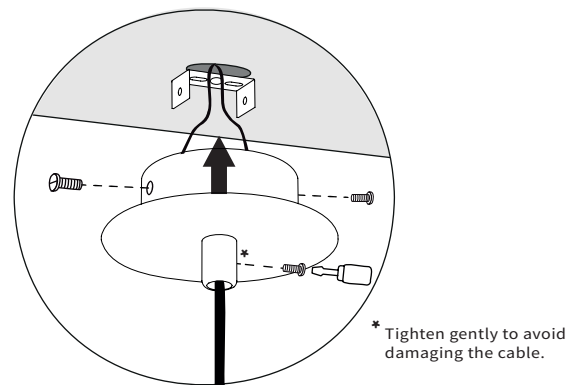
## 7B Connect + to + and - to - using the connector.



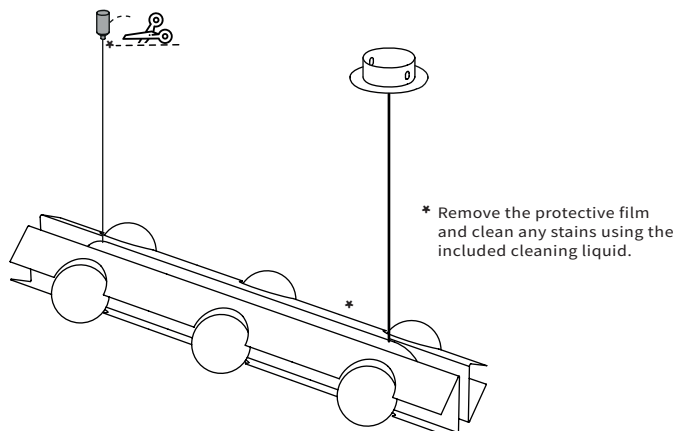
## 6B Pass the canopy through the cable.



## 8B Secure the canopy to the ceiling.



## 9A Cut the excess tension cable after completing the electrical connection.



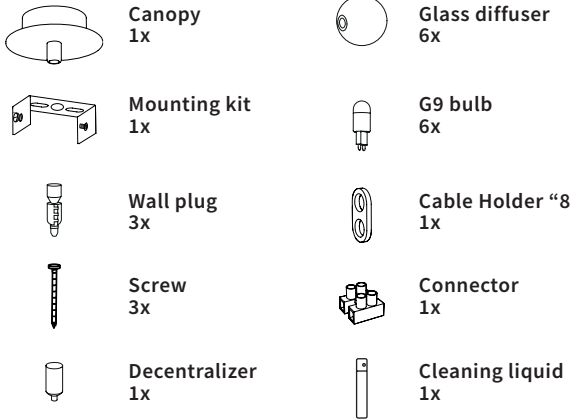
**Handle with care, fragile materials.**

# INSTALLATION GUIDE

Pendant Lamp - Vertical Configuration

**We suggest that any electrical work be performed by a qualified specialist.**

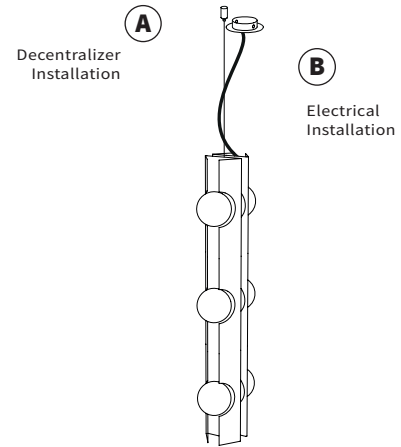
## Included Parts:



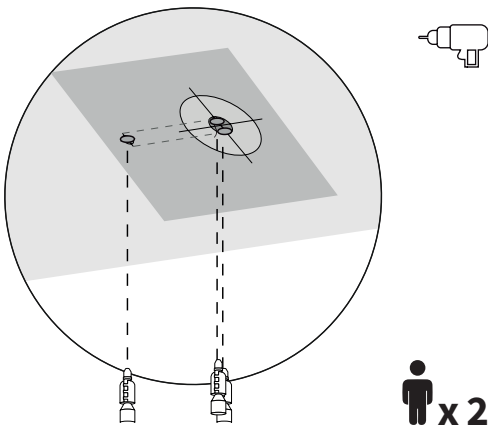
**CAUTION: Turn off the power supply before executing any electrical installation.**



**Structural reinforcement is recommended for walls and ceilings made of drywall or other similar finishes.**

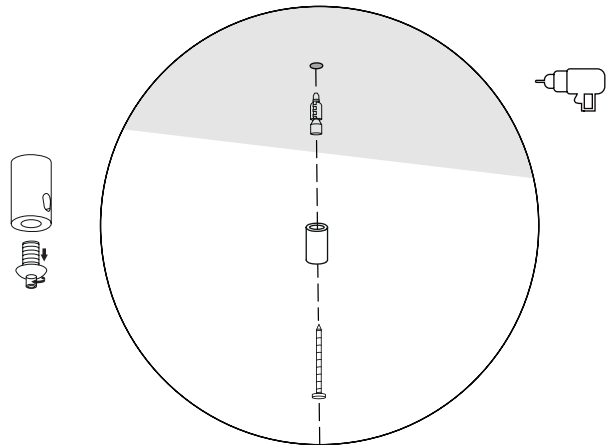


**1A** Placement of wall plugs. Before drilling, mark the drilling points according to the **Fixing template** and ensure they are correctly aligned.

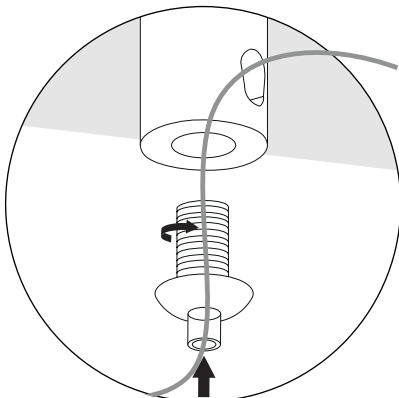


The installation should be done by two people.

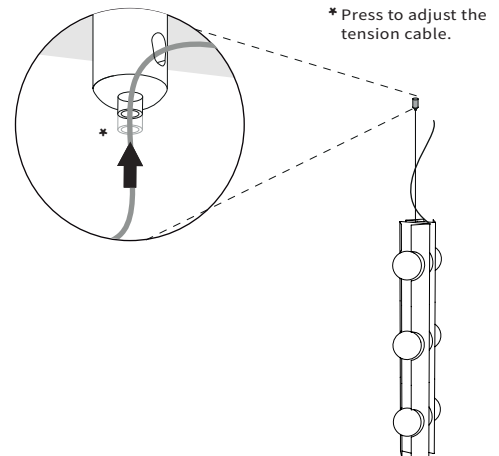
**2A** Fix the decentralizer.



**3A** Pass the tension cable through the decentralizer.



**4A** Level the luminaire and adjust to the desired height.



**Handle with care, fragile materials.**

**B**

# INSTALLATION GUIDE

Pendant Lamp - Vertical Configuration

**We suggest that any electrical work be performed by a qualified specialist.**



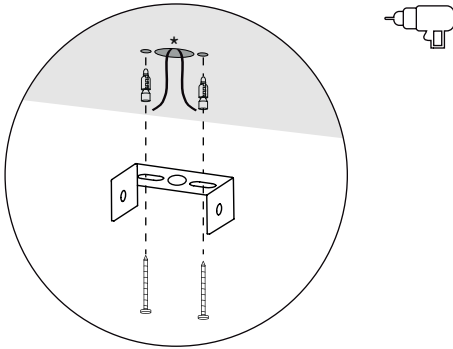
**CAUTION: Turn off the power supply before executing any electrical installation.**



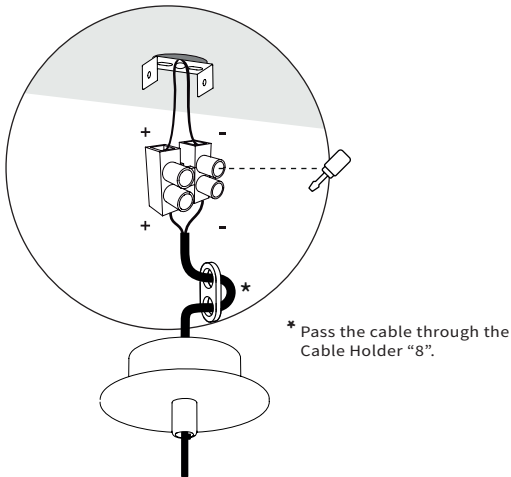
**Structural reinforcement is recommended for walls and ceilings made of drywall or other similar finishes.**

## 5B Fix the light crossbar.

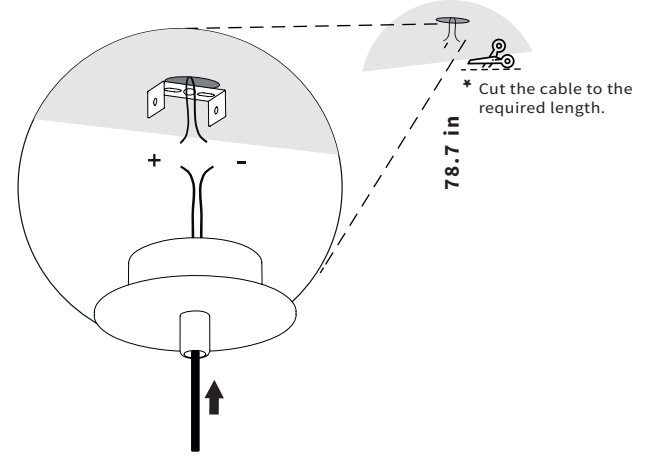
\* Electrical supply cables.



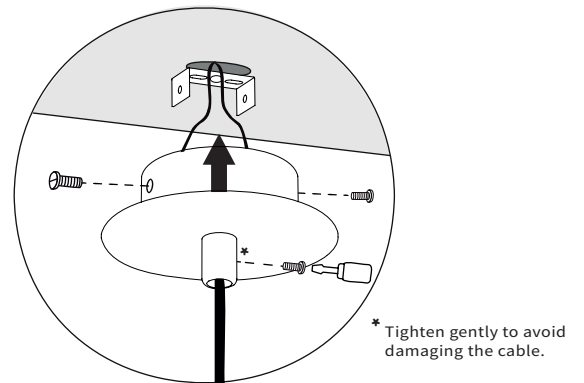
## 7B Connect + to + and - to - using the connector.



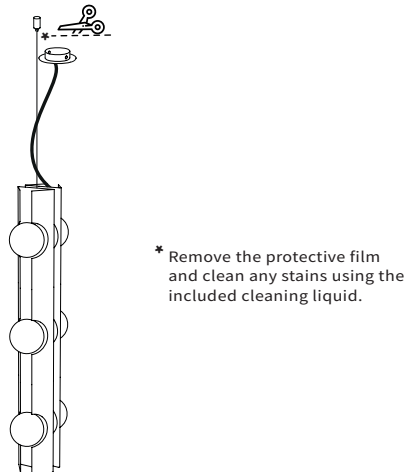
## 6B Pass the canopy through the cable.



## 8B Secure the canopy to the ceiling.



## 9A Cut the excess tension cable after completing the electrical connection.



**Handle with care, fragile materials.**

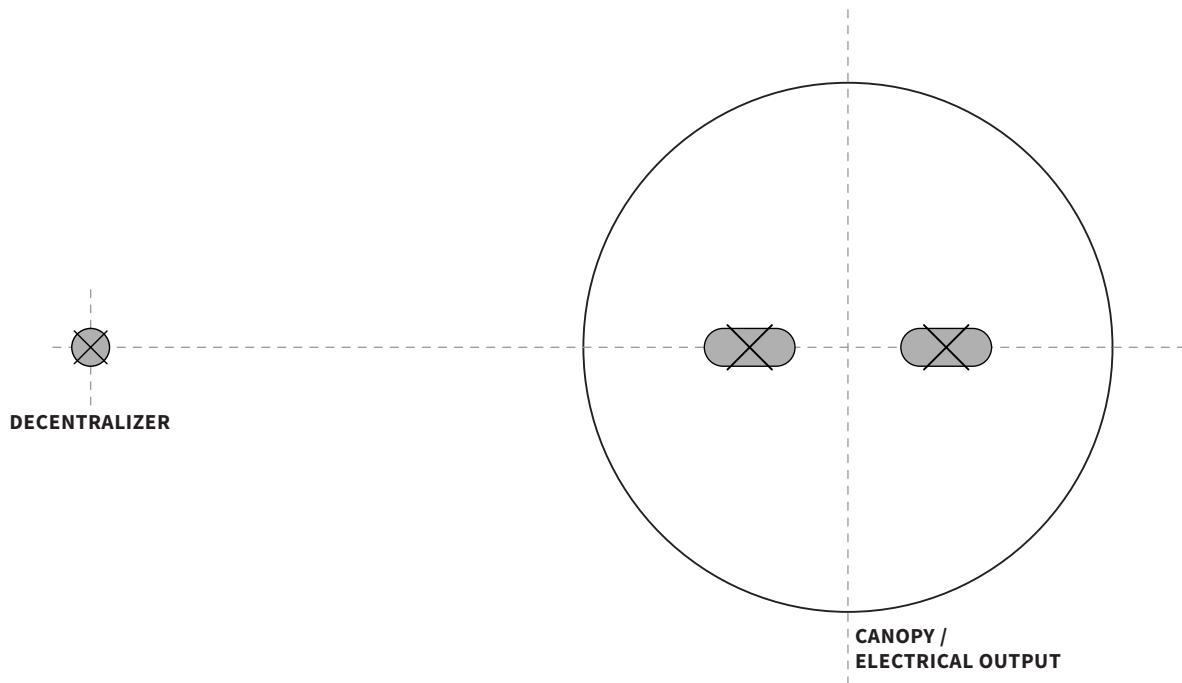
# TEMPLATE

PL01

## FLUX 70 Pendant Lamp - Vertical Configuration

### Installation guide

1. Place this template on the surface where the pendant luminaire will be installed.
2. Align and level the template using the reference line.
3. Mark the drilling holes.
4. Drill.



Scale 1:1



0.3 in

Bandido

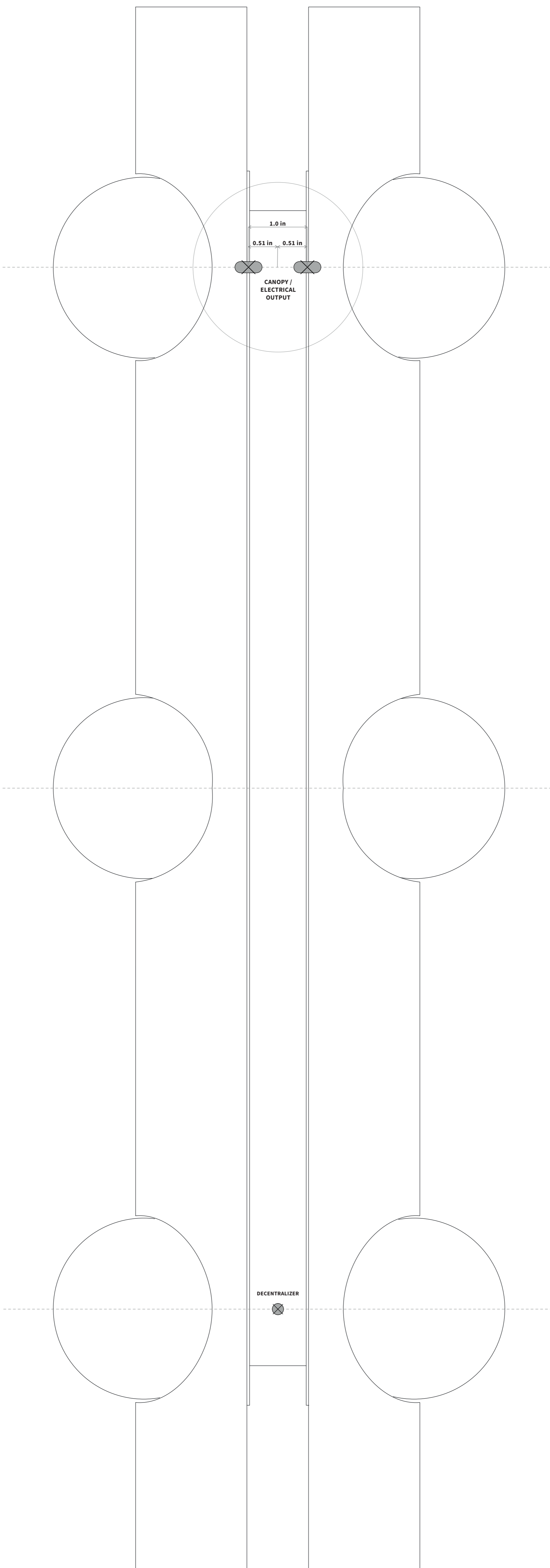
# TEMPLATE

FLUX 70 Pendant Lamp - Horizontal Configuration

PL15

## Installation guide

1. Place this template on the surface where the pendant luminaire will be installed.
2. Align and level the template using the reference line.
3. Mark the drilling holes.
4. Drill.



Scale 1:1  
0.3 in