

Bandido creates products that generate harmony and warmth in each space where they are present. We hope you enjoy your new product and exceeds all your expectations.

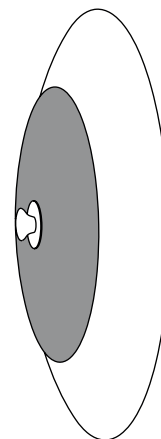
You can get more information about the maintenance of your product and warranty by scanning the following QR Code.



B FASE 25

Sconce Lamp

Instructions



CDMX

Aristóteles 127
Polanco IV Sección Miguel Hidalgo
11550 CDMX, México

+52 555 087 2443

PUEBLA

Callejón del Cristo 2 Int. 6 A
Col. San José del Puente
72150 Puebla, Pue, México

+52 222 688 8442

Light Source

1x LED Optical Module 120°15W

2300lm / 120 V ~ 60 Hz 0.118 A

3000K

Included

Indoor Use

bandidostudio.com

Bandido

OPERATION INSTRUCTIONS

- 1** Unpack carefully. The materials are brittle and can easily crack.
- 2** Follow instructions on back of sheet for installation of this product.

Spare Parts

- For LED module replacement, contact Bandido directly.



Handle with care, fragile materials.



The warranty is void if the luminaire is opened or internally modified.

INSTALLATION GUIDE

Sconce Lamp

We suggest that any electrical work be performed by a qualified specialist.



CAUTION: Turn off the power supply before executing any electrical installation.



Structural reinforcement is recommended for walls and ceilings made of drywall or other similar finishes.

Included Parts:



Hexagonal Screw
2x



Connector
1x

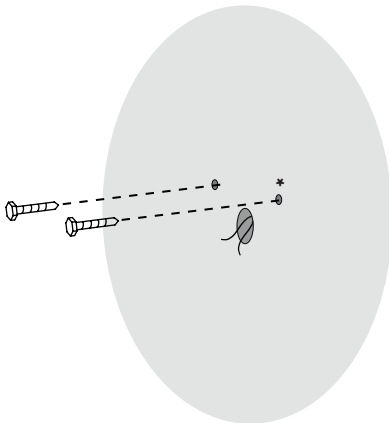


Wall plug
2x



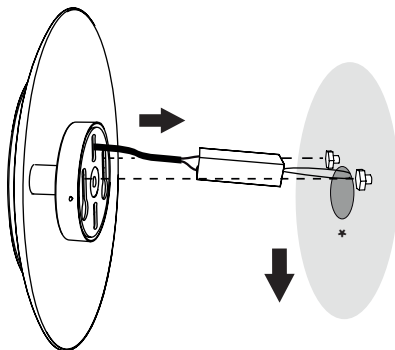
Cable Holder "8"
1x

2 Placement of hexagonal screws.



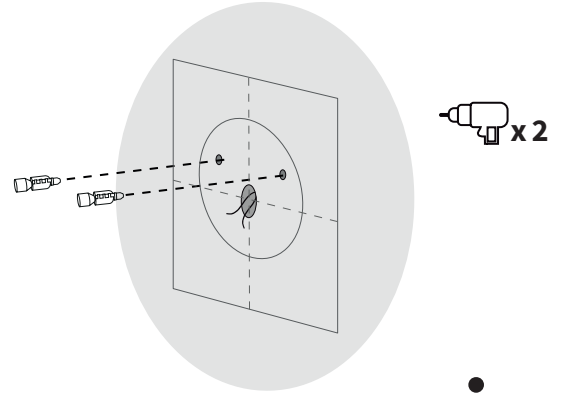
* Leave a 2-3 mm separation from wall.

4 Carefully align the fixture body and position it onto the hexagonal screws.



* Place the driver into the space in the wall.

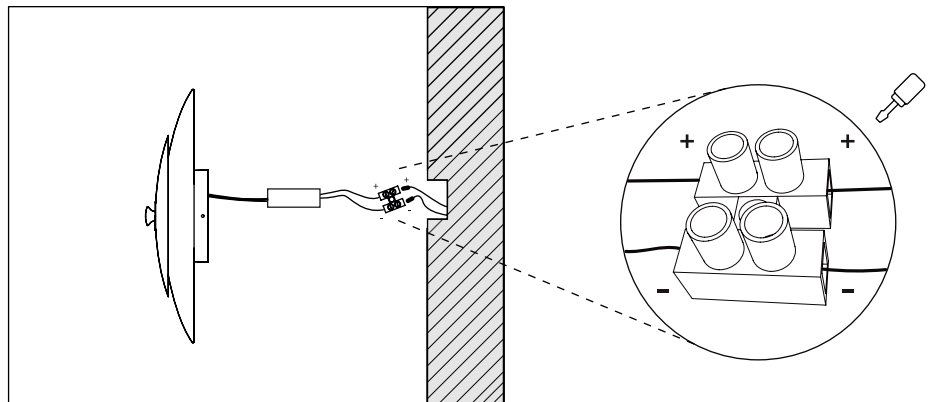
1 Placement of wall plugs. Before drilling, mark the drilling points according to the Fixing template and ensure they are correctly aligned.



It is recommended that installation be performed by two people.



3 Connect + to + and - to - using the connector.



Handle with care, fragile materials.



The warranty is void if the luminaire is opened or internally modified.

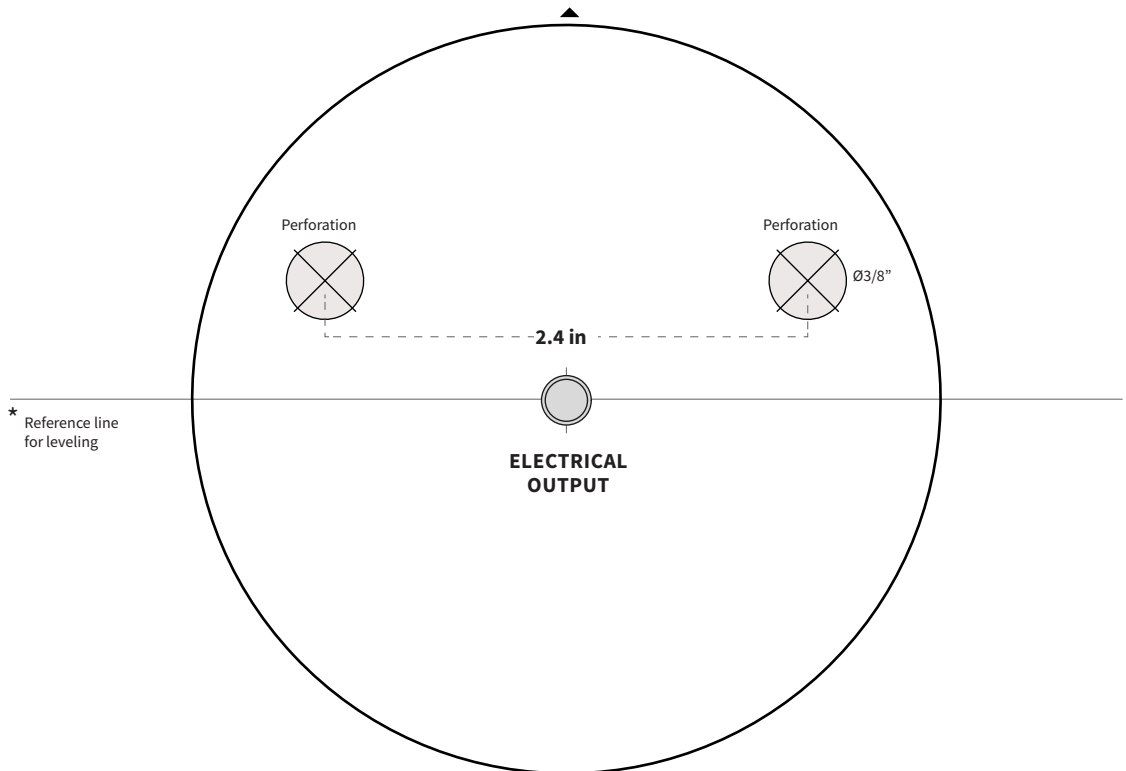
TEMPLATE

PL08

FASE Sconce Lamp

Installation guide

1. Place this template on the surface where the luminaire will be installed.
2. Align and level the template using the reference line.
3. Mark the drilling holes.
4. Drill.



Scale 1:1



0.3 in

Bandido