

Bandido creates products that generate harmony and warmth in each space where they are present. We hope you enjoy your new product and exceeds all your expectations.

You can get more information about the maintenance of your product and warranty by scanning the following QR Code.

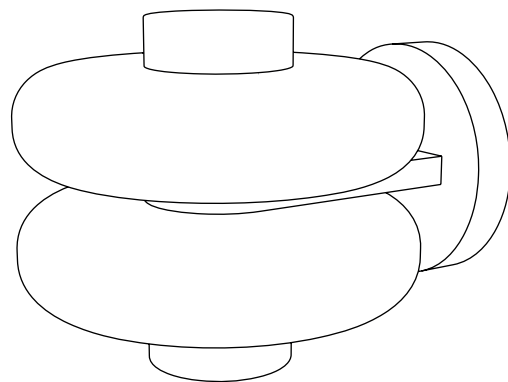


B

DUO

Sconce Lamp

Instructions



CDMX

Aristóteles 127
Polanco IV Sección Miguel Hidalgo
11550 CDMX, México

+52 555 087 2443

PUEBLA

Callejón del Cristo 2 Int. 6 A
Col. San José del Puente
72150 Puebla, Pue, México

+52 222 688 8442

Light Source

6 W G9 LED 600 lm
120 - 127 V ~ 60 Hz 0.07 - 0.05 A
2700 K
Included

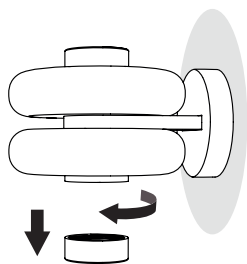
Indoor Use

bandidostudio.com

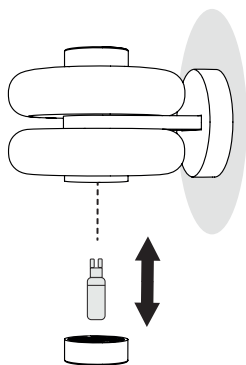
Bandido

BULB REPLACEMENT

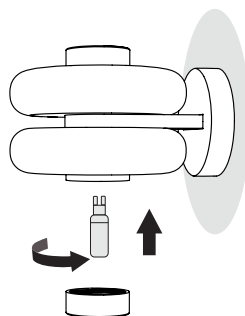
1



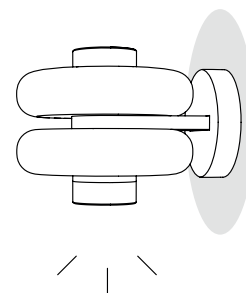
2





3



4



 Handle with care, fragile materials.

 Use only LED bulbs.

INSTALLATION GUIDE

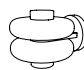





Sconce Lamp



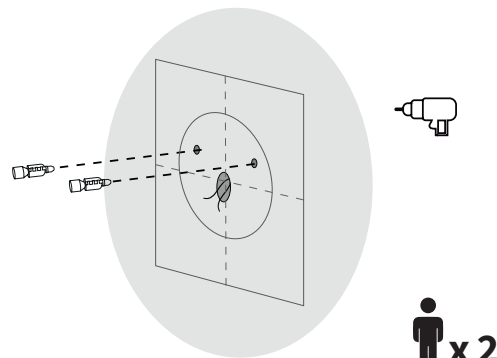
CAUTION: Turn off the power supply before executing any electrical installation.

We suggest that any electrical work be performed by a qualified specialist.

Included Parts:

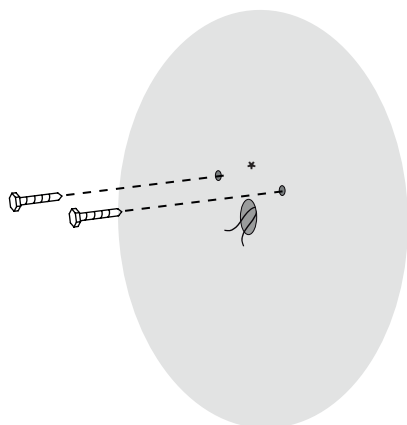
	Luminaire 1x		Hex screw 2x
	G9 bulb 1x		Cable Holder "8" 1x
	Wall plug 2x		Connector 1x

1 Install the wall plugs. Before drilling, mark the screw locations according to the **Fixing template** and ensure they are horizontally aligned.



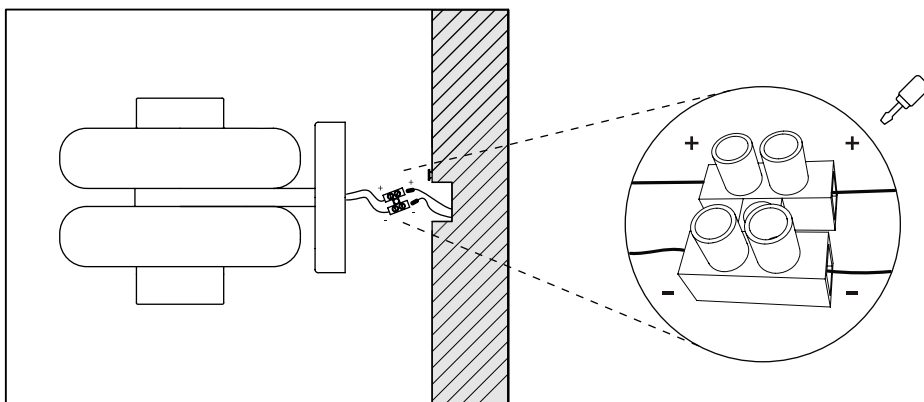
It is recommended that installation be performed by two people.

2 Install the hex screws.

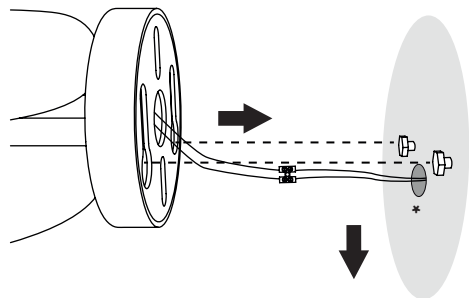


* Leave a 2-3 mm gap from the wall.

3 Connect + to + and - to - using the connector.



4 Secure the luminaire onto the hex screws.



* Insert the cables into the wall cavity.



Handle with care, fragile materials.

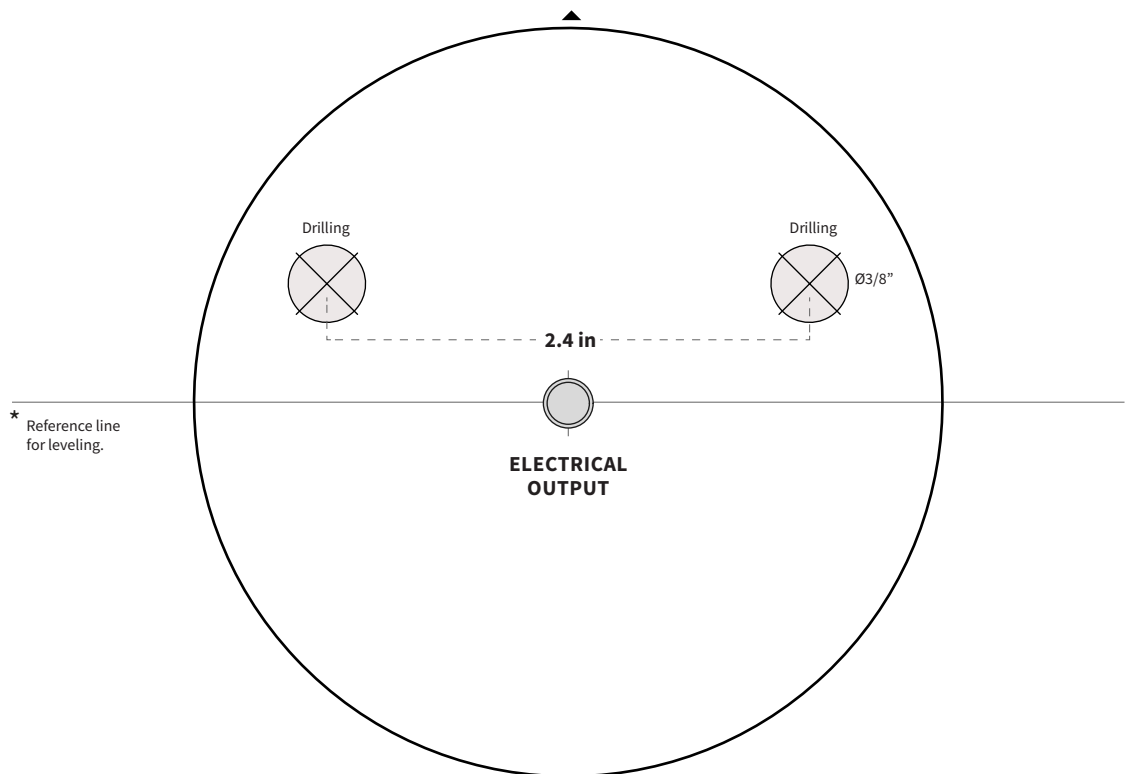
TEMPLATE

PL06

DUO Sconce Lamp

Installation guide

1. Place this template on the surface where the luminaire will be installed.
2. Align and level the template using the reference line.
3. Mark the drilling points using a pilot drill bit.
4. Drill using a 3/8" drill bit.



Scale 1:1



0.3 in

Bandido