

**Bandido** creates products that generate harmony and warmth in each space where they are present. We hope you enjoy your new product and exceeds all your expectations.

You can get more information about the maintenance of your product and warranty by scanning the following QR Code.

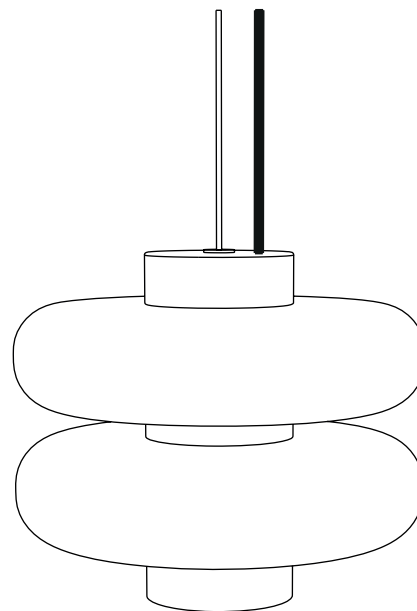


# B

# DUO

## Pendant Lamp

### Instructions



CDMX

Aristóteles 127  
Polanco IV Sección Miguel Hidalgo  
11550 CDMX, México

+52 555 087 2443

PUEBLA

Callejón del Cristo 2 Int. 6 A  
Col. San José del Puente  
72150 Puebla, Pue, México

+52 222 688 8442

**Light Source**

**6 W G9 LED 600 lm**  
120 - 127 V ~ 60 Hz 0.07 - 0.05 A  
2700 K  
Included

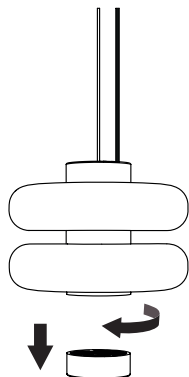
**Indoor Use**

[bandidostudio.com](http://bandidostudio.com)

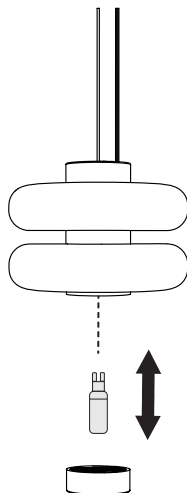
# Bandido

## BULB REPLACEMENT

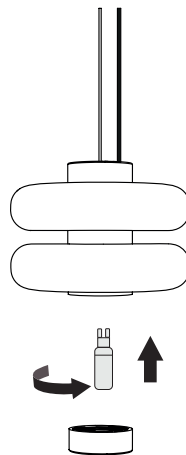
### 1



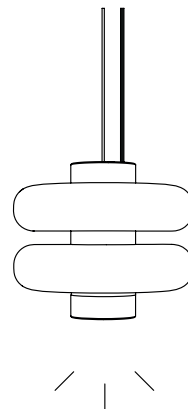
### 2



### 3



### 4



Handle with care, fragile materials.



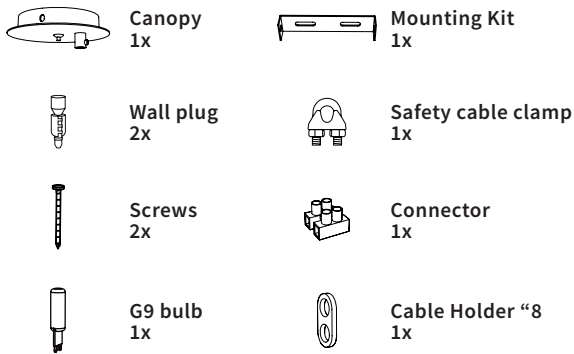
Use only LED bulbs.

# INSTALLATION GUIDE

## Pendant Lamp

We suggest that any electrical work be performed by a qualified specialist.

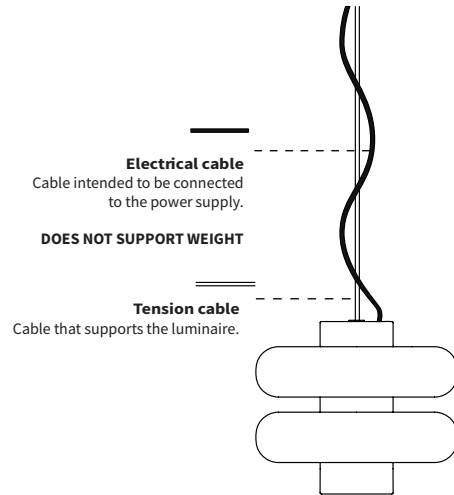
### Included Parts:



**CAUTION: Turn off the power supply before executing any electrical installation.**

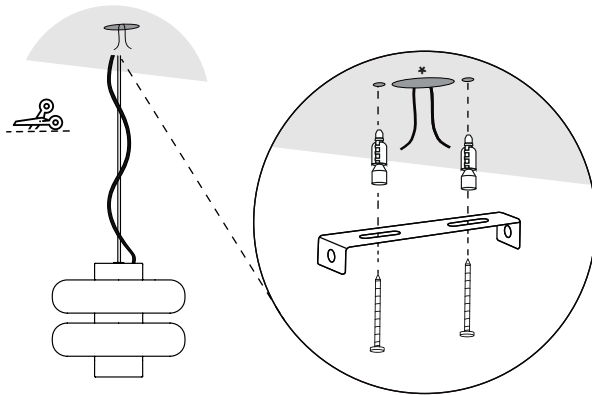


**Structural reinforcement is recommended for walls and ceilings made of drywall or other similar finishes.**



**1** Cut the cable to the desired length. Fix the light crossbar.

\* Electrical supply cables.

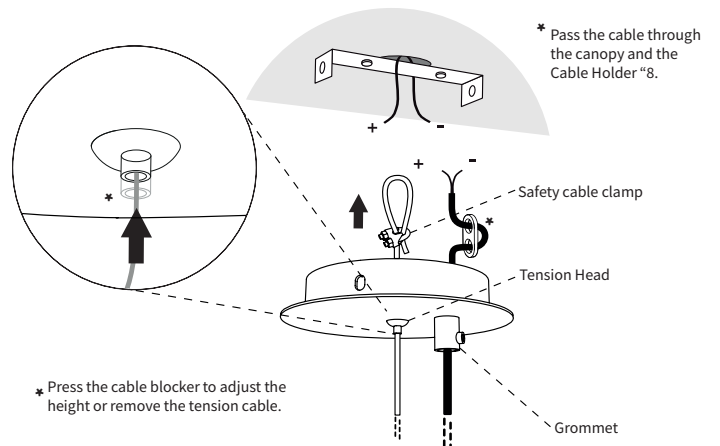


Electrical cable length: 118.11 in  
Tension cable length: 78.74 in

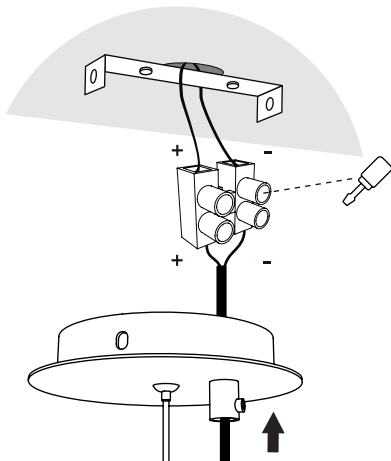
It is recommended that installation be performed by two people.



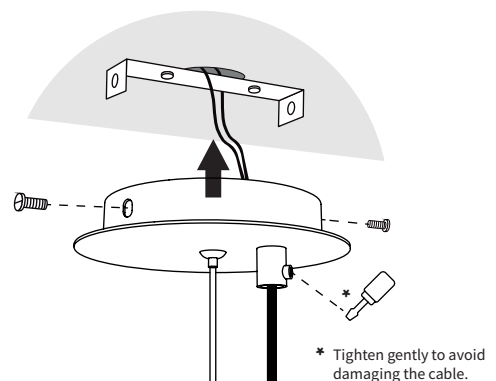
**2** Pass the electrical cable through the cable guide and the tension cable through the cable blocker. Fix the safety cable clamp onto the tension cable.



**3** Connect + to + and - to - using the connector.



**4** Secure the canopy to the ceiling.  
\* Tighten gently to avoid damaging the cable.



**Handle with care, fragile materials.**