

**Bandido** creates products that generate harmony and warmth in each space where they are present. We hope you enjoy your new product and exceeds all your expectations.

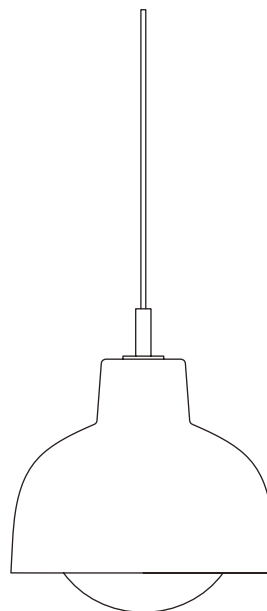
You can get more information about the maintenance of your product and warranty by scanning the following QR Code.



# B DBH 02

## Pendant Lamp

### Instructions



#### CDMX

Aristóteles 127  
Polanco IV Sección Miguel Hidalgo  
11550 CDMX, México

+52 555 087 2443

#### PUEBLA

Callejón del Cristo 2 Int. 6 A  
Col. San José del Puente  
72150 Puebla, Pue, México

+52 222 688 8442

#### Light Source

5 W E27 LED COB 550 lm  
120 - 127 V - 60 Hz 0.020 A  
2700 K  
Included

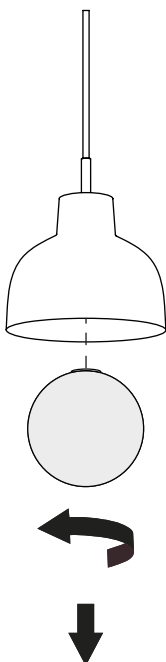
#### Indoor Use

[bandidostudio.com](http://bandidostudio.com)

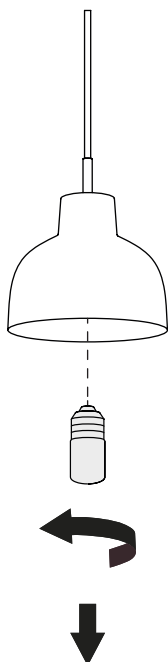
# Bandido

## BULB REPLACEMENT

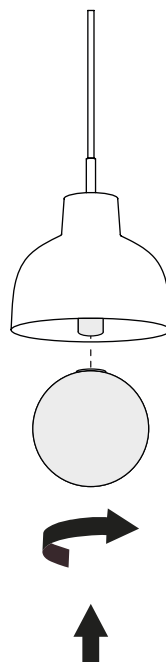
1



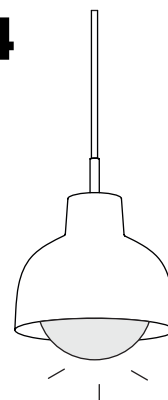
2



3



4



\* Align the glass diffuser and screw gently to avoid jamming.



Handle with care, fragile materials.



Use only LED bulbs.

# INSTALLATION GUIDE

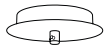
Pendant Lamp



**CAUTION: Turn off the power supply before executing any electrical installation.**

**We suggest that any electrical work be performed by a qualified specialist.**

## Included Parts:



Canopy  
1x



Connector  
1x



Mounting Kit  
1x



E27 bulb  
1x



Wall Plug  
2x



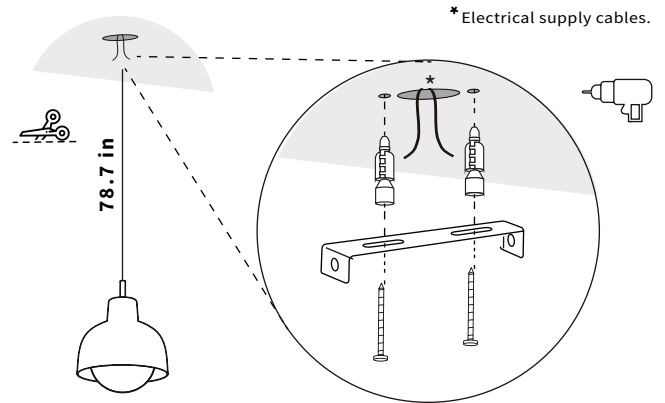
Cable Holder "8"  
1x



Screw  
2x

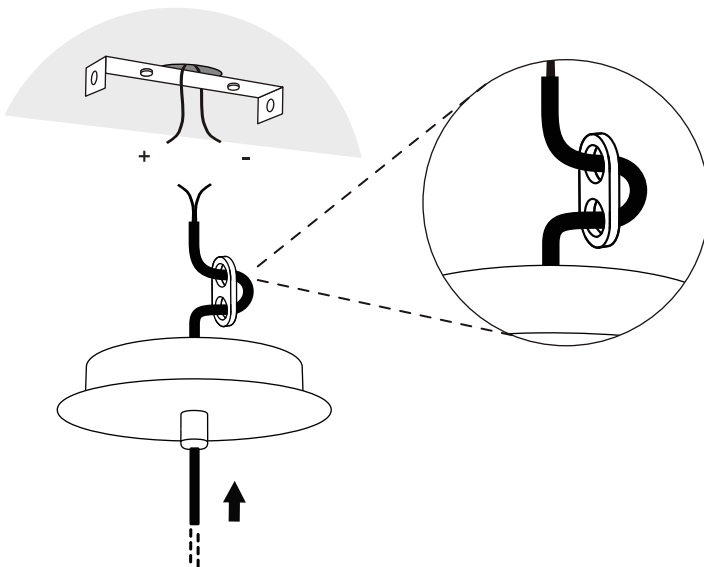
**1**

Cut the cable to the desired length. Place the wall plugs and fix the light crossbar to the ceiling.



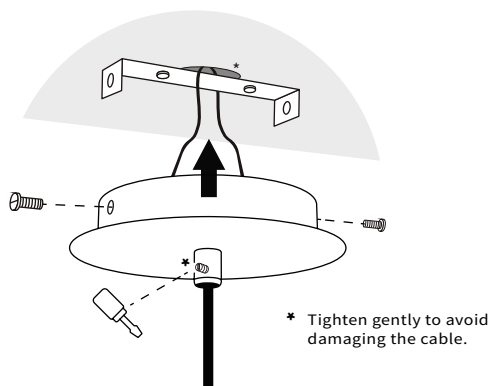
**2**

Pass the canopy and the Cable Holder "8" through the cable.



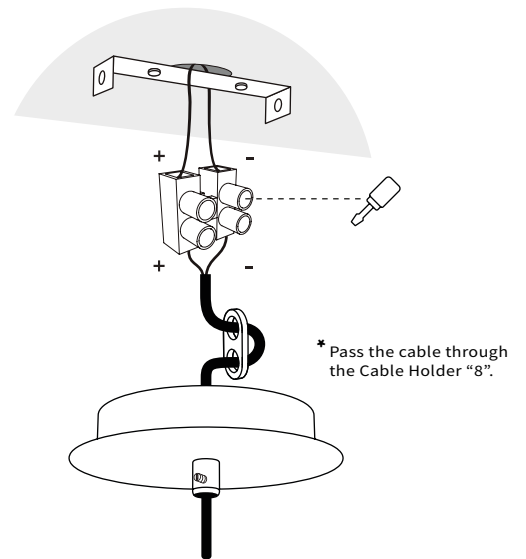
**4**

Secure the canopy to the ceiling.



**3**

Connect + to + and - to - using the connector.



**Handle with care, fragile materials.**