

Bandido creates products that generate harmony and warmth in each space where they are present. We hope you enjoy your new product and exceeds all your expectations.

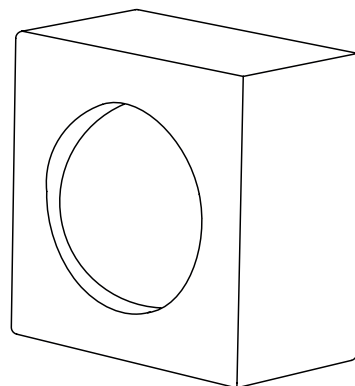
You can get more information about the maintenance of your product and warranty by scanning the following QR Code.



B CORE

Sconce Lamp

Instructions



CDMX

Aristóteles 127
Polanco IV Sección Miguel Hidalgo
11550 CDMX, México

+52 555 087 2443

PUEBLA

Callejón del Cristo 2 Int. 6 A
Col. San José del Puente
72150 Puebla, Pue, México

+52 222 688 8442

Light Source

2.5 W G9 LED COB 250 lm
120 - 127 V - 60 Hz 0.020 A
2700 K
Included

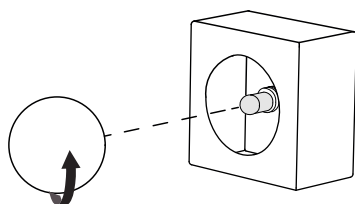
Indoor Use

bandidostudio.com

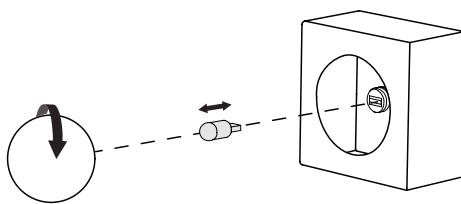
Bandido

BULB REPLACEMENT

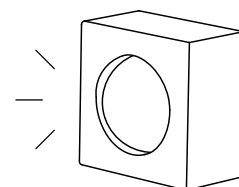
1





2



3



 Handle with care, fragile materials.

 Use only LED bulbs.

INSTALLATION GUIDE

Scence Lamp



CAUTION: Turn off the power supply before executing any electrical installation.

We suggest that any electrical work be performed by a qualified specialist.

Included Parts:



Glass diffuser
1x



Screw
2x



G9 bulb
2x



Cable Holder "8"
1x



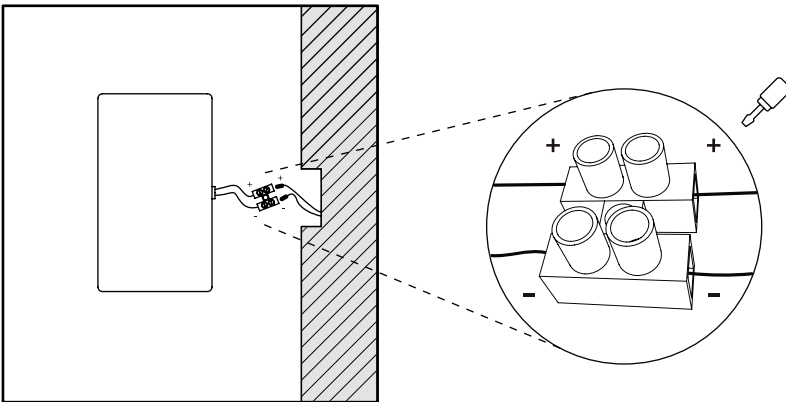
Wall Plug
2x



Connector
1x

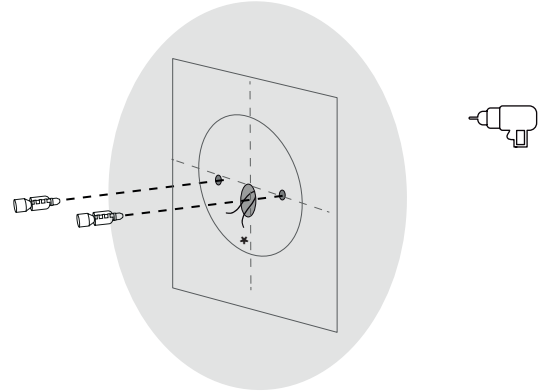
2

Connect + to + and - to - using the connector.



1

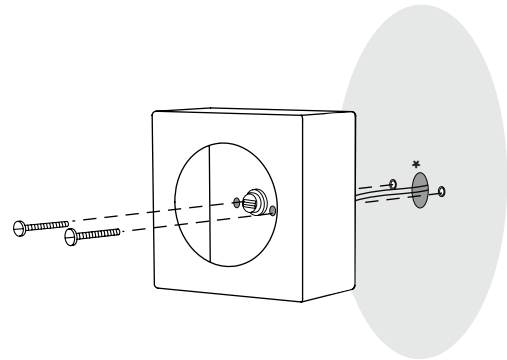
Placement of wall plugs. Before drilling, mark the drilling points according to the **Fixing template** and ensure they are correctly aligned.



* Electrical supply cables.

3

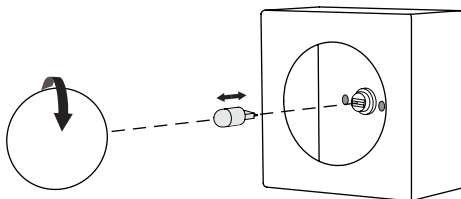
Fix the module to the wall.



*Place cables through the hole on wall.

4

Install the G9 bulb followed by the glass diffuser. Turn clockwise to secure.



Handle with care, fragile materials.

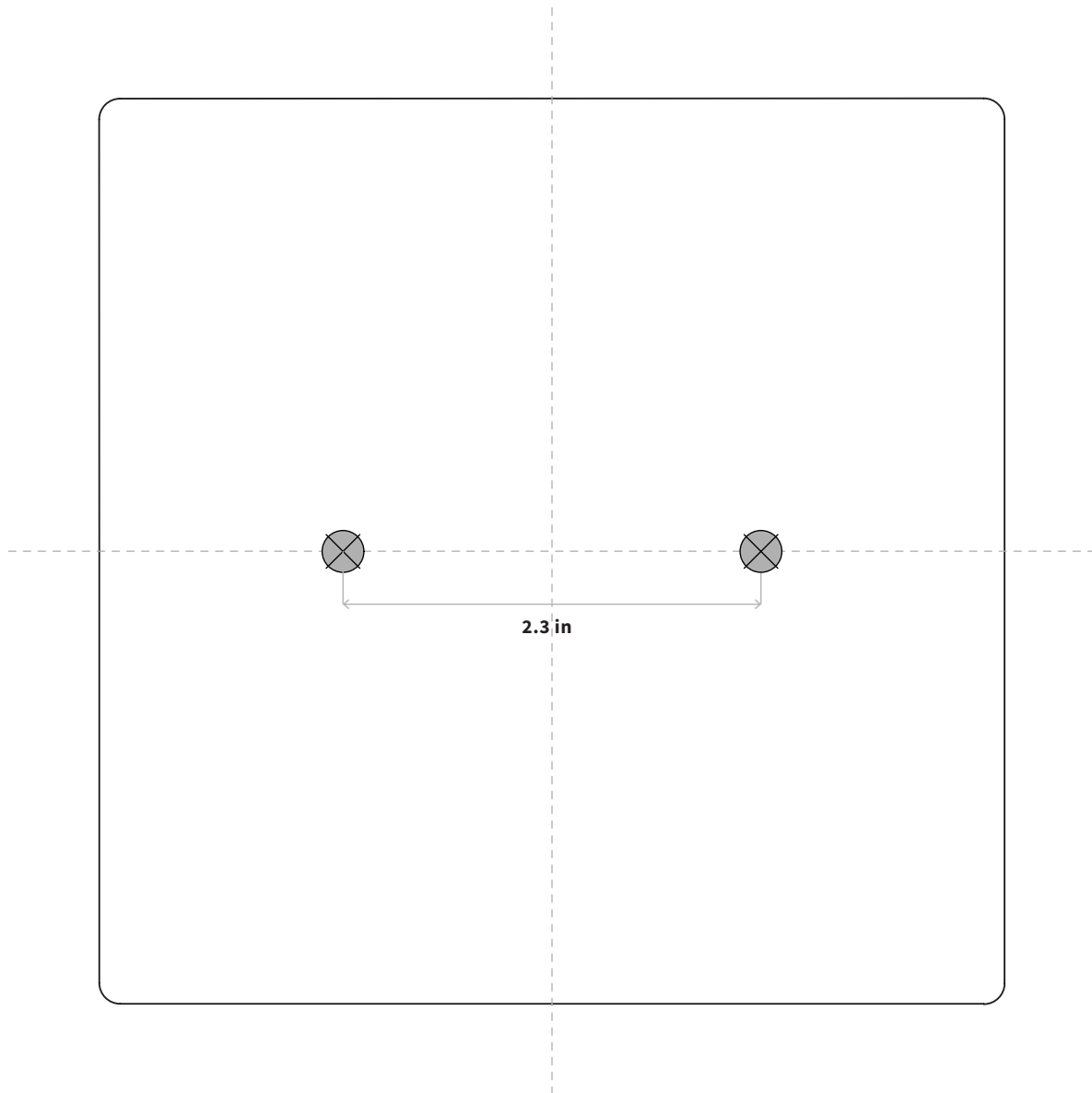
TEMPLATE

PL04

CORE Sconce Lamp

Installation guide

1. Place this template on the surface where the luminaire will be installed.
2. Align and level the template using the reference line.
3. Mark the drilling holes.
4. Drill.



Scale 1:1



0.3 in

Bandido