

Bandido creates products that generate harmony and warmth in each space where they are present. We hope you enjoy your new product and exceeds all your expectations.

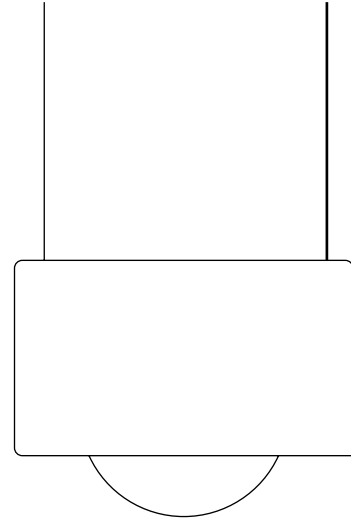
You can get more information about the maintenance of your product and warranty by scanning the following QR Code.



B CORE

Pendant Lamp

Instructions



CDMX

Aristóteles 127
Polanco IV Sección Miguel Hidalgo
11550 CDMX, México

+52 555 087 2443

PUEBLA

Callejón del Cristo 2 Int. 6 A
Col. San José del Puente
72150 Puebla, Pue, México

+52 222 688 8442

Light Source

2.5 W G9 LED COB 250 lm
120 - 127 V - 60 Hz 0.020 A
2700 K
Included

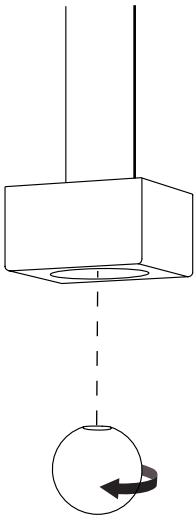
Indoor Use

bandidostudio.com

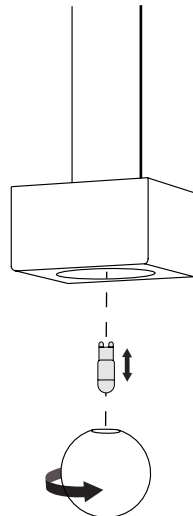
Bandido

BULB REPLACEMENT

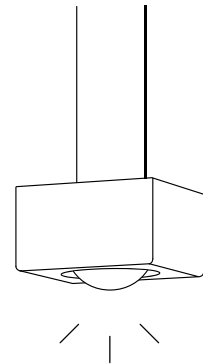
1





2



3



 Handle with care, fragile materials.

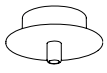
 Use only LED bulbs.

INSTALLATION GUIDE

Pendant Lamp

We suggest that any electrical work be performed by a qualified specialist.

Included Parts:



Canopy
1x



Glass diffuser
1x



Mounting Kit
1x



G9 bulb
1x



Wall Plug
3x



Cable Holder "8"
1x



Screw
3x



Connector
1x



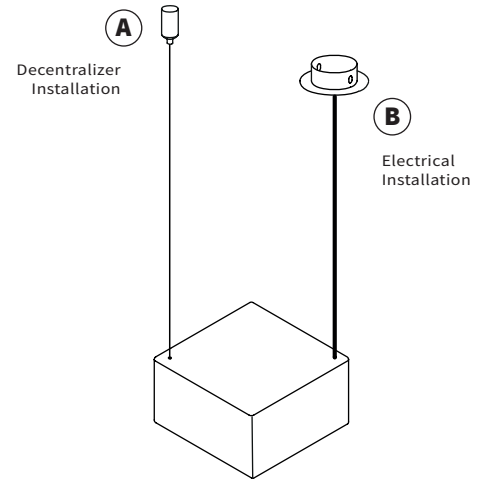
Decentralizer
1x



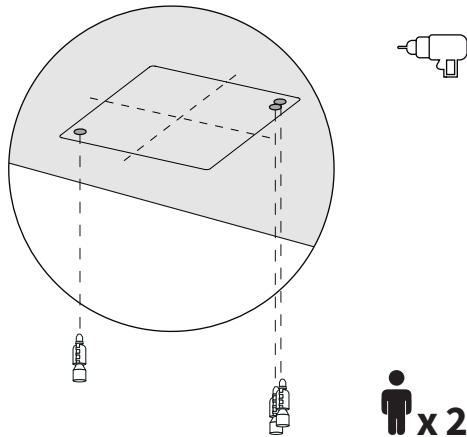
CAUTION: Turn off the power supply before executing any electrical installation.



Structural reinforcement is recommended for walls and ceilings made of drywall or other similar finishes.

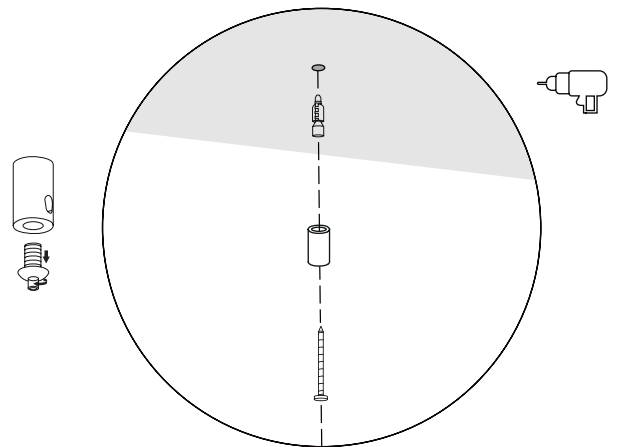


1A Placement of wall plugs. Before drilling, mark the drilling points according to the **Fixing template** and ensure they are correctly aligned.

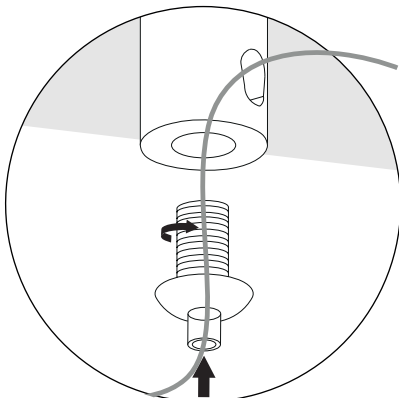


The installation should be done by two people.

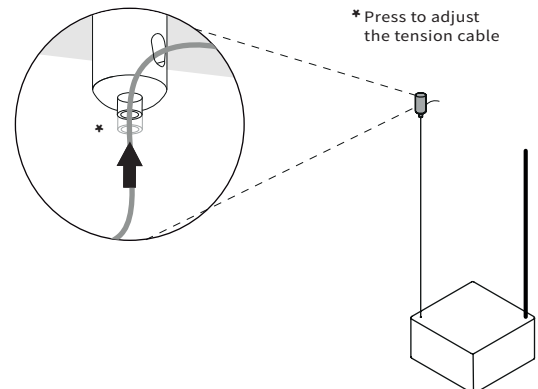
2A Fix the decentralizer.



3A Pass the tension cable through the decentralizer.



4A Level the luminaire and adjust to the desired height.



Handle with care, fragile materials.

B

INSTALLATION GUIDE

Pendant Lamp

We suggest that any electrical work be performed by a qualified specialist.



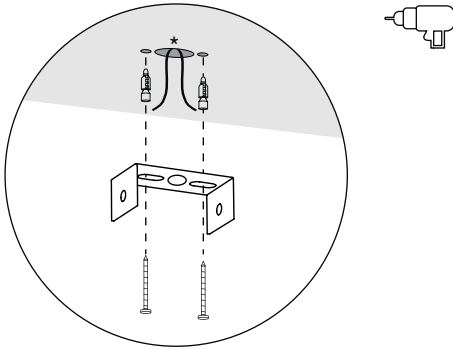
CAUTION: Turn off the power supply before executing any electrical installation.



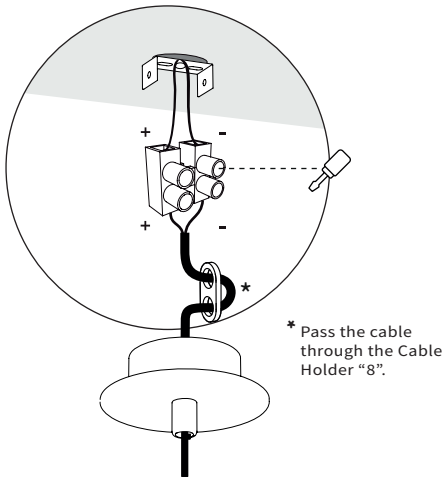
Structural reinforcement is recommended for walls and ceilings made of drywall or other similar finishes.

5B Fix the light crossbar.

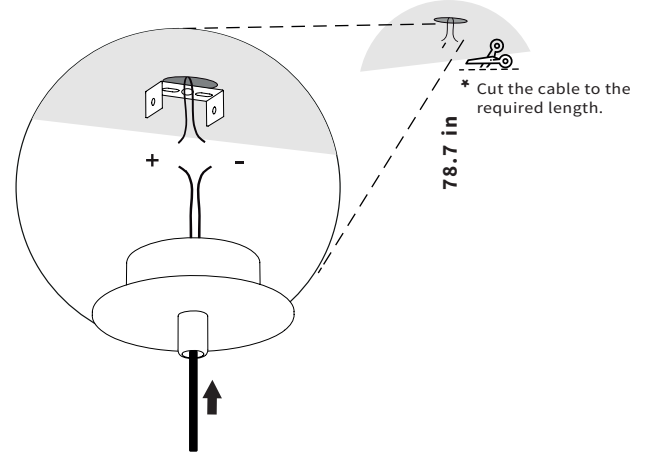
* Electrical supply cables.



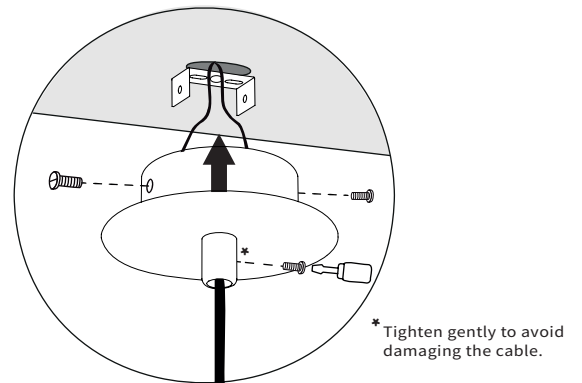
7B Connect + to + and - to - using the connector.



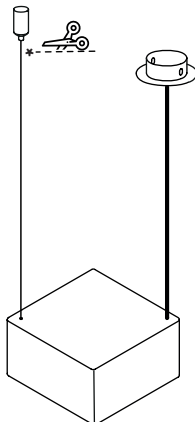
6B Pass the canopy through the cable.



8B Secure the canopy to the ceiling.



9A Cut the excess tension cable after completing the electrical connection.



Handle with care, fragile materials.

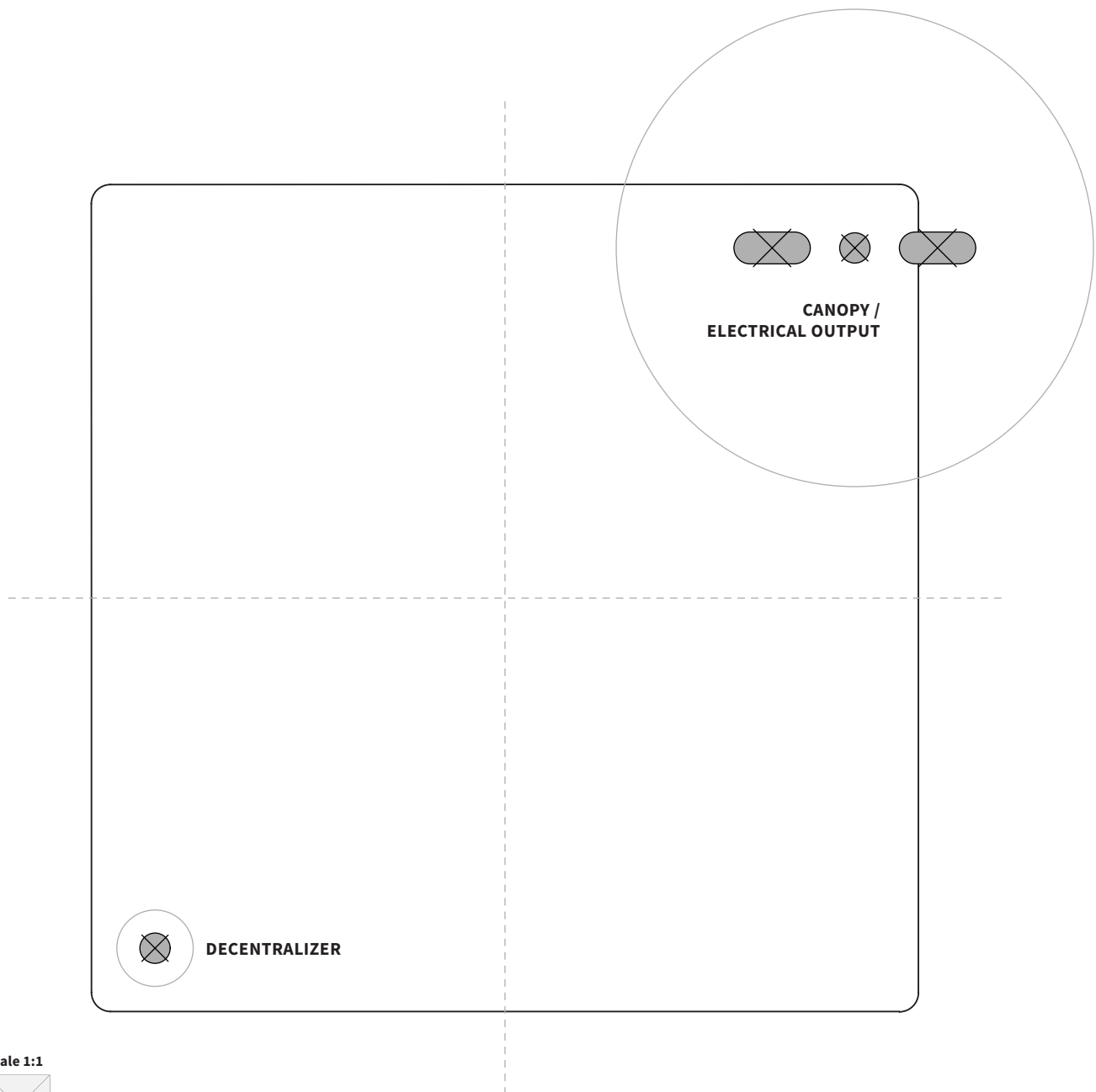
TEMPLATE

PL02

CORE Pendant Lamp

Installation guide

1. Place this template on the surface where the pendant luminaire will be installed.
2. Align and level the template using the reference line.
3. Mark the drilling holes.
4. Drill.



Scale 1:1



0.3 in

Bandido