

Bandido creates products that generate harmony and warmth in each space where they are present. We hope you enjoy your new product and exceeds all your expectations.

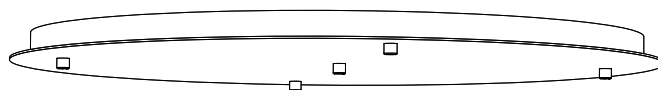
You can get more information about the maintenance of your product and warranty by scanning the following QR Code.



B CANOPY

Accessories

Instructions



CDMX

Aristóteles 127
Polanco IV Sección Miguel Hidalgo
11550 CDMX, México

+52 555 087 2443

PUEBLA

Callejón del Cristo 2 Int. 6 A
Col. San José del Puente
72150 Puebla, Pue, México

+52 222 688 8442

Indoor Use

bandidostudio.com

Bandido



Handle with care, fragile materials.



Structural reinforcement is recommended for drywall ceilings or other similar finishes.

INSTALLATION GUIDE

Circular Canopy

We suggest that any electrical work be performed by a qualified specialist.



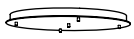
CAUTION: Turn off the power supply before executing any electrical installation.



This instruction manual applies to the following circular canopy sizes: 47.5 CM, 64 CM, 85 CM y 120 CM.

Included Parts:

- The amount of materials required depends on the dimensions of the canopy to be installed.
- The wall plugs are designed specifically for concrete slabs.



Canopy
1x



Wall plugs
(According to Canopy)



Cross bar
1x



Screw
(According to Canopy)



Connector
1x



Fastener
(According to Canopy)



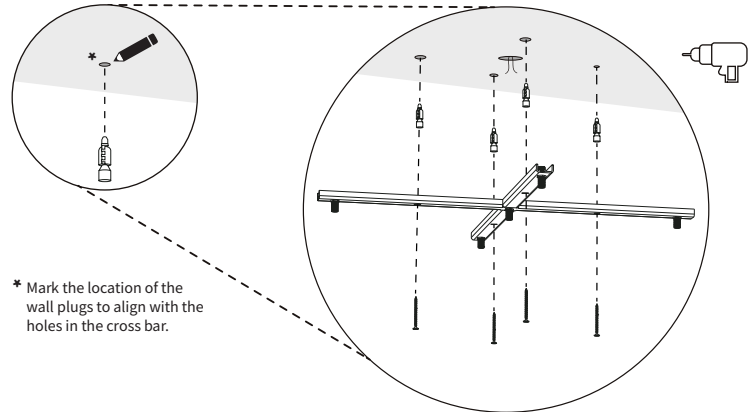
Cable holder "8"
(Based on the number of lights)



Safety knot
(Based on the number of lights. Applies only to DUO)

1 Install wall plugs to secure the cross bar and complete the electrical installation.

(Reference canopy size: 64 CM)



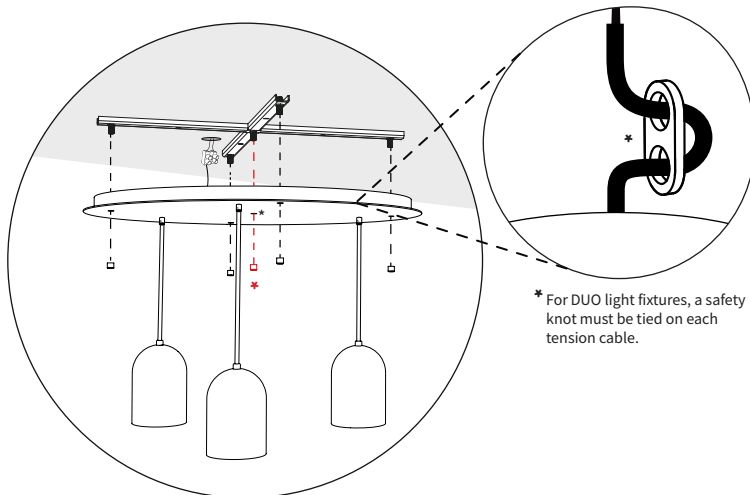
* Mark the location of the wall plugs to align with the holes in the cross bar.

It is recommended that the installation be done by two people.



2 Fix the canopy to the cross bar.

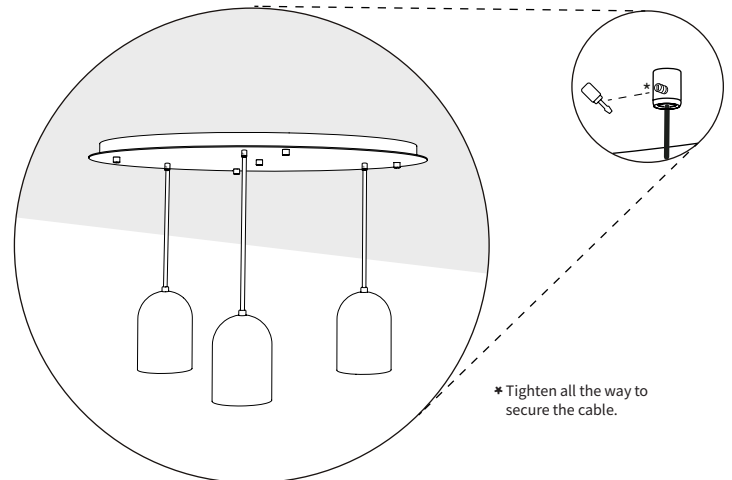
* Secure the canopy by screwing in the center fastener.



* For DUO light fixtures, a safety knot must be tied on each tension cable.

* Level and adjust the canopy by adjusting the fasteners.

3 Adjust the cable clamp.



* Tighten all the way to secure the cable.



Handle with care, fragile materials.



Structural reinforcement is recommended for drywall ceilings or other similar finishes.