

Bandido creates products that generate harmony and warmth in each space where they are present. We hope you enjoy your new product and exceeds all your expectations.

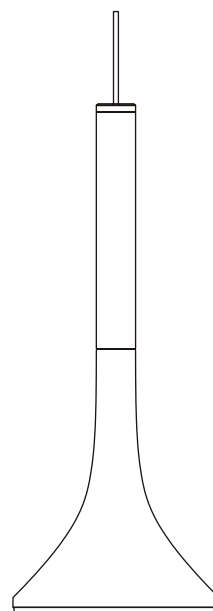
You can get more information about the maintenance of your product and warranty by scanning the following QR Code.



B AURA

Pendant Lamp

Instructions



CDMX

Aristóteles 127
Polanco IV Sección Miguel Hidalgo
11550 CDMX, México

+52 555 087 2443

PUEBLA

Callejón del Cristo 2 Int. 6 A
Col. San José del Puente
72150 Puebla, Pue, México

+52 222 688 8442

bandidostudio.com

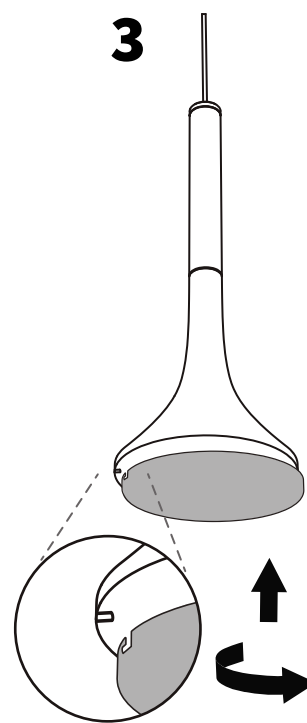
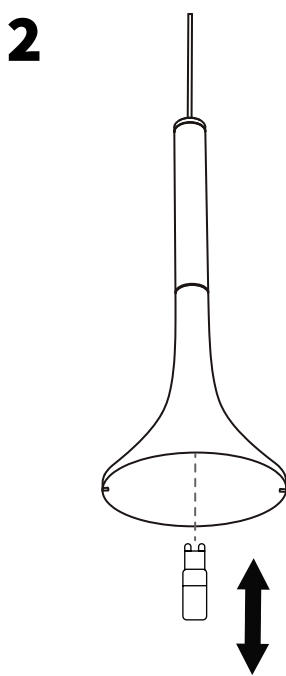
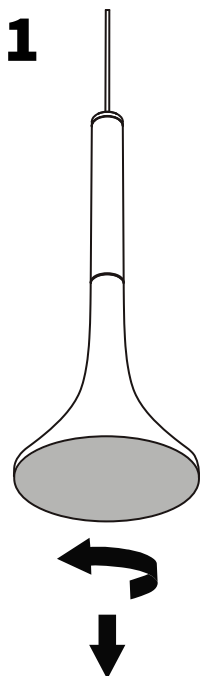
Light Source


6 W G9 LED 600 lm
120 - 127 V - 60 Hz 0.07-0.05 A
2700 K
Included


Indoor Use

Bandido

BULB REPLACEMENT



 Handle with care, fragile materials.

 Use only LED bulbs.

INSTALLATION GUIDE

Pendant Lamp



CAUTION: Turn off the power supply before executing any electrical installation.

We suggest that any electrical work be performed by a qualified specialist.

Included Parts:



Canopy
1x



G9 bulb
1x



Mounting Kit
1x



Connector
1x



Wall plug
2x

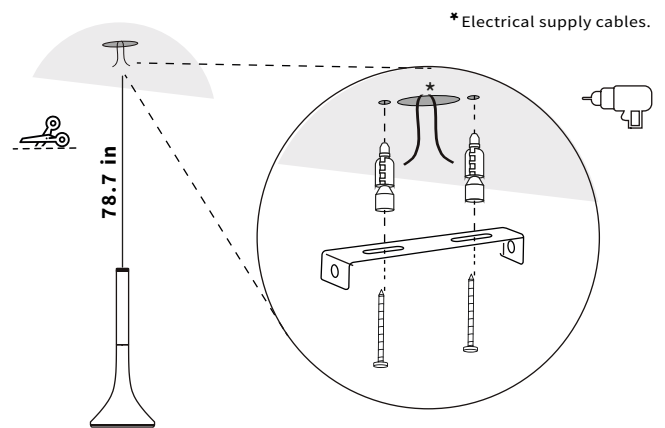


Cable Holder "8"
1x

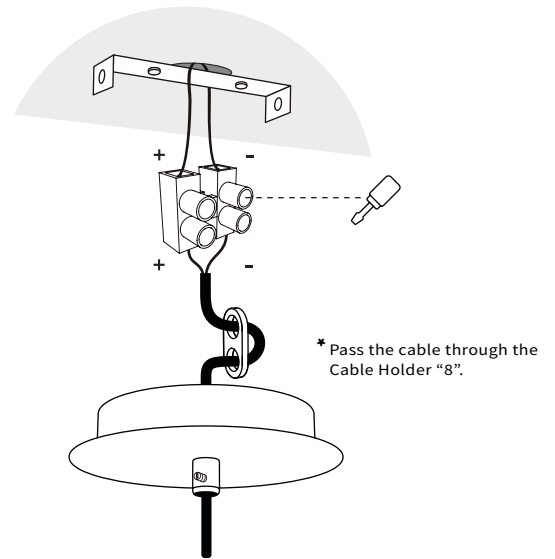


Screw
2x

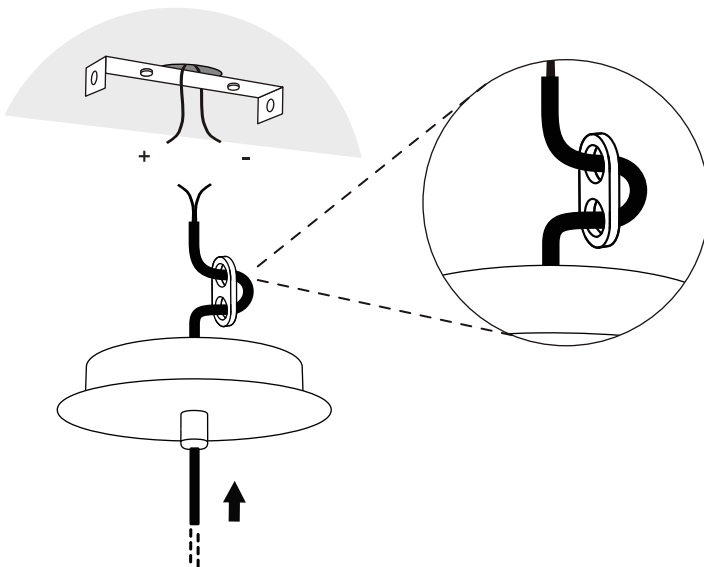
1 Cut the cable to the desired length. Install the wall plugs and fix the light crossbar to the ceiling.



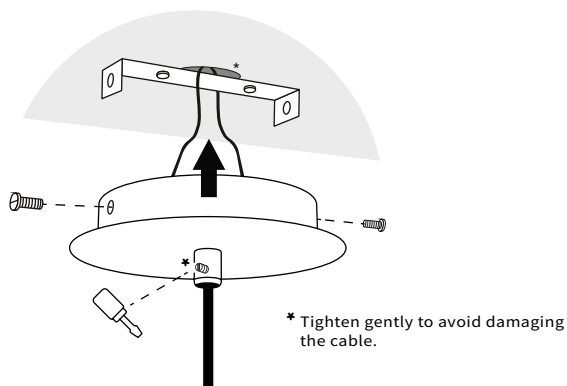
3 Connect + to + and - to - using the connector.



2 Pass the canopy through the cable.



4 Secure the canopy to the ceiling.



Handle with care, fragile materials.