

LUZ

SOMBRA

Bandido

Bandido creates products that generate harmony and warmth in each space where they are present. We hope you enjoy your new product and exceeds all your expectations.

You can get more information about the maintenance of your product and warranty by scanning the following QR Code.

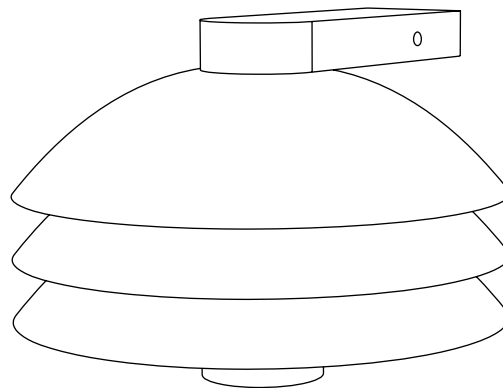


B

AXIS

Sconce Lamp

Instructions



CDMX

Aristóteles 127
Polanco IV Sección Miguel Hidalgo
11550 CDMX, México

+52 555 087 2443

PUEBLA

Callejón del Cristo 2 Int. 6 A
Col. San José del Puente
72150 Puebla, Pue, México

+52 222 688 8442

Light Source

6 W G9 LED 600 lm
120 - 127 V ~ 60 Hz 0.07 - 0.05 A
2700 K
Included

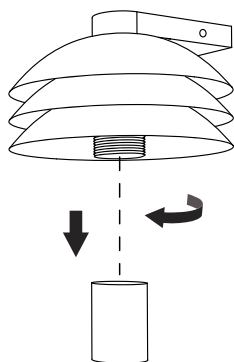
Indoor Use

bandidostudio.com

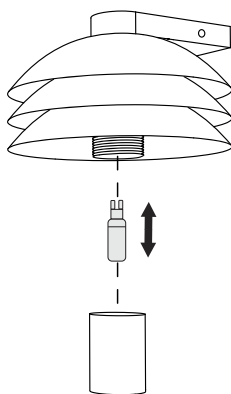
Bandido

BULB REPLACEMENT

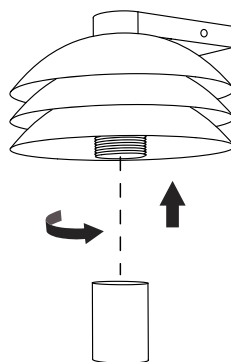
1



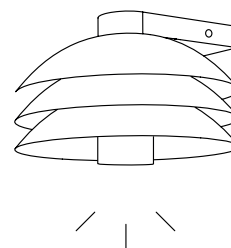
2



3



4



Handle with care, fragile materials.



Use only LED bulbs.

INSTALLATION GUIDE

Scence Lamp

We suggest that any electrical work be performed by a qualified specialist.










CAUTION: Turn off the power supply before executing any electrical installation.

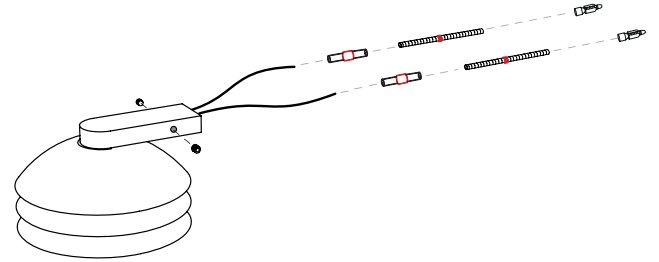


Structural reinforcement is recommended for walls and ceilings made of drywall or other similar finishes.

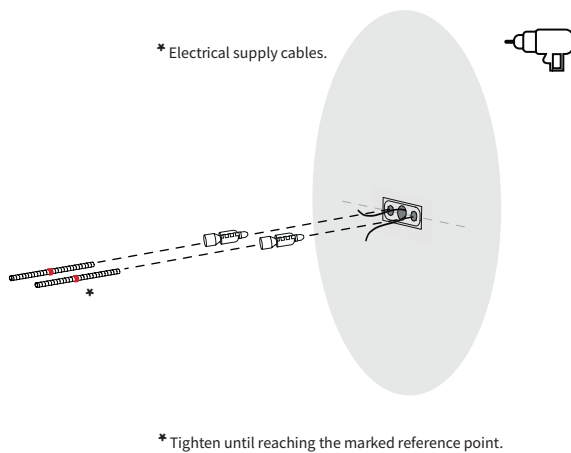
Included Parts:

- | | | | |
|---|--------------------|---|---------------------|
|  | G9 bulb
1x |  | Thermofit
2x |
|  | Wall plugs
2x |  | Sujetador "8"
1x |
|  | Allen key
1x |  | Connector
1x |
|  | Support bars
2x | | |

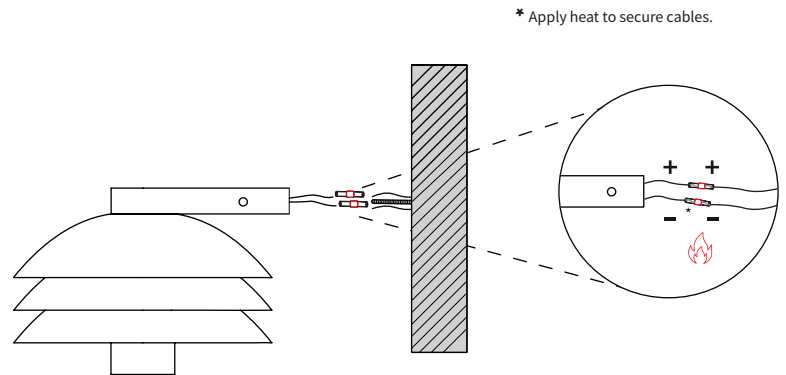
GENERAL INSTALLATION DIAGRAM



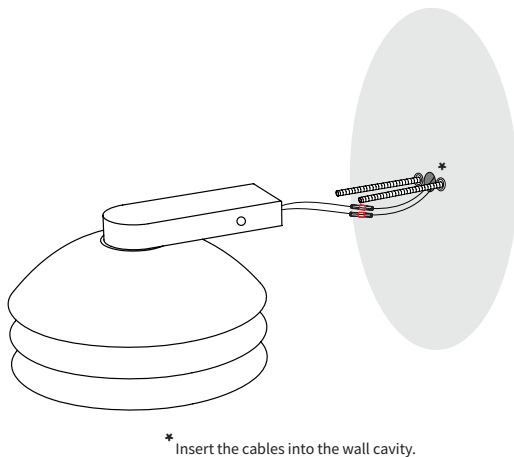
1 Install the wall plugs. Before drilling, mark the screw locations according to the **Fixing Template** and ensure they are horizontally aligned.



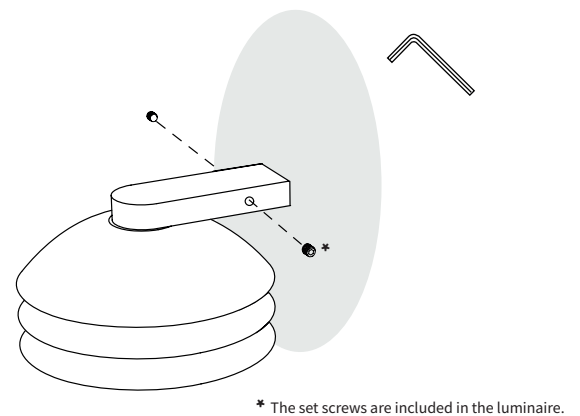
2 Connect + to + and - to - using the thermofit.



3 Insert the luminaire into the support bars.



4 Secure the luminaire by tightening the set screws using the Allen key until properly fixed.



Handle with care, fragile materials.

Bandido creates products that generate harmony and warmth in each space where they are present. We hope you enjoy your new product and exceeds all your expectations.

You can get more information about the maintenance of your product and warranty by scanning the following QR Code.

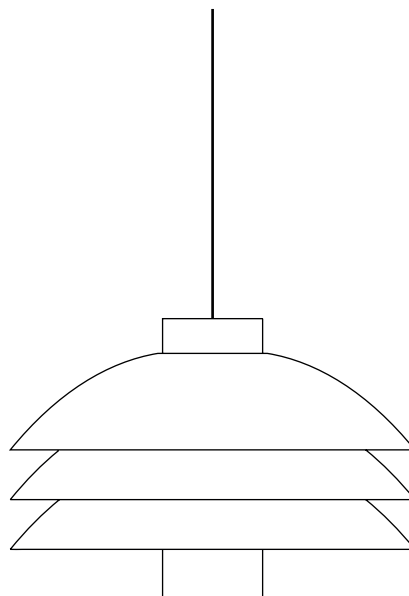


B

AXIS

Pendant Lamp

Instructions



CDMX

Aristóteles 127
Polanco IV Sección Miguel Hidalgo
11550 CDMX, México

+52 555 087 2443

PUEBLA

Callejón del Cristo 2 Int. 6 A
Col. San José del Puente
72150 Puebla, Pue, México

+52 222 688 8442

Light Source

6 W G9 LED 600 lm
120 - 127 V ~ 60 Hz 0.07 - 0.05 A
2700 K
Included

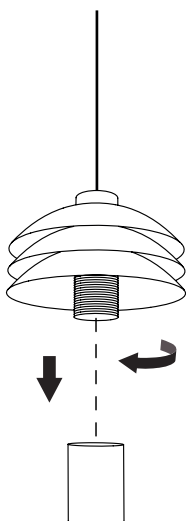
Indoor Use

bandidostudio.com

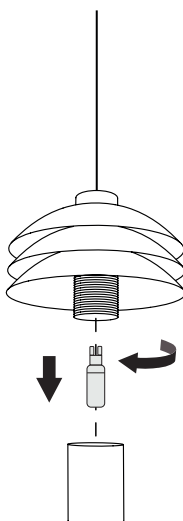
Bandido

BULB REPLACEMENT

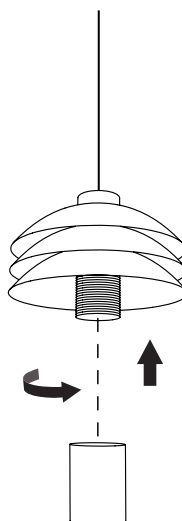
1



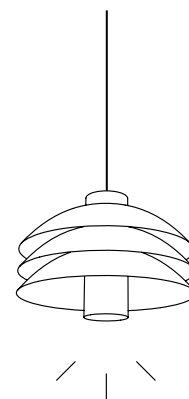
2




3



4



 Handle with care, fragile materials.

 Use only LED bulbs.

INSTALLATION GUIDE

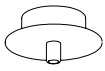
Pendant Lamp



CAUTION: Turn off the power supply before executing any electrical installation.

We suggest that any electrical work be performed by a qualified specialist.

Included Parts:



Canopy
1x



G9 bulb
1x



Mounting Kit
1x



Cable Holder "8"
1x



Wall plug
2x

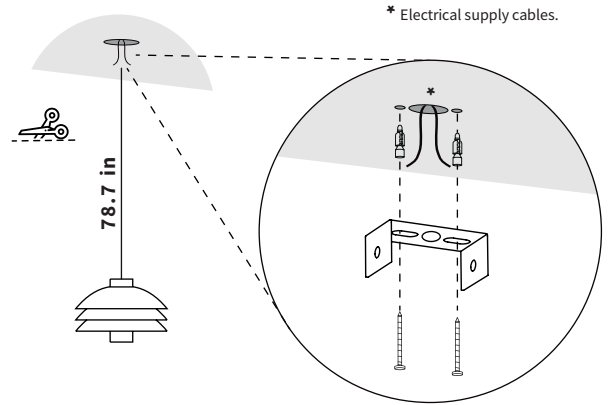


Connector
1x

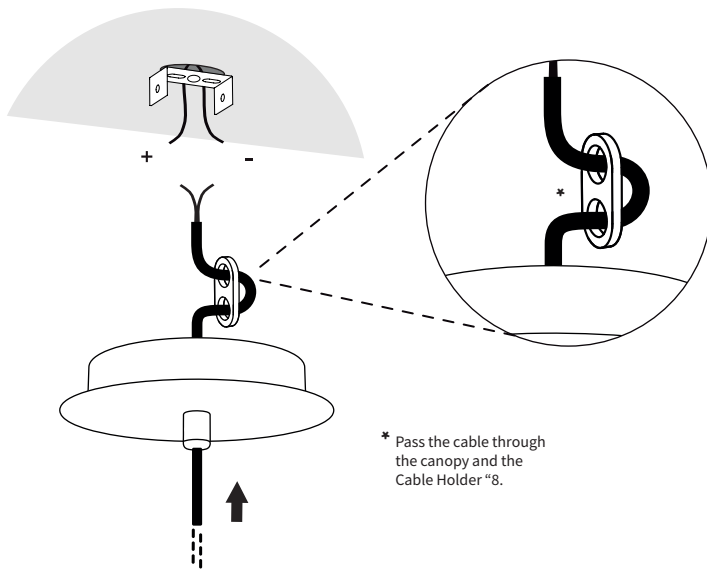


Screw
2x

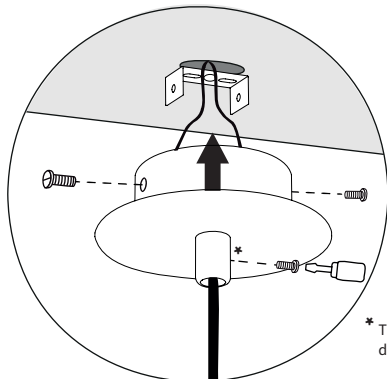
- 1** Cut the cable to the desired length. Install the wall plugs and fix the light crossbar to the ceiling.



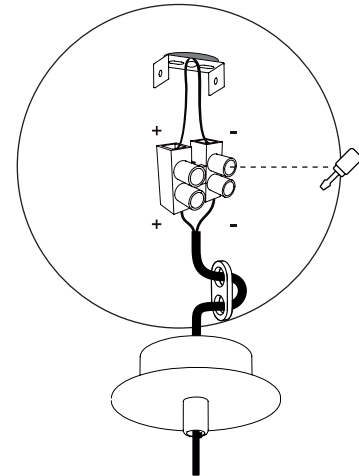
- 2** Pass the canopy and the Cable Holder "8" through the cable.



- 4** Sujeción de canope.



- 3** Connect + to + and - to - using the connector.



Handle with care, fragile materials.

Bandido creates products that generate harmony and warmth in each space where they are present. We hope you enjoy your new product and exceeds all your expectations.

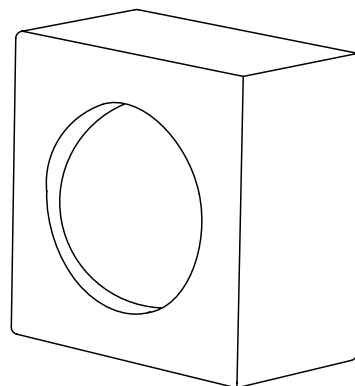
You can get more information about the maintenance of your product and warranty by scanning the following QR Code.



B CORE

Sconce Lamp

Instructions



CDMX

Aristóteles 127
Polanco IV Sección Miguel Hidalgo
11550 CDMX, México

+52 555 087 2443

PUEBLA

Callejón del Cristo 2 Int. 6 A
Col. San José del Puente
72150 Puebla, Pue, México

+52 222 688 8442

Light Source

2.5 W G9 LED COB 250 lm
120 - 127 V - 60 Hz 0.020 A
2700 K
Included

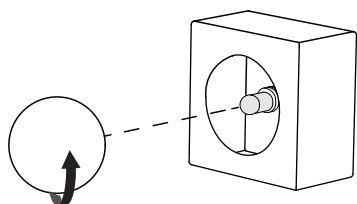
Indoor Use

bandidostudio.com

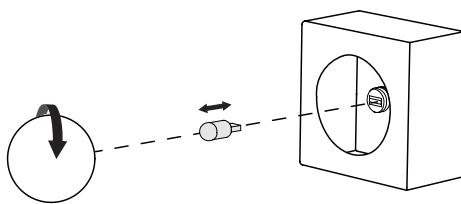
Bandido

BULB REPLACEMENT

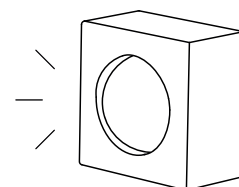
1




2



3



 Handle with care, fragile materials.

 Use only LED bulbs.

INSTALLATION GUIDE

Scence Lamp



CAUTION: Turn off the power supply before executing any electrical installation.

We suggest that any electrical work be performed by a qualified specialist.

Included Parts:



Glass diffuser
1x



Screw
2x



G9 bulb
2x



Cable Holder "8"
1x



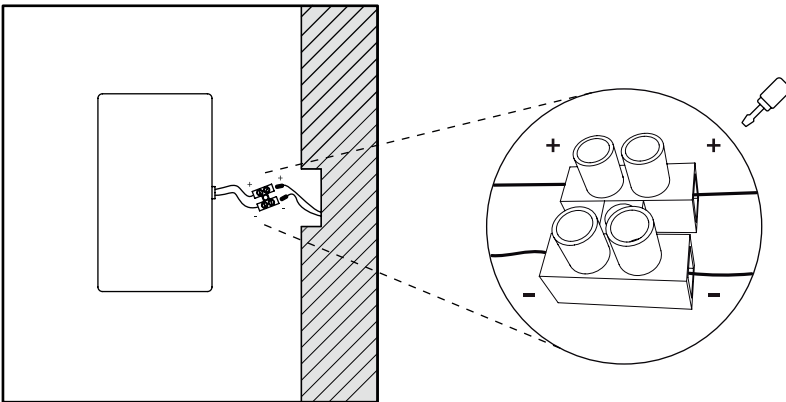
Wall Plug
2x



Connector
1x

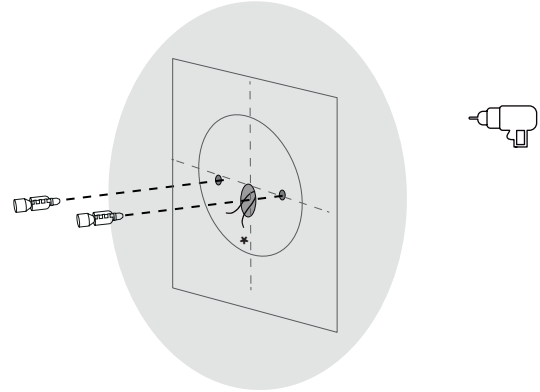
2

Connect + to + and - to - using the connector.



1

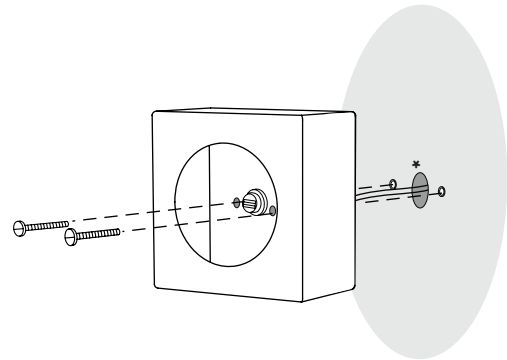
Placement of wall plugs. Before drilling, mark the drilling points according to the **Fixing template** and ensure they are correctly aligned.



* Electrical supply cables.

3

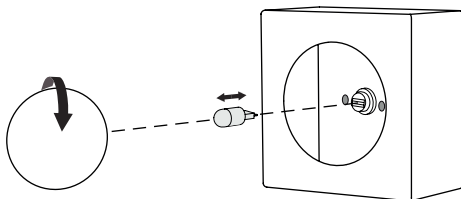
Fix the module to the wall.



*Place cables through the hole on wall.

4

Install the G9 bulb followed by the glass diffuser. Turn clockwise to secure.



Handle with care, fragile materials.

Bandido creates products that generate harmony and warmth in each space where they are present. We hope you enjoy your new product and exceeds all your expectations.

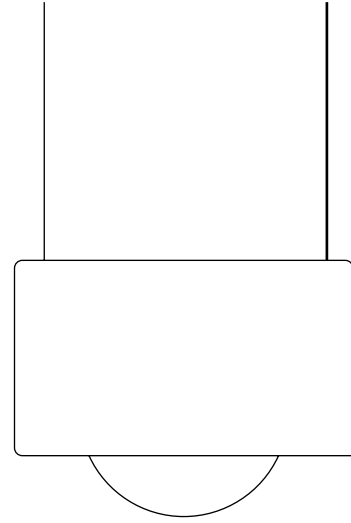
You can get more information about the maintenance of your product and warranty by scanning the following QR Code.



B CORE

Pendant Lamp

Instructions



CDMX

Aristóteles 127
Polanco IV Sección Miguel Hidalgo
11550 CDMX, México

+52 555 087 2443

PUEBLA

Callejón del Cristo 2 Int. 6 A
Col. San José del Puente
72150 Puebla, Pue, México

+52 222 688 8442

Light Source

2.5 W G9 LED COB 250 lm
120 - 127 V - 60 Hz 0.020 A
2700 K
Included

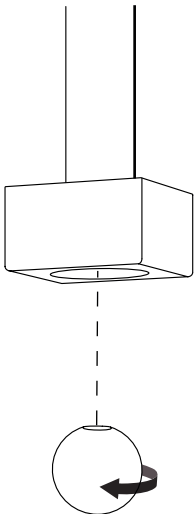
Indoor Use

bandidostudio.com

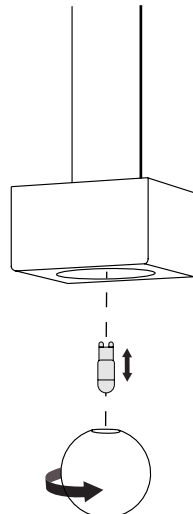
Bandido

BULB REPLACEMENT

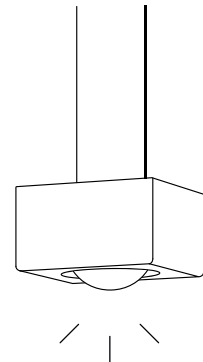
1





2



3



 Handle with care, fragile materials.

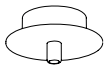
 Use only LED bulbs.

INSTALLATION GUIDE

Pendant Lamp

We suggest that any electrical work be performed by a qualified specialist.

Included Parts:



Canopy
1x



Glass diffuser
1x



Mounting Kit
1x



G9 bulb
1x



Wall Plug
3x



Cable Holder "8"
1x



Screw
3x



Connector
1x



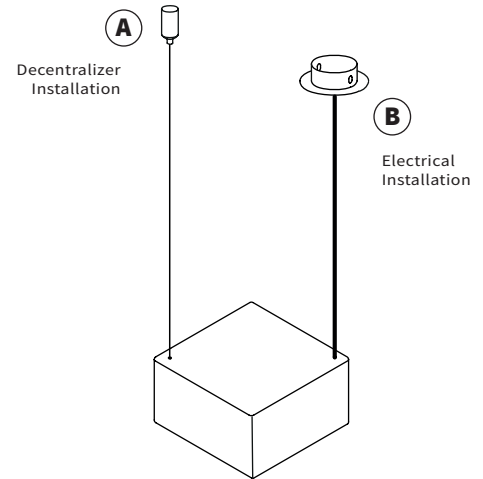
Decentralizer
1x



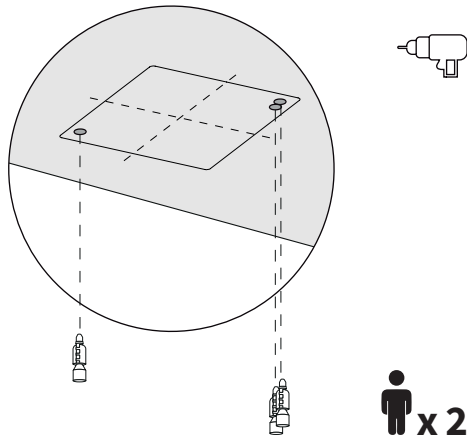
CAUTION: Turn off the power supply before executing any electrical installation.



Structural reinforcement is recommended for walls and ceilings made of drywall or other similar finishes.

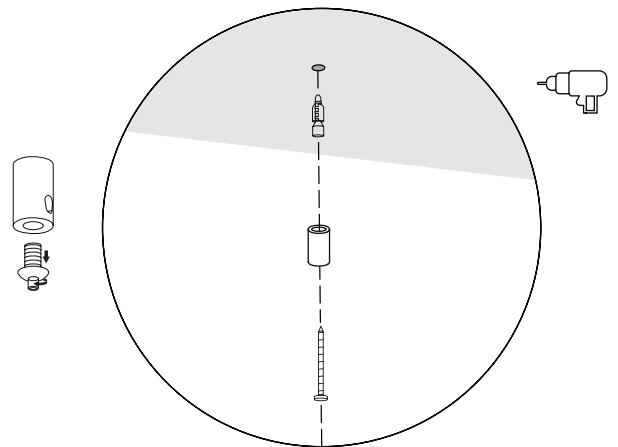


1A Placement of wall plugs. Before drilling, mark the drilling points according to the **Fixing template** and ensure they are correctly aligned.

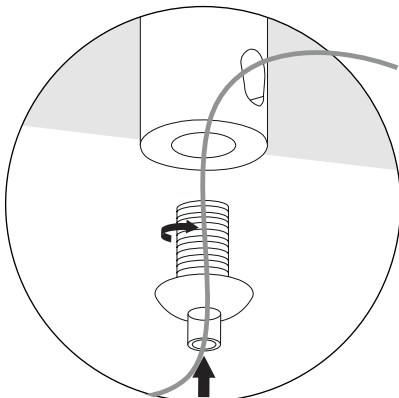


The installation should be done by two people.

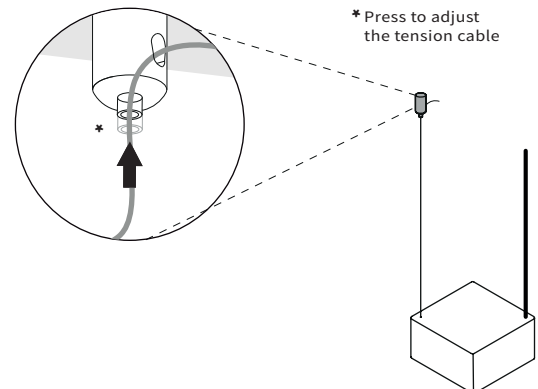
2A Fix the decentralizer.



3A Pass the tension cable through the decentralizer.



4A Level the luminaire and adjust to the desired height.



Handle with care, fragile materials.

B

INSTALLATION GUIDE

Pendant Lamp

We suggest that any electrical work be performed by a qualified specialist.



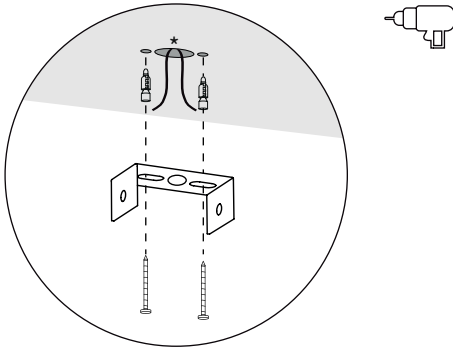
CAUTION: Turn off the power supply before executing any electrical installation.



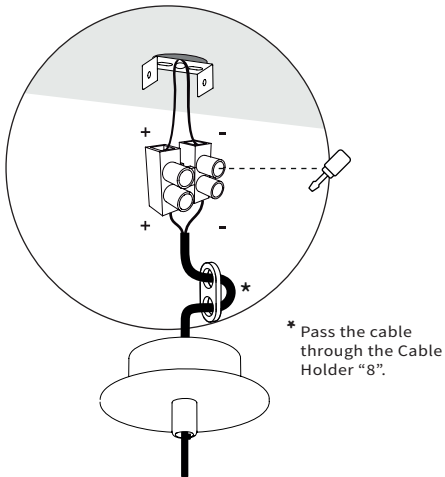
Structural reinforcement is recommended for walls and ceilings made of drywall or other similar finishes.

5B Fix the light crossbar.

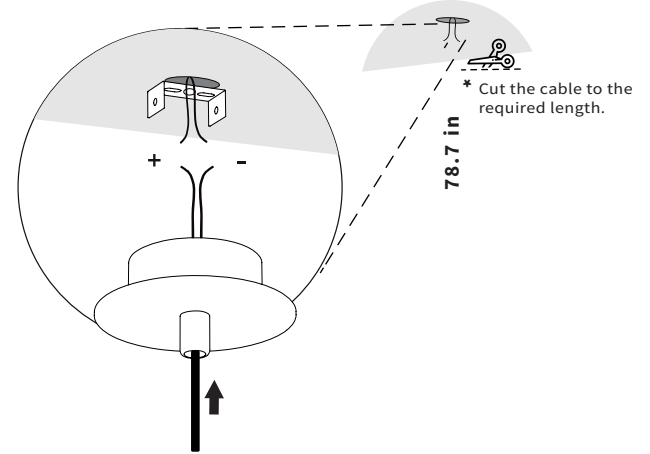
* Electrical supply cables.



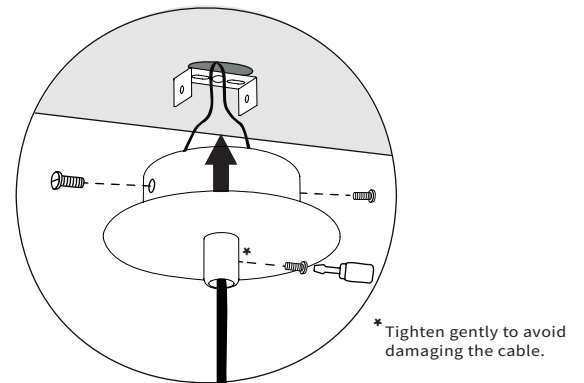
7B Connect + to + and - to - using the connector.



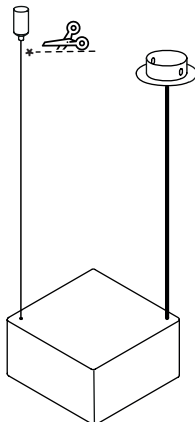
6B Pass the canopy through the cable.



8B Secure the canopy to the ceiling.



9A Cut the excess tension cable after completing the electrical connection.



Handle with care, fragile materials.

Bandido creates products that generate harmony and warmth in each space where they are present. We hope you enjoy your new product and exceeds all your expectations.

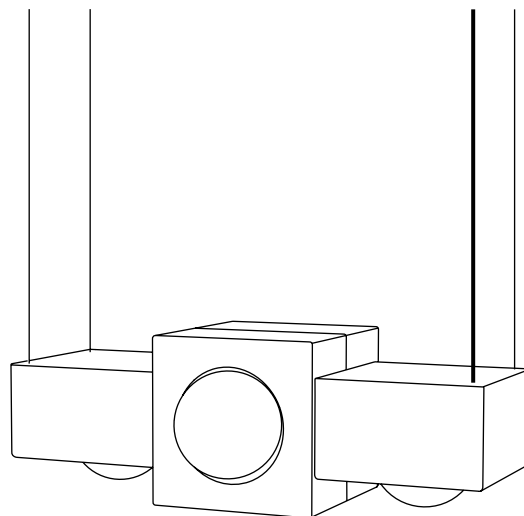
You can get more information about the maintenance of your product and warranty by scanning the following QR Code.



B CORE 40

Pendant Lamp

Instructions



CDMX

Aristóteles 127
Polanco IV Sección Miguel Hidalgo
11550 CDMX, México

+52 555 087 2443

PUEBLA

Callejón del Cristo 2 Int. 6 A
Col. San José del Puente
72150 Puebla, Pue, México

+52 222 688 8442

Light Source

4 x 2.5 W G9 LED COB 250 lm

120 - 127 V - 60 Hz 0.020 A

2700 K

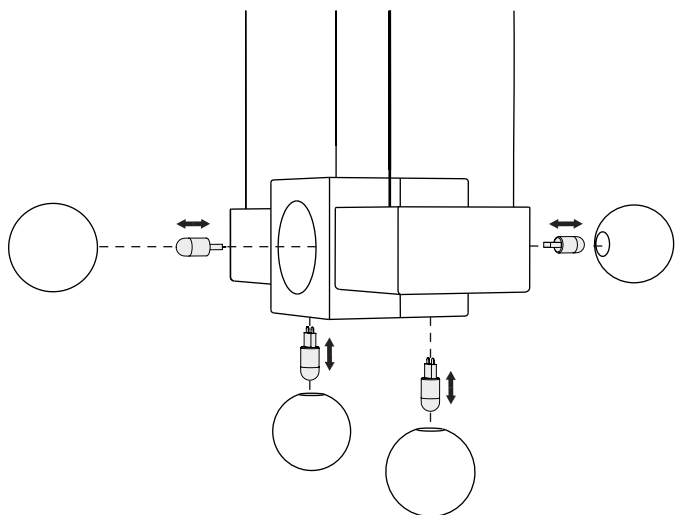
Included

Indoor Use

bandidostudio.com


Bandido

BULB REPLACEMENT



- 1** Unscrew the glass diffusers by turning them to the left.
- 2** Remove and install the light source.
- 3** Place the glass diffusers, turning them to the right.

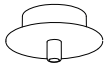

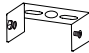
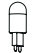




 Handle with care, fragile materials.

 Use only LED bulbs.

INSTALLATION GUIDE

Pendant Lamp

We suggest that any electrical work be performed by a qualified specialist.

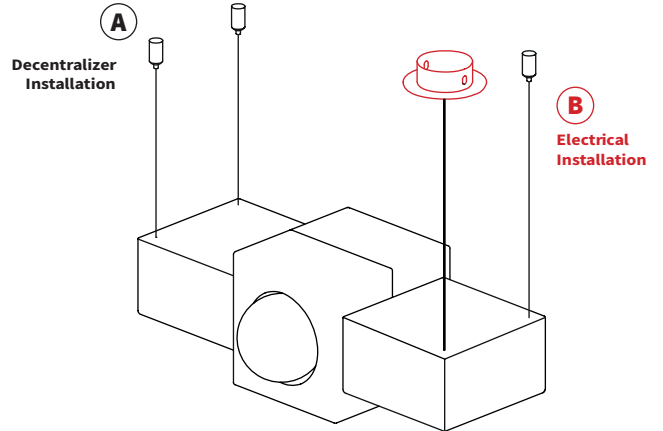
- | | | | |
|---|---------------------|---|------------------------|
|  | Canopy
1x |  | Diffuser
4x |
|  | Mounting Kit
1x |  | G9 Bulb
4x |
|  | Wall plug
5x |  | Cable Holder "8"
1x |
|  | Screw
5x |  | Connector
1x |
|  | Decentralizer
3x | | |



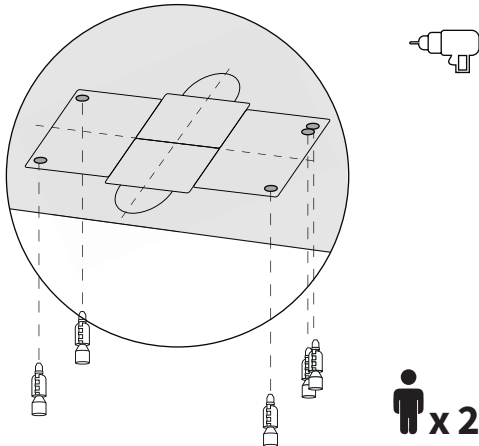
CAUTION: Turn off the power supply before executing any electrical installation.



Structural reinforcement is recommended for walls and ceilings made of drywall or other similar finishes.

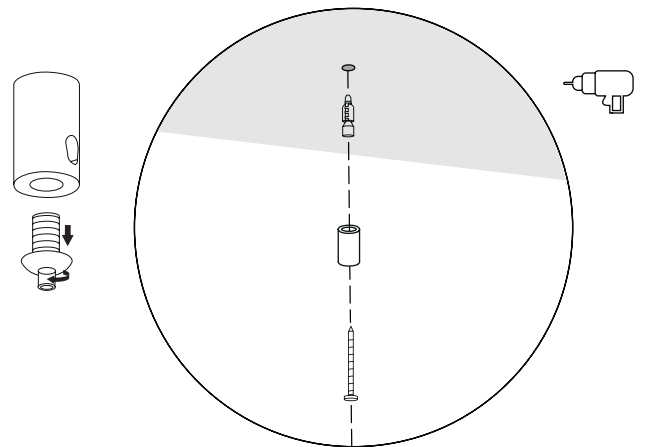


1A Placement of wall plugs. Before drilling, mark the location of the screws according to the **Fixing Template** and ensure that they are correctly aligned. Correctly align the plugs with the screws.

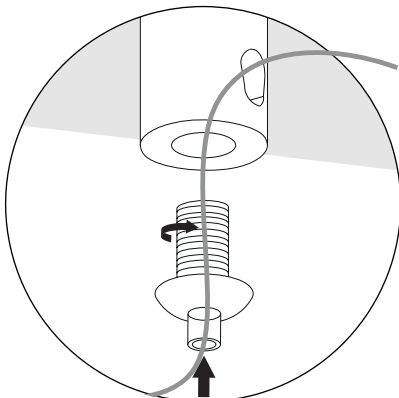


The installation should be done by two people

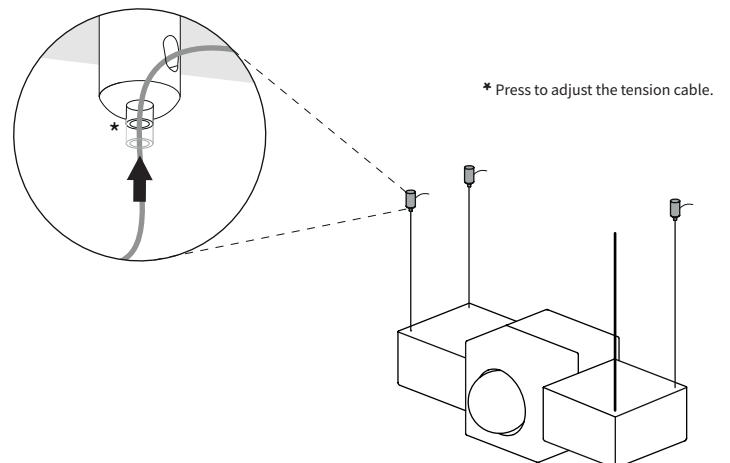
2A Fix the decentralizer.



3A Pass the tension cable through the decentralizer.



4A Level the luminaire and adjust to the desired height.



Handle with care, fragile materials.

B

INSTALLATION GUIDE

Pendant Lamp

We suggest that any electrical work be performed by a qualified specialist.



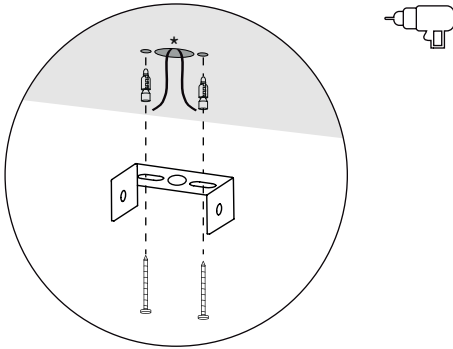
CAUTION: Turn off the power supply before executing any electrical installation.



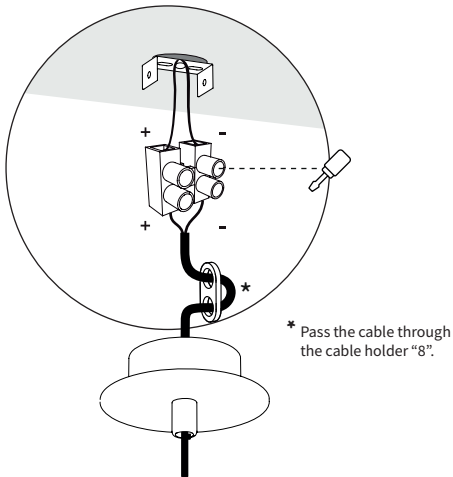
Structural reinforcement is recommended for walls and ceilings made of drywall or other similar finishes.

5B Fix the light crossbar.

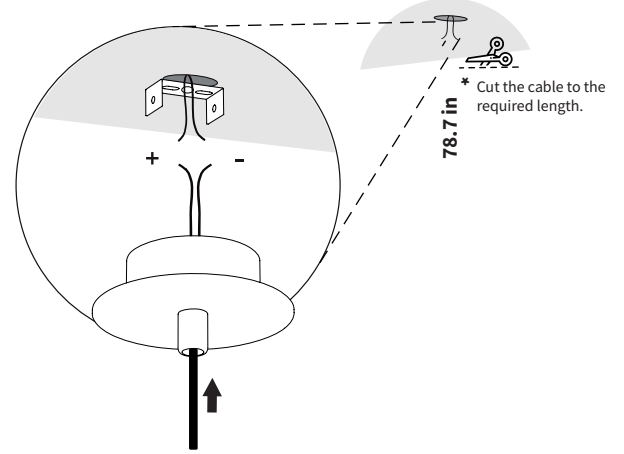
* Electrical supply cables.



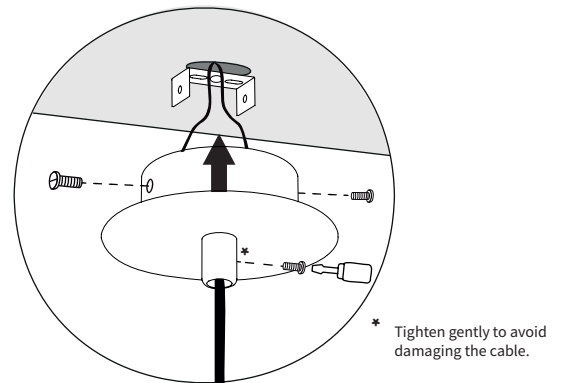
7B Connect + to + and - to - using the connector.



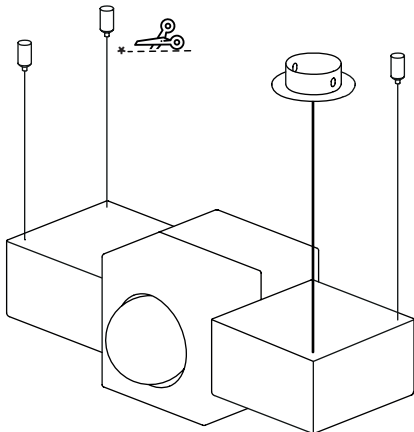
6B Pass the canopy through the cable.



8B Secure the canopy to the ceiling.



9A Cut the excess tension cable after completing the electrical connection.



Handle with care, fragile materials.

Bandido creates products that generate harmony and warmth in each space where they are present. We hope you enjoy your new product and exceeds all your expectations.

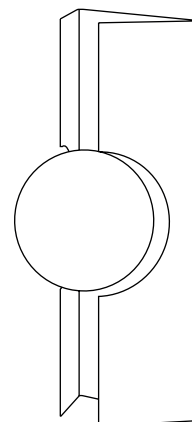
You can get more information about the maintenance of your product and warranty by scanning the following QR Code.



B FLUX

Sconce Lamp

Instructions



CDMX

Aristóteles 127
Polanco IV Sección Miguel Hidalgo
11550 CDMX, México

+52 555 087 2443

PUEBLA

Callejón del Cristo 2 Int. 6 A
Col. San José del Puente
72150 Puebla, Pue, México

+52 222 688 8442

Light Source

2.5 W G9 LED COB 250 lm
120 - 127 V - 60 Hz 0.020 A
2700 K
Included

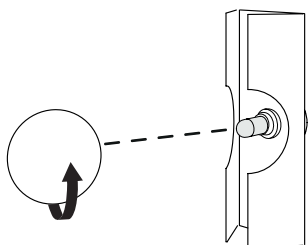
Indoor Use

bandidostudio.com

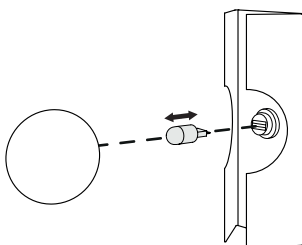
Bandido

BULB REPLACEMENT

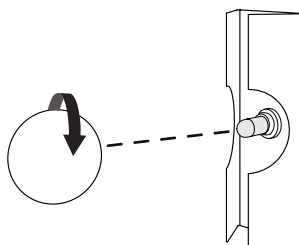
1



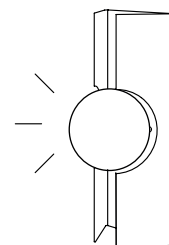
2



3



4



Handle with care, fragile materials.



Use only LED bulbs.

INSTALLATION GUIDE

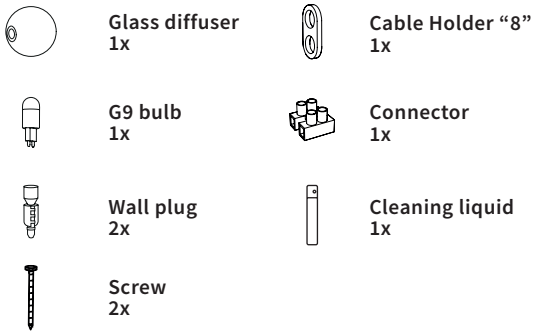
Score Lamp



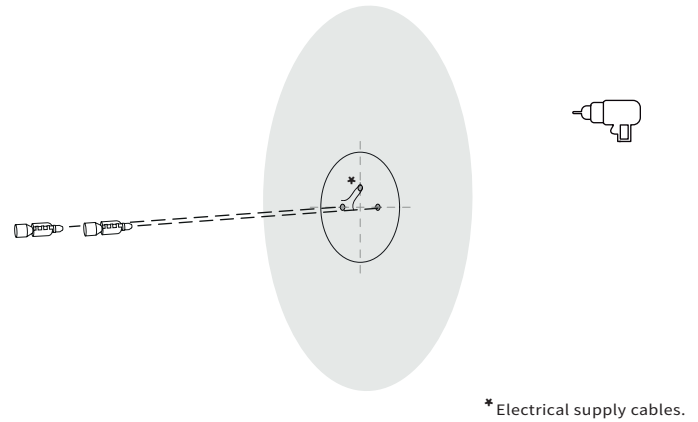
CAUTION: Turn off the power supply before executing any electrical installation.

We suggest that any electrical work be performed by a qualified specialist.

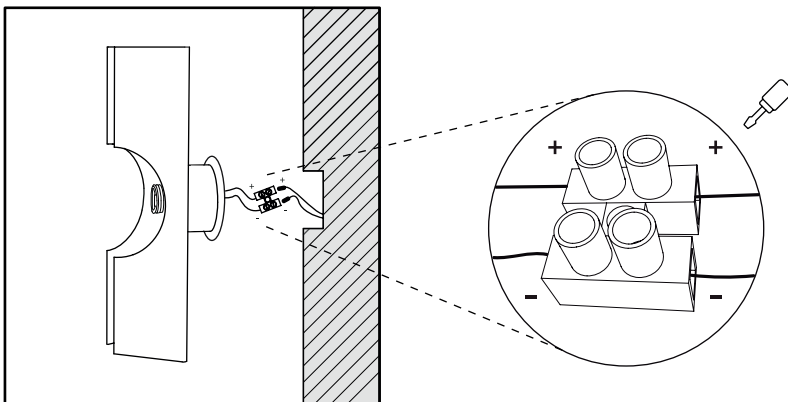
Included Parts:



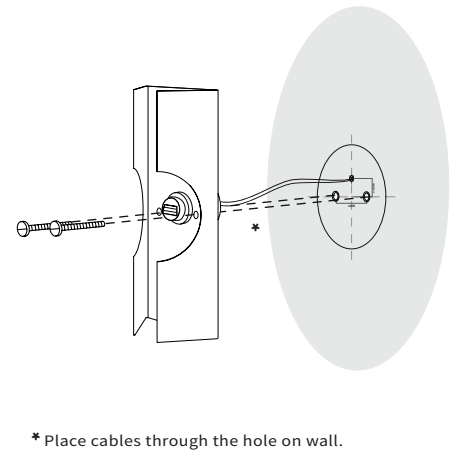
1 Placement of wall plugs. Before drilling, mark the drilling points according to the **Fixing template** and ensure they are correctly aligned.



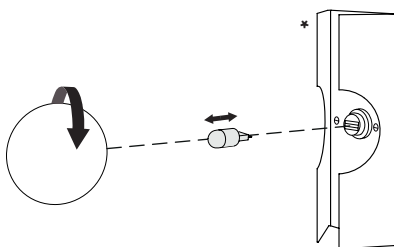
2 Connect + to + and - to - using the connector.



3 Fix the module to the wall.



4 Install the G9 bulb followed by the glass diffuser.
Turn clockwise to secure.



* Remove the protective film and clean any stains using the included cleaning liquid.



Handle with care, fragile materials.

Bandido creates products that generate harmony and warmth in each space where they are present. We hope you enjoy your new product and exceeds all your expectations.

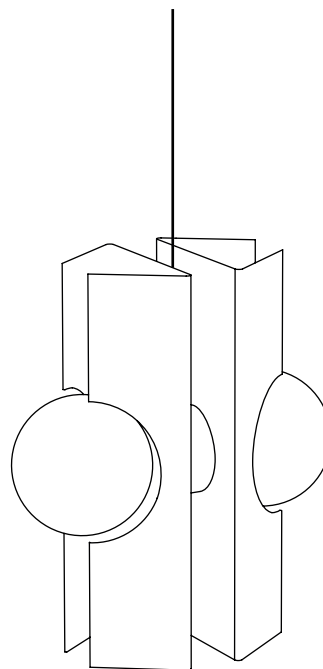
You can get more information about the maintenance of your product and warranty by scanning the following QR Code.



B FLUX

Pendant Lamp

Instructions



CDMX

Aristóteles 127
Polanco IV Sección Miguel Hidalgo
11550 CDMX, México

+52 555 087 2443

PUEBLA

Callejón del Cristo 2 Int. 6 A
Col. San José del Puente
72150 Puebla, Pue, México

+52 222 688 8442

Light Source

2 x 2.5 W G9 LED COB 250 lm

120 - 127 V - 60 Hz 0.020 A

2700 K

Included

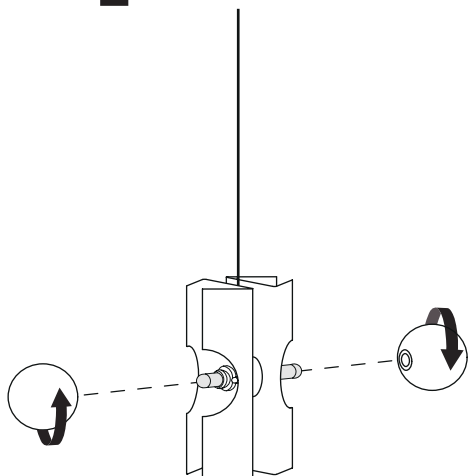
Indoor Use

bandidostudio.com

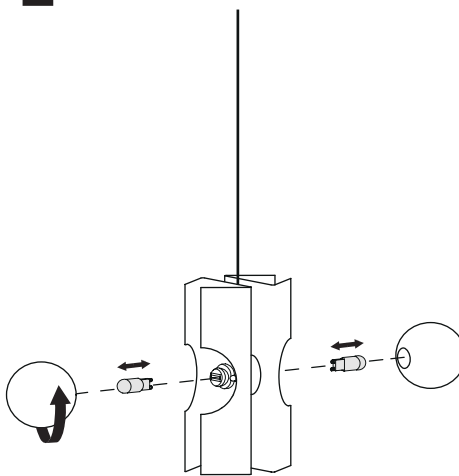
Bandido

BULB REPLACEMENT

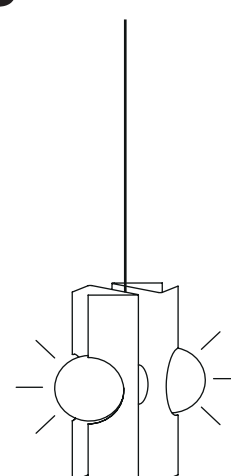
1



2



3



Handle with care, fragile materials.



Use only LED bulbs.

INSTALLATION GUIDE

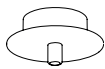
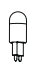
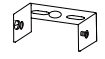
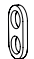




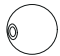
Pendant Lamp



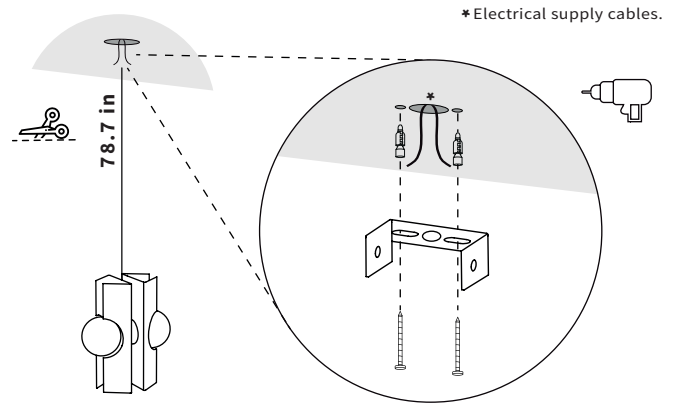
CAUTION: Turn off the power supply before executing any electrical installation.

We suggest that any electrical work be performed by a qualified specialist.

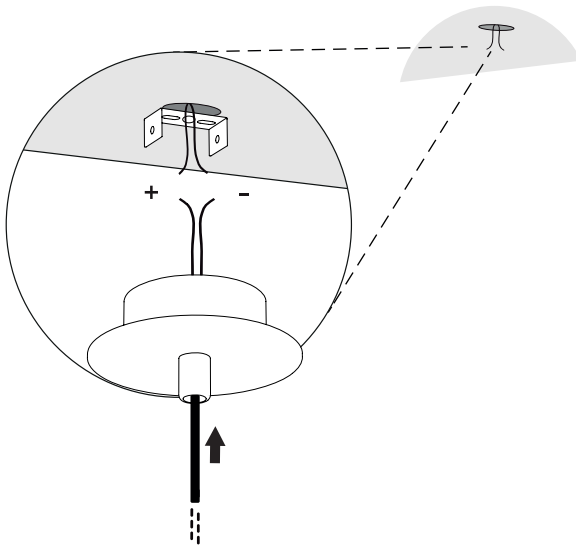
Included Parts:

- | | | | |
|---|----------------------|---|------------------------|
|  | Canopy
1x |  | G9 bulb
2x |
|  | Mounting kit
1x |  | Cable Holder "8"
1x |
|  | Wall plug
2x |  | Connector
1x |
|  | Screw
2x |  | Cleaning liquid
1x |
|  | Glass diffuser
2x | | |

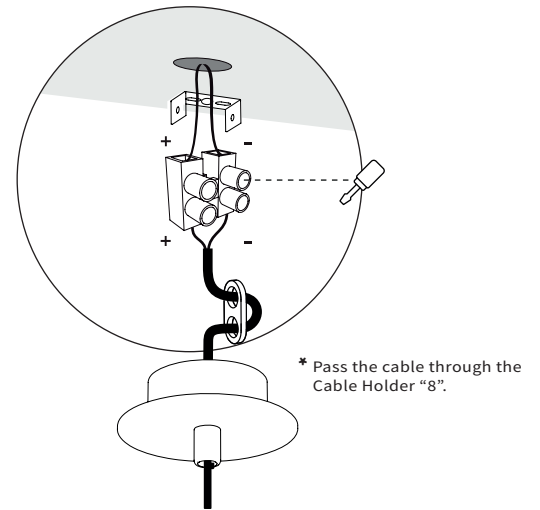
1 Cut the cable to the desired length. Install the wall plugs and fix the light crossbar to the ceiling.



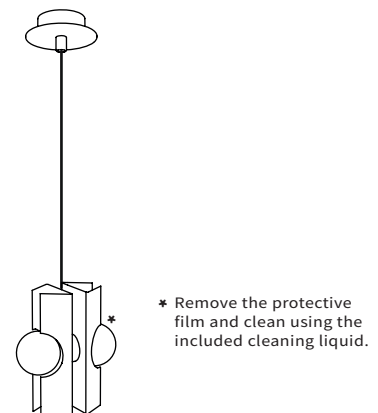
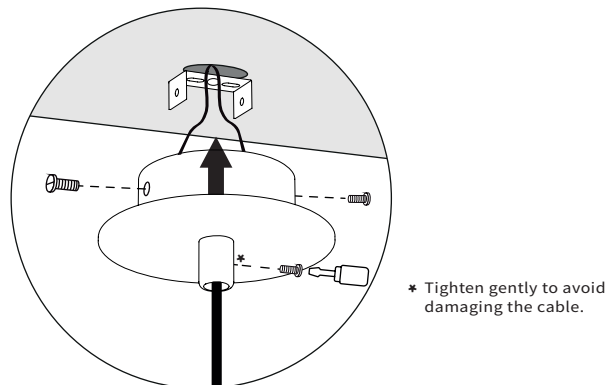
2 Pass the canopy through the cable.



3 Connect + to + and - to - using the connector.



4 Secure the canopy to the ceiling.



Handle with care, fragile materials.

Bandido creates products that generate harmony and warmth in each space where they are present. We hope you enjoy your new product and exceeds all your expectations.

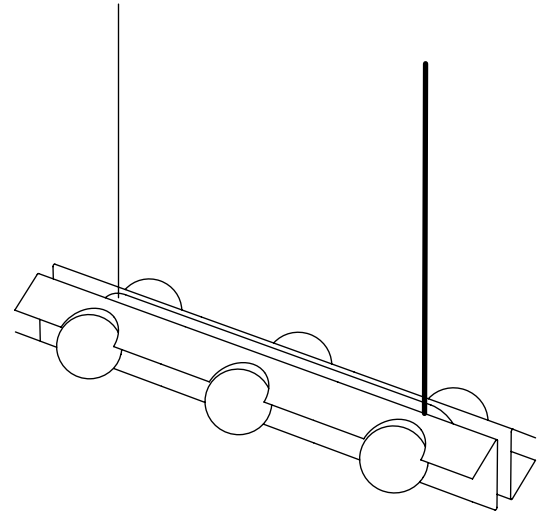
You can get more information about the maintenance of your product and warranty by scanning the following QR Code.



B FLUX 70

Pendant Lamp

Instructions



CDMX

Aristóteles 127
Polanco IV Sección Miguel Hidalgo
11550 CDMX, México

+52 555 087 2443

PUEBLA

Callejón del Cristo 2 Int. 6 A
Col. San José del Puente
72150 Puebla, Pue, México

+52 222 688 8442

Light Source

6 x 2.5 W G9 LED COB 250 lm
120 - 127 V - 60 Hz 0.020 A
2700 K

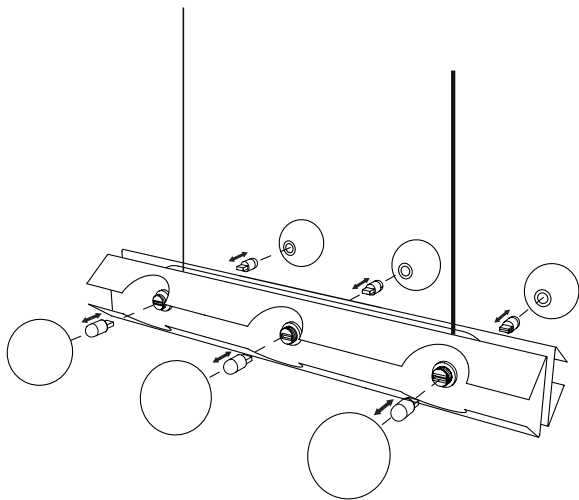
Included

Indoor Use

bandidostudio.com


Bandido

BULB REPLACEMENT



- 1** Unscrew the glass diffusers by turning them counter clockwise.
- 2** Remove the bulb and insert the replacement.
- 3** Reinstall the glass diffusers by turning them clockwise.

 Handle with care, fragile materials.

 Use only LED bulbs.

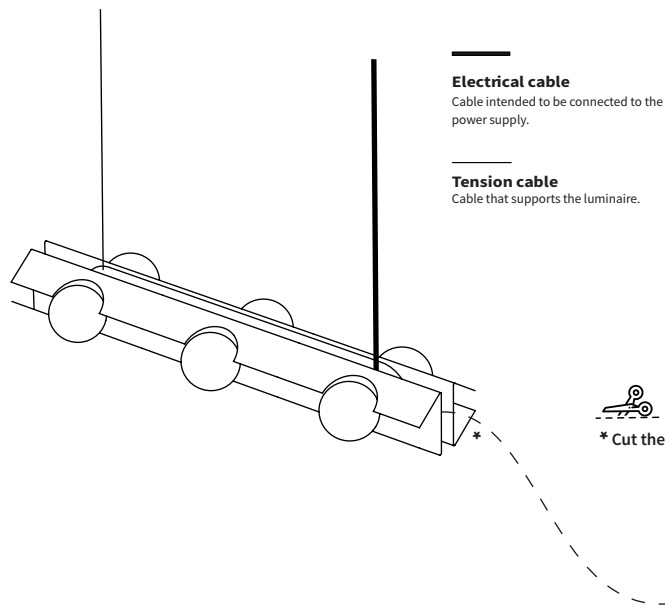
CONFIGURATION POSSIBILITIES

Pendant Lamp

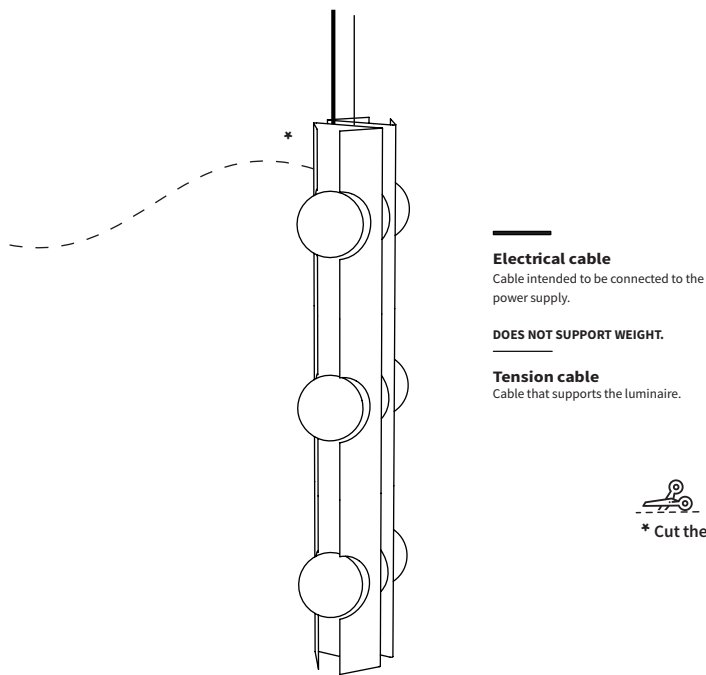
We suggest that any electrical work be performed by a qualified specialist.

Included Parts:

1 Horizontal



2 Vertical



CAUTION: Turn off the power supply before executing any electrical installation.



Structural reinforcement is recommended for walls and ceilings made of drywall or other similar finishes.



Handle with care, fragile materials.



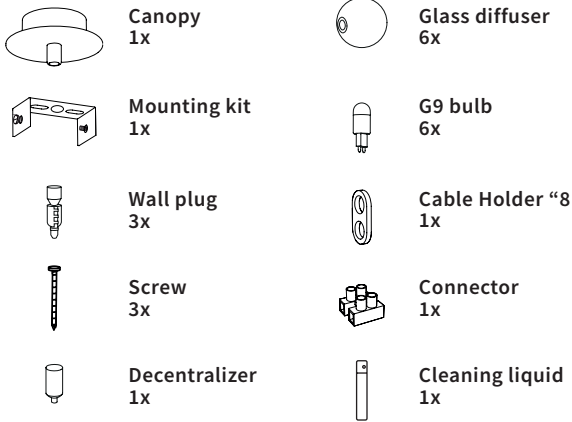
Use only LED bulbs.


INSTALLATION GUIDE


Pendant Lamp - Horizontal Configuration

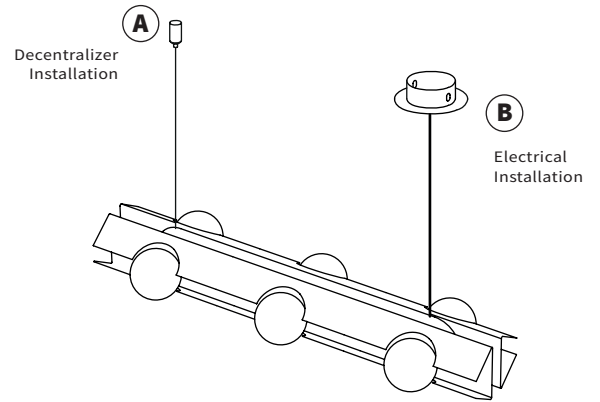
We suggest that any electrical work be performed by a qualified specialist.

Included Parts:

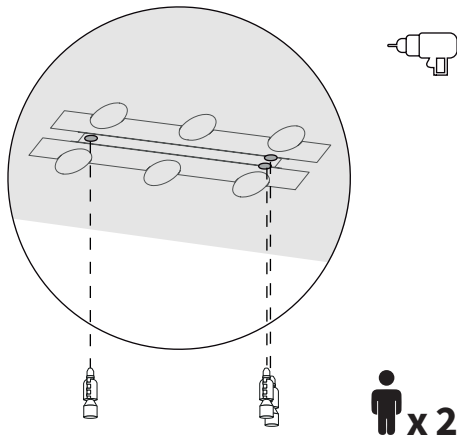


 **CAUTION: Turn off the power supply before executing any electrical installation.**

 **Structural reinforcement is recommended for walls and ceilings made of drywall or other similar finishes.**

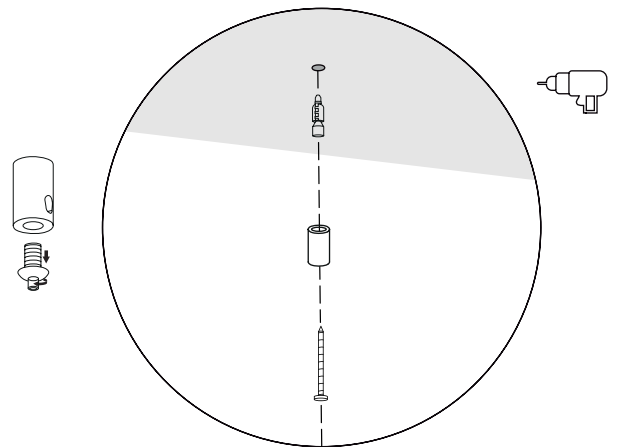


1A Placement of wall plugs. Before drilling, mark the drilling points according to the **Fixing template** and ensure they are correctly aligned.

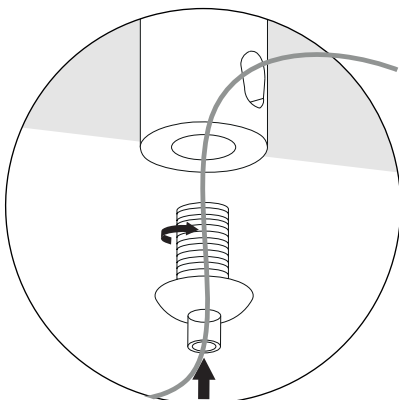


The installation should be done by two people.

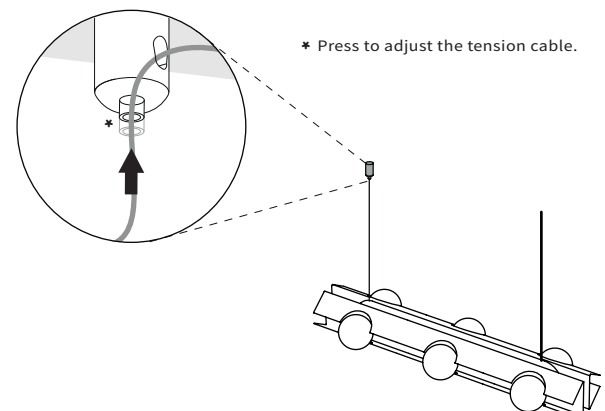
2A Fix the decentralizer.



3A Pass the tension cable through the decentralizer.



4A Level the luminaire and adjust to the desired height.



 **Handle with care, fragile materials.**

INSTALLATION GUIDE

Pendant Lamp - Horizontal Configuration

We suggest that any electrical work be performed by a qualified specialist.



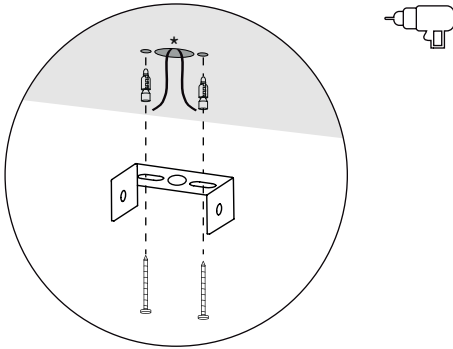
CAUTION: Turn off the power supply before executing any electrical installation.



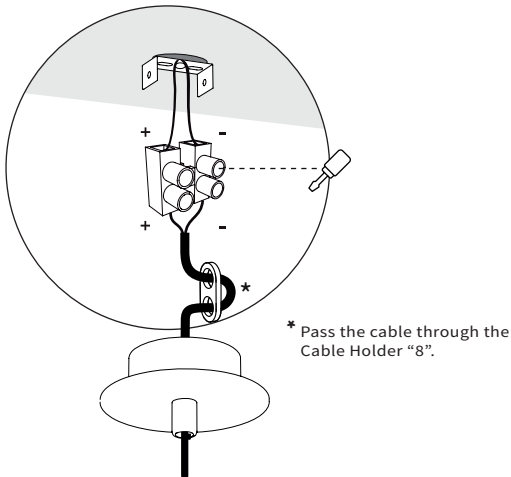
Structural reinforcement is recommended for walls and ceilings made of drywall or other similar finishes.

5B Fix the light crossbar.

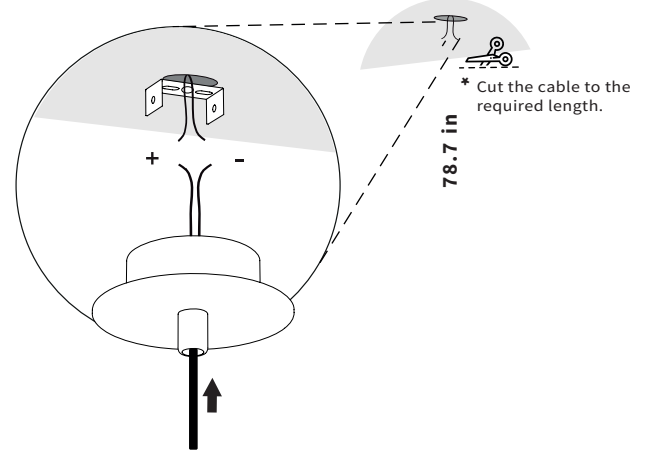
* Electrical supply cables.



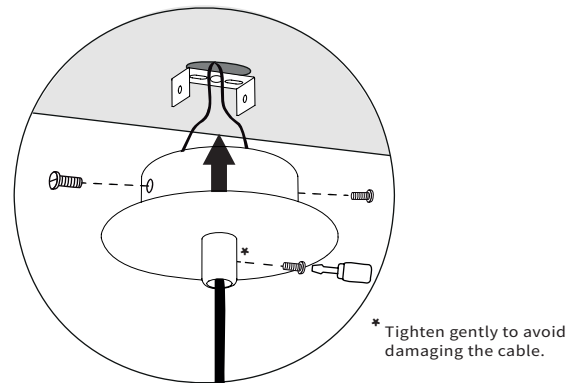
7B Connect + to + and - to - using the connector.



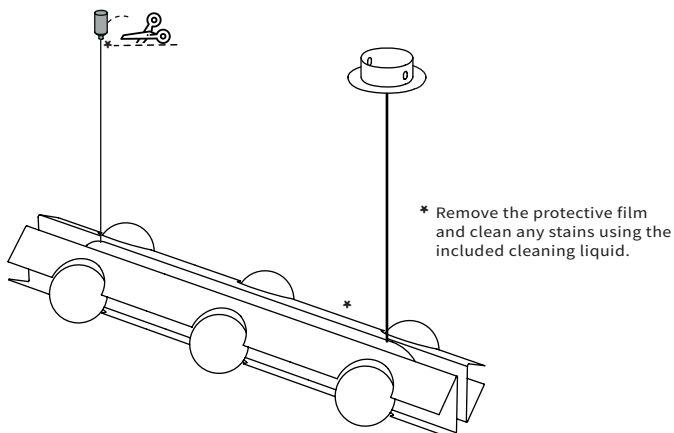
6B Pass the canopy through the cable.



8B Secure the canopy to the ceiling.



9A Cut the excess tension cable after completing the electrical connection.



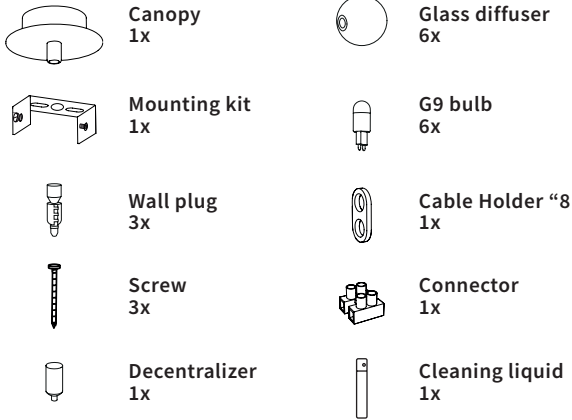
Handle with care, fragile materials.

INSTALLATION GUIDE

Pendant Lamp - Vertical Configuration

We suggest that any electrical work be performed by a qualified specialist.

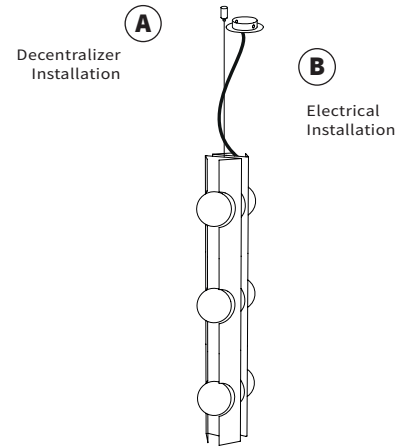
Included Parts:



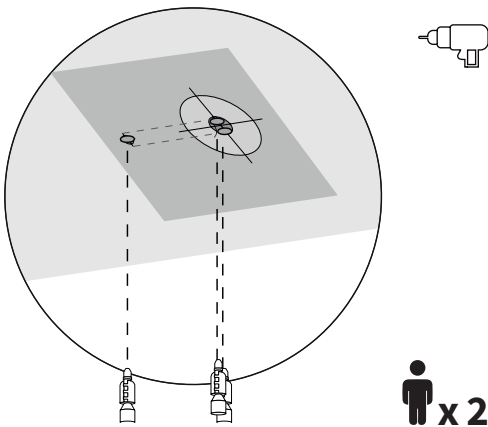
CAUTION: Turn off the power supply before executing any electrical installation.



Structural reinforcement is recommended for walls and ceilings made of drywall or other similar finishes.

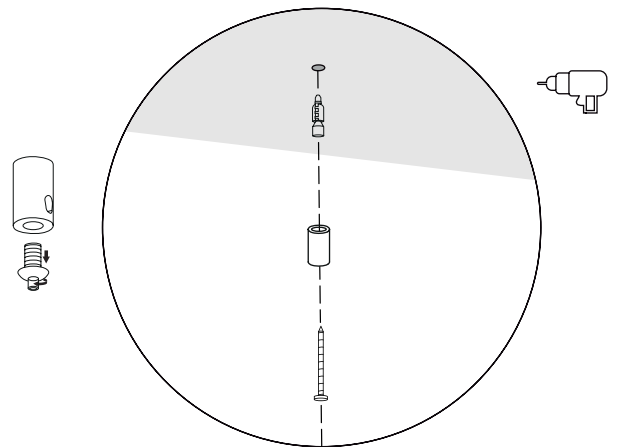


1A Placement of wall plugs. Before drilling, mark the drilling points according to the **Fixing template** and ensure they are correctly aligned.

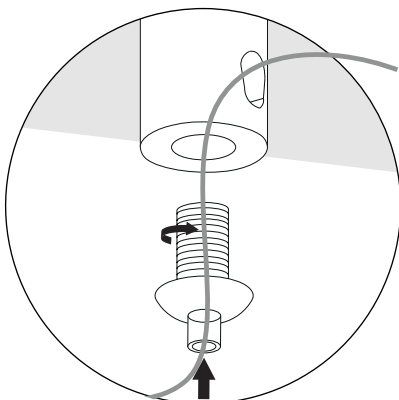


The installation should be done by two people.

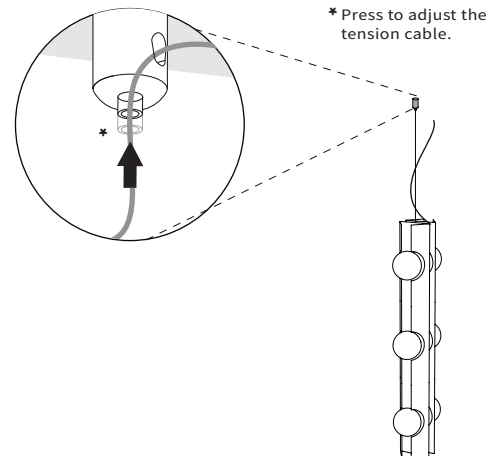
2A Fix the decentralizer.



3A Pass the tension cable through the decentralizer.



4A Level the luminaire and adjust to the desired height.



Handle with care, fragile materials.

INSTALLATION GUIDE

Pendant Lamp - Vertical Configuration

We suggest that any electrical work be performed by a qualified specialist.



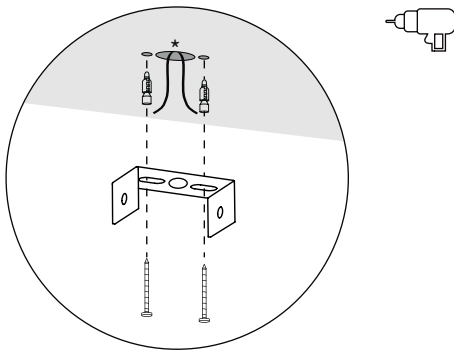
CAUTION: Turn off the power supply before executing any electrical installation.



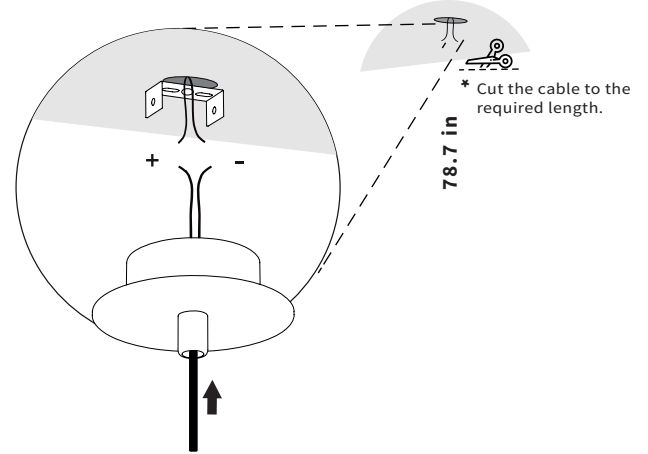
Structural reinforcement is recommended for walls and ceilings made of drywall or other similar finishes.

5B Fix the light crossbar.

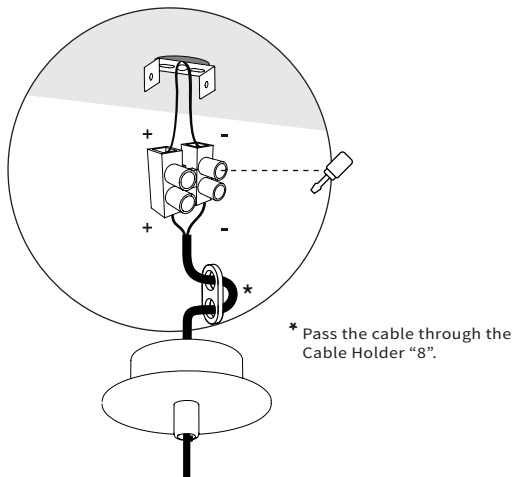
* Electrical supply cables.



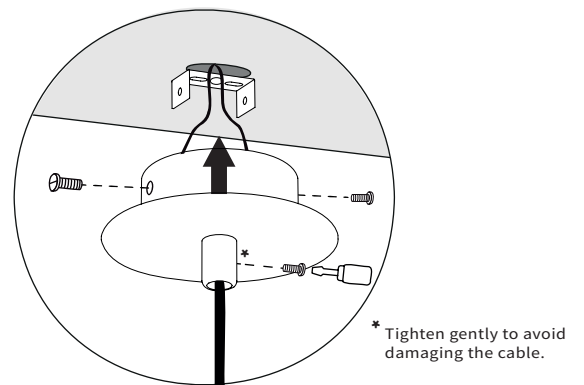
6B Pass the canopy through the cable.



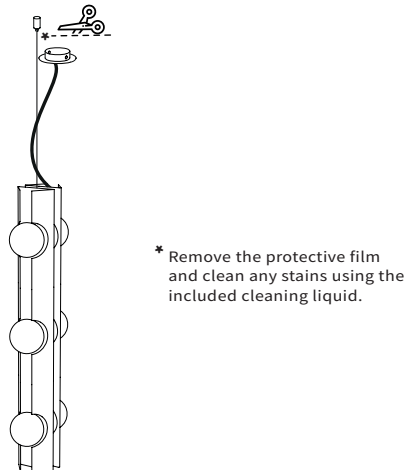
7B Connect + to + and - to - using the connector.



8B Secure the canopy to the ceiling.



9A Cut the excess tension cable after completing the electrical connection.



Handle with care, fragile materials.

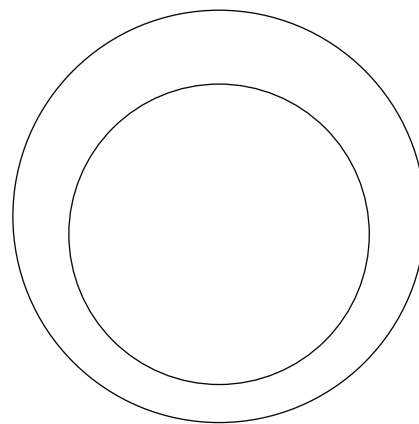
Bandido creates products that generate harmony and warmth in each space where they are present. We hope you enjoy your new product and exceeds all your expectations.

You can get more information about the maintenance of your product and warranty by scanning the following QR Code.



B AURA

Sconce Lamp Instructions



CDMX

Aristóteles 127
Polanco IV Sección Miguel Hidalgo
11550 CDMX, México

+52 555 087 2443

PUEBLA

Callejón del Cristo 2 Int. 6 A
Col. San José del Puente
72150 Puebla, Pue, México

+52 222 688 8442

Light Source

6 W G9 LED 600 lm
120 - 127 V ~ 60 Hz 0.07 - 0.05 A
2700 K
Included

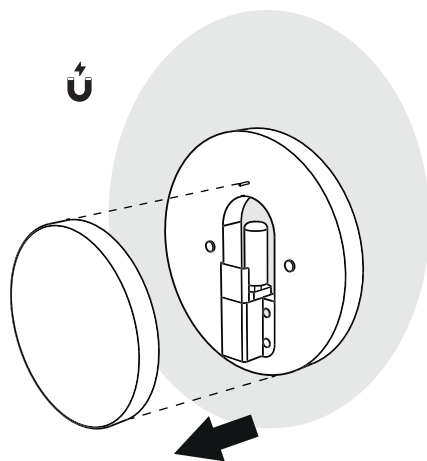
Indoor Use

bandidostudio.com

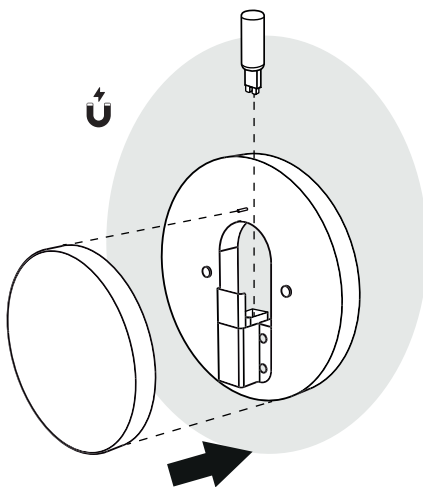
Bandido

BULB REPLACEMENT

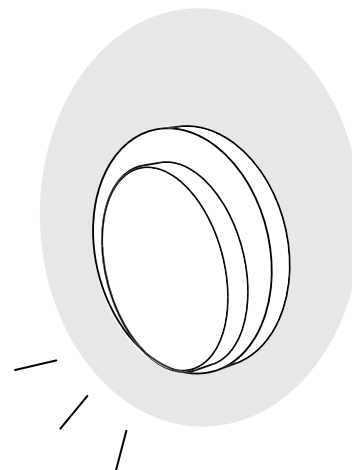
1





2



3



 Handle with care, fragile materials.

 Use only LED bulbs.

INSTALLATION GUIDE

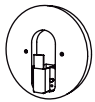
Sconce Lamp



CAUTION: Turn off the power supply before executing any electrical installation.

We suggest that any electrical work be performed by a qualified specialist.

Included Parts:



Luminaire
1x



Wall plugs
2x



Metal screen
1x



Cable Holder "8"
1x



G9 bulb
1x

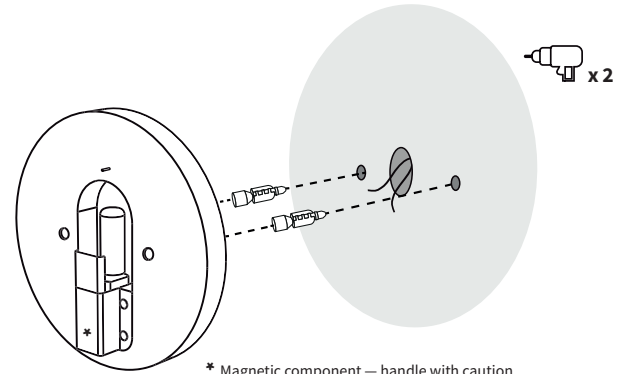


Connector
1x

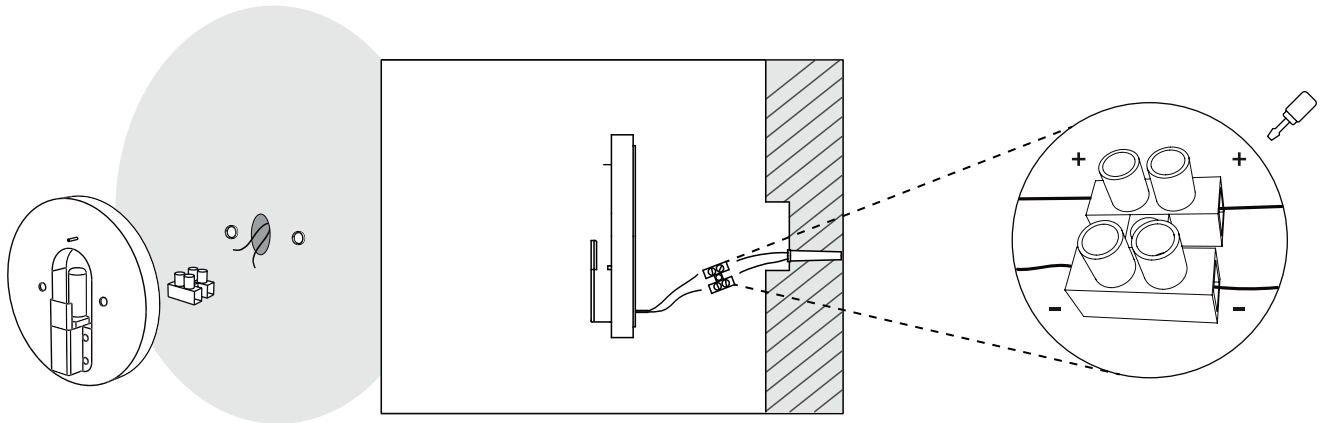


Screw
2x

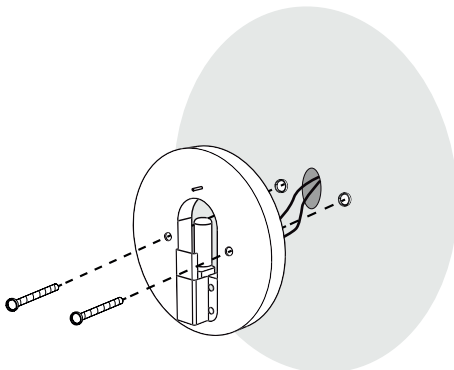
1 Install the wall plugs. Before drilling, mark the screw locations according to the luminaire.



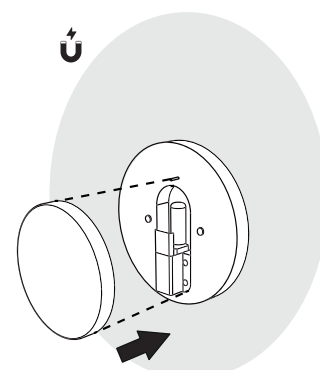
2 Connect + to + and - to - using the connector.



3 Secure the luminaire to the wall.



4 Install the metal screen.



Handle with care, fragile materials.

Bandido creates products that generate harmony and warmth in each space where they are present. We hope you enjoy your new product and exceeds all your expectations.

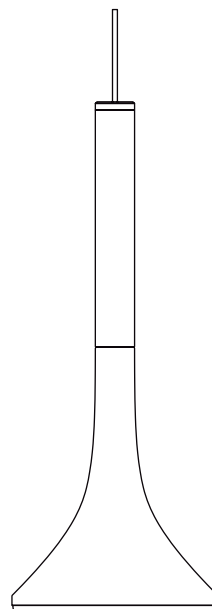
You can get more information about the maintenance of your product and warranty by scanning the following QR Code.



B AURA

Pendant Lamp

Instructions



CDMX

Aristóteles 127
Polanco IV Sección Miguel Hidalgo
11550 CDMX, México

+52 555 087 2443

PUEBLA

Callejón del Cristo 2 Int. 6 A
Col. San José del Puente
72150 Puebla, Pue, México

+52 222 688 8442

bandidostudio.com

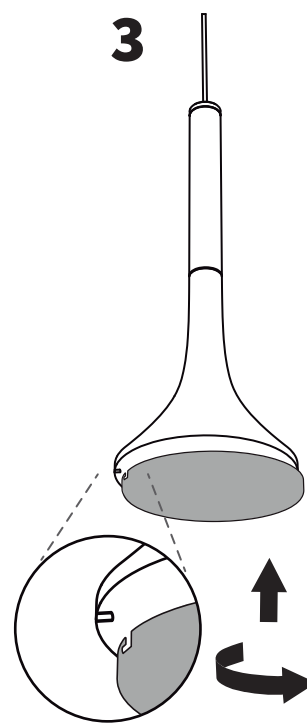
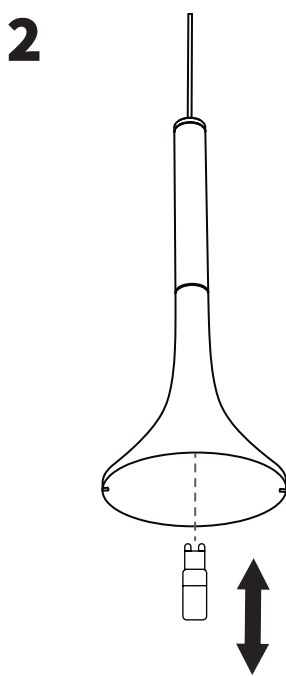
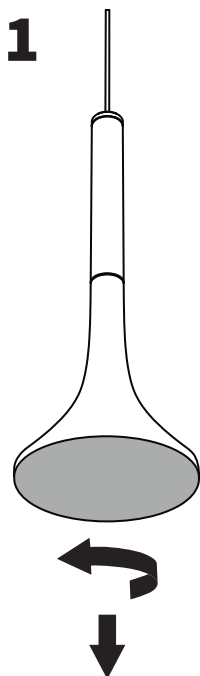
Light Source

6 W G9 LED 600 lm
120 - 127 V - 60 Hz 0.07-0.05 A
2700 K
Included


Indoor Use

Bandido

BULB REPLACEMENT



 Handle with care, fragile materials.

 Use only LED bulbs.

INSTALLATION GUIDE

Pendant Lamp



CAUTION: Turn off the power supply before executing any electrical installation.

We suggest that any electrical work be performed by a qualified specialist.

Included Parts:



Canopy
1x



G9 bulb
1x



Mounting Kit
1x



Connector
1x



Wall plug
2x



Cable Holder "8"
1x

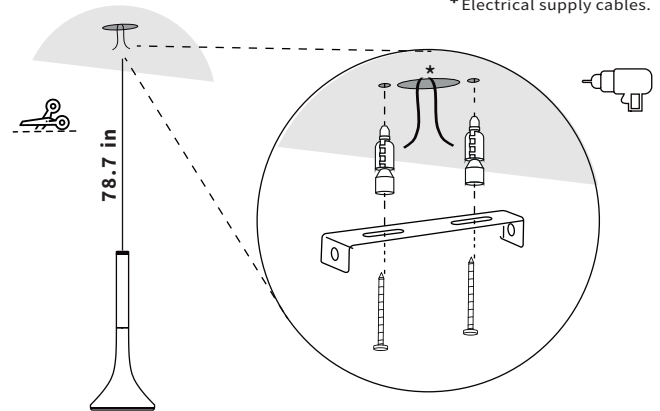


Screw
2x

1

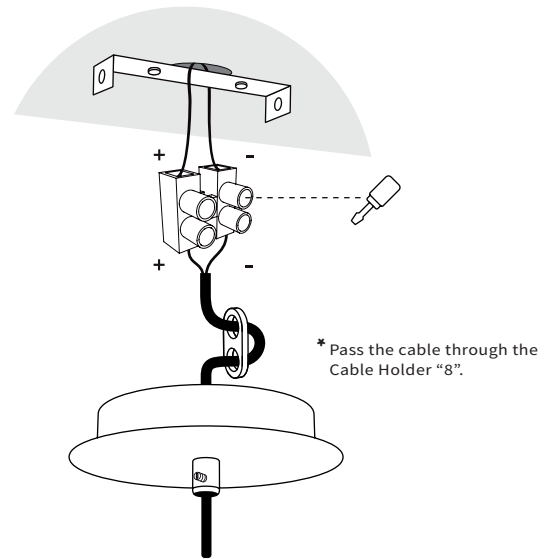
Cut the cable to the desired length. Install the wall plugs and fix the light crossbar to the ceiling.

* Electrical supply cables.



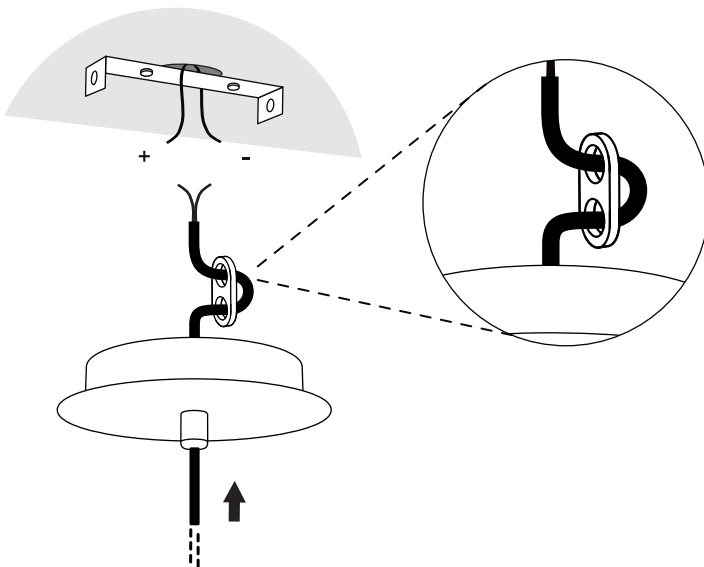
3

Connect + to + and - to - using the connector.



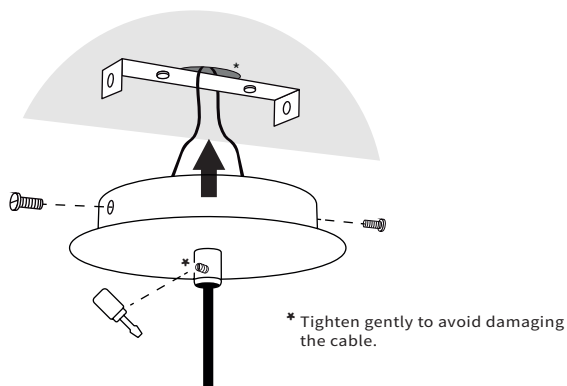
2

Pass the canopy through the cable.



4

Secure the canopy to the ceiling.



Handle with care, fragile materials.

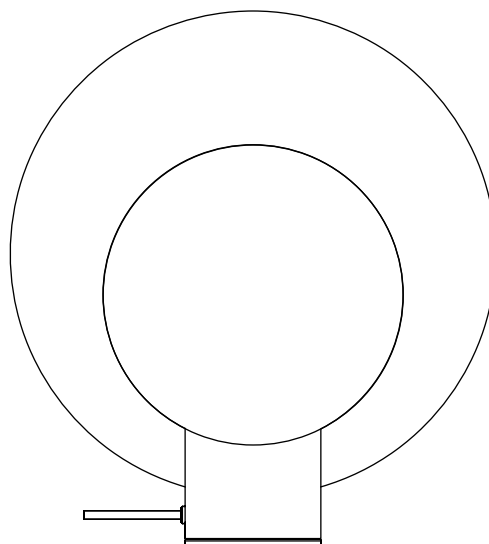
Bandido creates products that generate harmony and warmth in each space where they are present. We hope you enjoy your new product and exceeds all your expectations.

You can get more information about the maintenance of your product and warranty by scanning the following QR Code.



B AURA

Table Lamp Instructions



CDMX

Aristóteles 127
Polanco IV Sección Miguel Hidalgo
11550 CDMX, México

+52 555 087 2443

PUEBLA

Callejón del Cristo 2 Int. 6 A
Col. San José del Puente
72150 Puebla, Pue, México

+52 222 688 8442

Light Source

2.5 W G9 LED COB 250 lm
120 - 127 V - 60 Hz 0.020 A
2700 K
Included

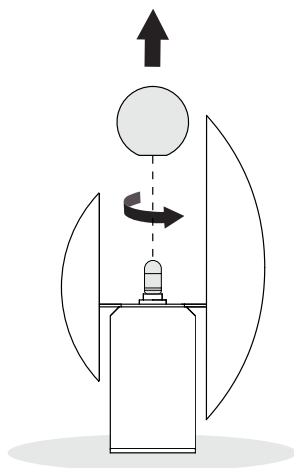
Indoor Use

bandidostudio.com

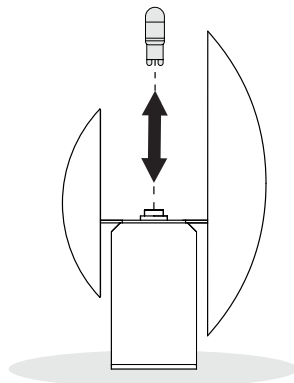
Bandido

BULB REPLACEMENT

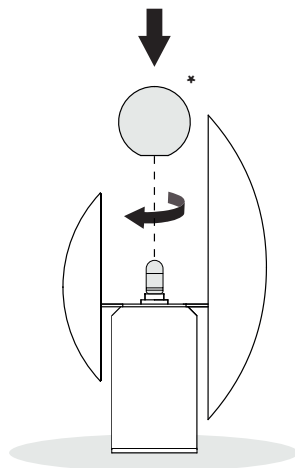
1



2

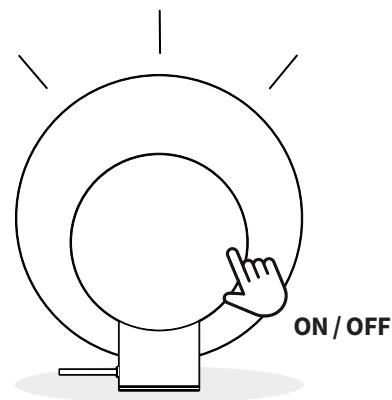


3




4

After installing the bulb,
connect it to the power supply.



* Align and screw in slightly;
the diffuser may break.

 Handle with care, fragile materials.

 Use only LED bulbs.

INSTALLATION GUIDE







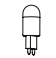

Table Lamp

We suggest that any electrical work be performed by a qualified specialist.



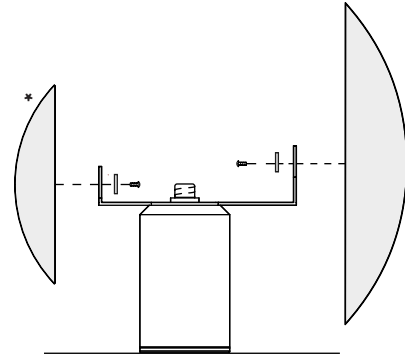
CAUTION: Turn off the power supply before executing any electrical installation.

Included Parts:

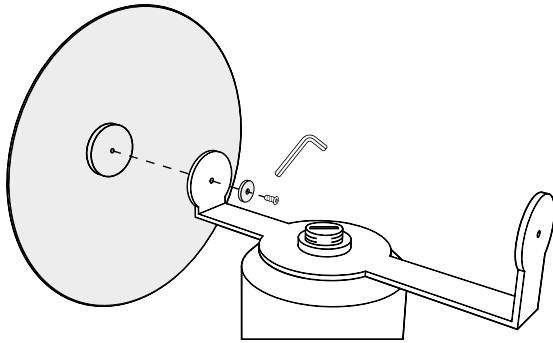
	Diffuser 1x		Allen Screw 2x
	Front disc 1x		Rubber Washer 2x
	Back disc 1x		Base 1x
	G9 bulb 1x		Allen Key 1x

1 Place the discs on the base.

* Make sure the size of the disc matches the corresponding side of the base.

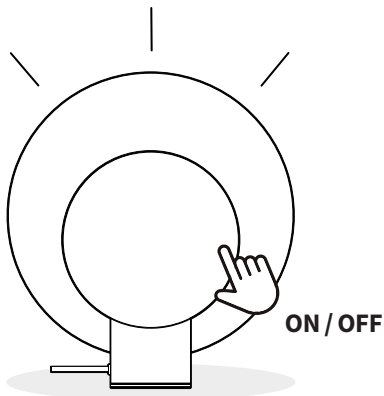


2 Screw the discs to the base. Place a rubber washer between the screw and the base to tighten the assembly.

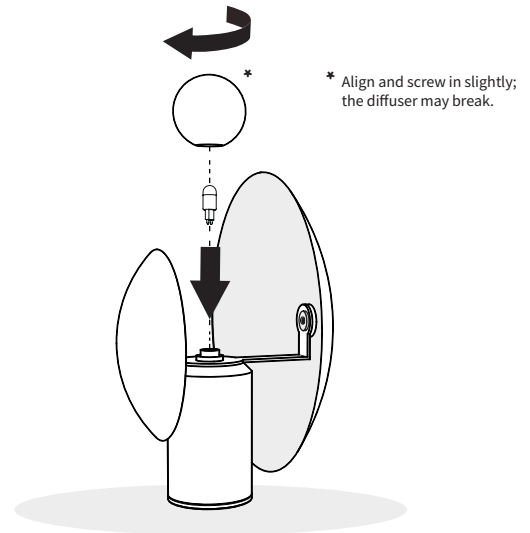


The use of washers is optional, depending on the adjustment required for the discs.

4 Turn on the lamp.



3 Install bulb and diffuser.



Handle with care, fragile materials.

Bandido creates products that generate harmony and warmth in each space where they are present. We hope you enjoy your new product and exceeds all your expectations.

You can get more information about the maintenance of your product and warranty by scanning the following QR Code.

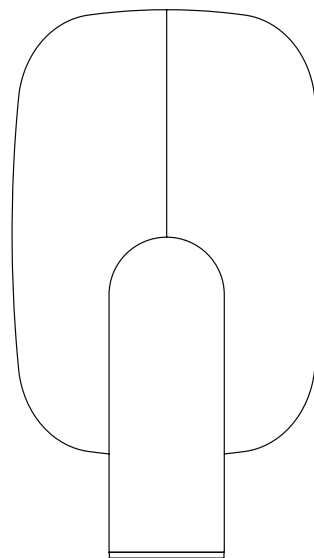


B

BO

Table Lamp

Instructions



CDMX

Aristóteles 127
Polanco IV Sección Miguel Hidalgo
11550 CDMX, México

+52 555 087 2443

PUEBLA

Callejón del Cristo 2 Int. 6 A
Col. San José del Puente
72150 Puebla, Pue, México

+52 222 688 8442

Light Source

6 W G9 LED 600 lm
120 - 127 V - 60 Hz 0.020 A
2700 K
Included

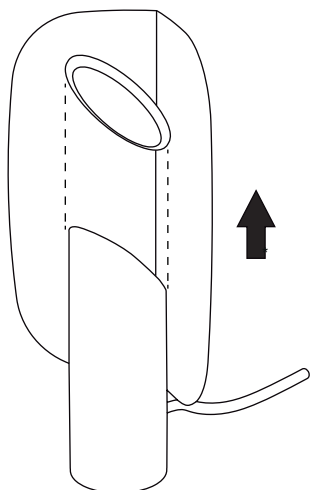
Indoor Use

bandidostudio.com

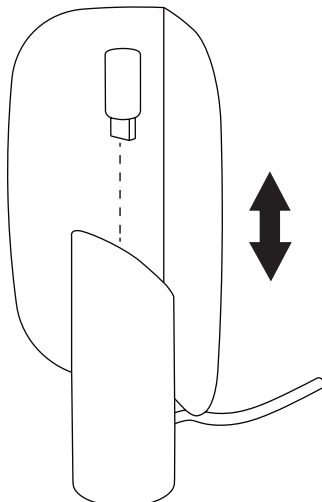
Bandido

BULB REPLACEMENT

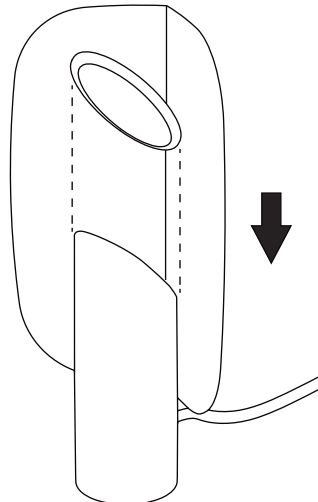
1



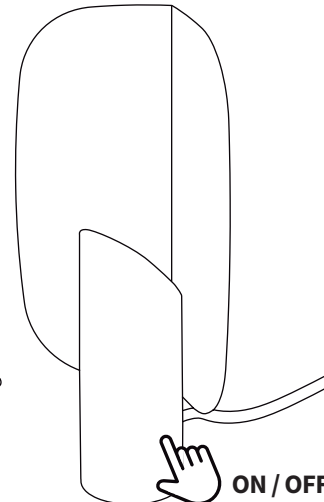
2



3



4



Handle with care, fragile materials.



Use only LED bulbs.

Bandido creates products that generate harmony and warmth in each space where they are present. We hope you enjoy your new product and exceeds all your expectations.

You can get more information about the maintenance of your product and warranty by scanning the following QR Code.

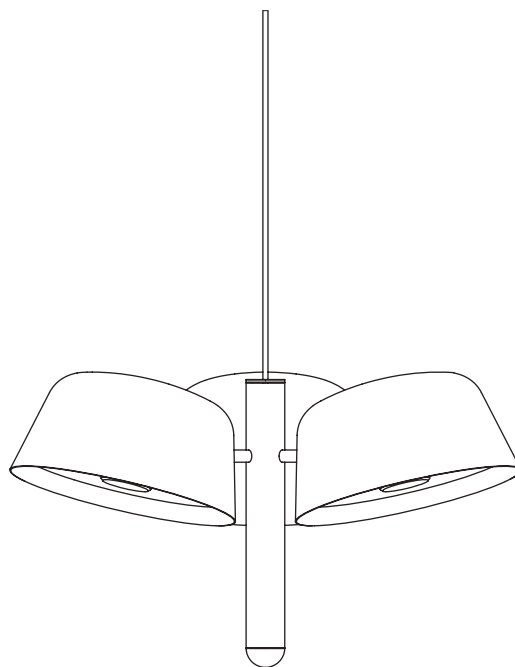


B

BUNA

Pendant Lamp

Instructions



CDMX

Aristóteles 127
Polanco IV Sección Miguel Hidalgo
11550 CDMX, México

+52 555 087 2443

PUEBLA

Callejón del Cristo 2 Int. 6 A
Col. San José del Puente
72150 Puebla, Pue, México

+52 222 688 8442

Light Source

3 x LED Optical Module 120° 7 W

490 lm 120 V ~ 60 Hz 0.05 A

3000 K

Included

Indoor Use

bandidostudio.com

Bandido

OPERATION INSTRUCTIONS

1 Unpack carefully. The materials are fragile and can be easily broken.

2 Follow the instructions on the back of the sheet for installing this product.

SPARE PARTS

- To replace the LED module, contact Bandido directly.



Handle with care, fragile materials.



The warranty is void if the luminaire is opened or internally modified.

INSTALLATION GUIDE

Pendant Lamp

We suggest that any electrical work be performed by a qualified specialist.

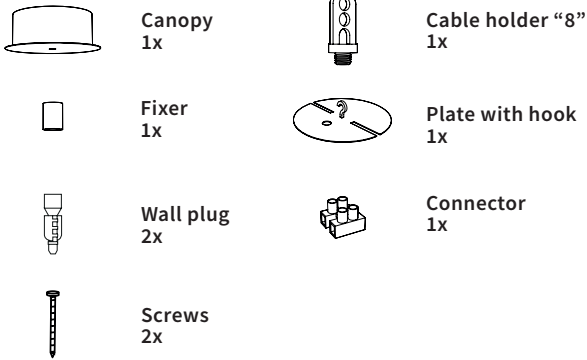


CAUTION: Turn off the power supply before executing any electrical installation.

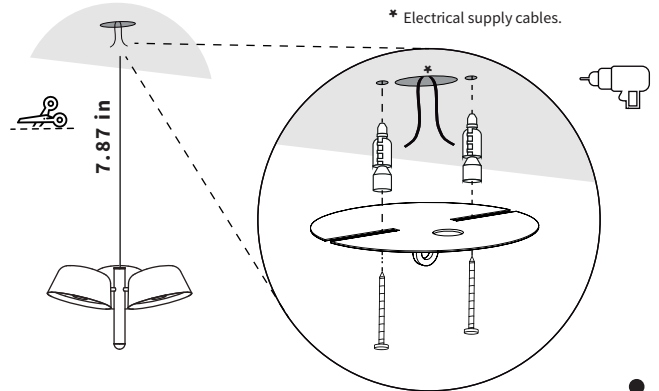


Structural reinforcement is recommended for walls and ceilings made of drywall or other similar finishes.

Included Parts:



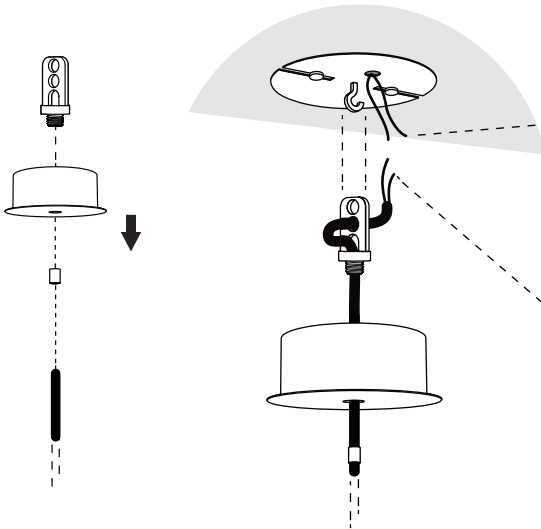
1 Cut the cable to the desired length. Install the wall plugs and fix the light crossbar to the ceiling.



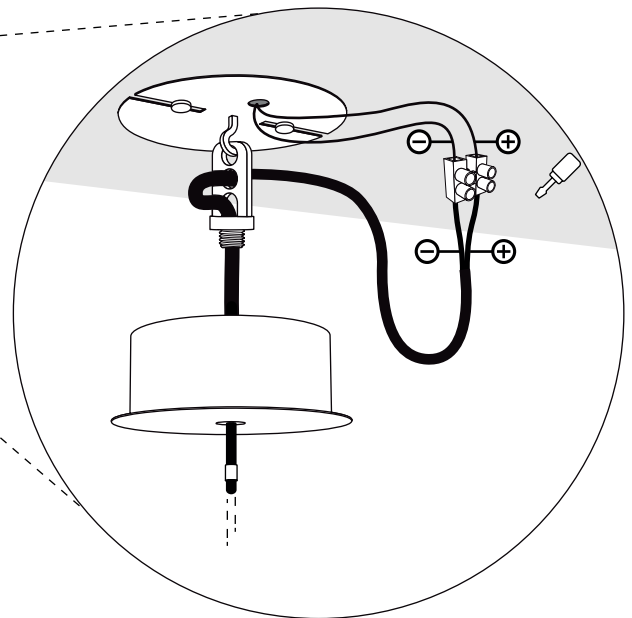
It is recommended that the installation be done by two people.



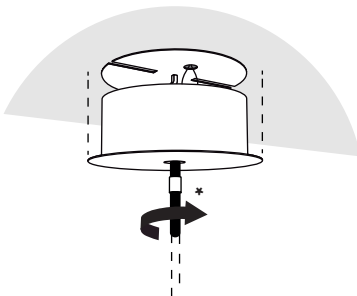
2 Pass the canopy and the cable holder "8" through the cable.



3 Connect + to + and - to - using the connector.



4 Secure the canopy to the ceiling.



* Place the fixer.



Handle with care, fragile materials.



To replace the LED modules, please contact Bandido directly.

Bandido creates products that generate harmony and warmth in each space where they are present. We hope you enjoy your new product and exceeds all your expectations.

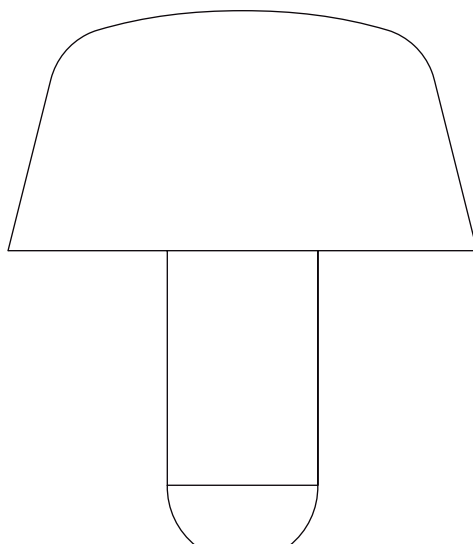
You can get more information about the maintenance of your product and warranty by scanning the following QR Code.



B BUNA

Table Lamp

Instructions



CDMX

Aristóteles 127
Polanco IV Sección Miguel Hidalgo
11550 CDMX, México

+52 555 087 2443

PUEBLA

Callejón del Cristo 2 Int. 6 A
Col. San José del Puente
72150 Puebla, Pue, México

+52 222 688 8442

Light Source

5 W E27 LED COB 550 lm
120 - 127 V - 60 Hz 0.020 A
2700 K
Included

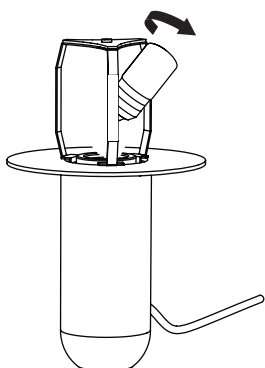
Indoor Use

bandidostudio.com

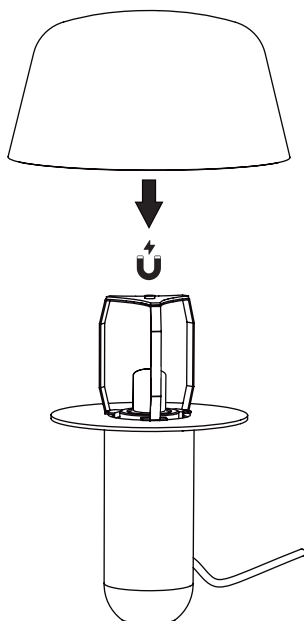
Bandido

BULB REPLACEMENT

1

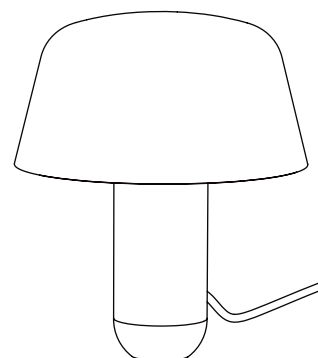


2



3

After placing the metal lamp shade, connect the lamp to the power supply.



Handle with care, fragile materials.



Use only LED bulbs.

Bandido creates products that generate harmony and warmth in each space where they are present. We hope you enjoy your new product and exceeds all your expectations.

You can get more information about the maintenance of your product and warranty by scanning the following QR Code.



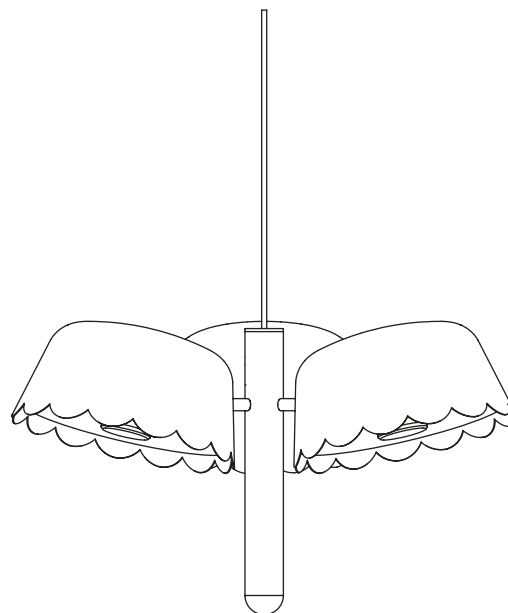
B

BUNA X



Pendant Lamp

Instructions



CDMX

Aristóteles 127
Polanco IV Sección Miguel Hidalgo
11550 CDMX, México

+52 555 087 2443

PUEBLA

Callejón del Cristo 2 Int. 6 A
Col. San José del Puente
72150 Puebla, Pue, México

+52 222 688 8442

Light Source

3 x LED Optical Module 120° 7 W
490 lm / 120 V ~ 60 Hz 0.05 A
3000 K
Included

Indoor Use

bandidostudio.com

ANDRÉS GUTIÉRREZ

Bandido

OPERATION INSTRUCTIONS

1 Unpack carefully. The materials are fragile and can be easily broken.

2 Follow the instructions on the back of the sheet for installing this product.

SPARE PARTS

- To replace the LED module, contact Bandido directly.



Handle with care, fragile materials.



The warranty is void if the luminaire is opened or internally modified.

INSTALLATION GUIDE

Pendant Lamp

We suggest that any electrical work be performed by a qualified specialist.

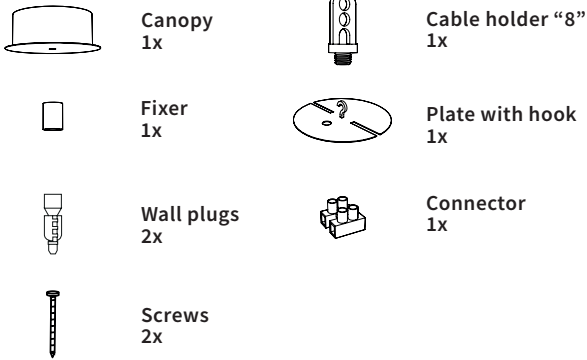


CAUTION: Turn off the power supply before executing any electrical installation.

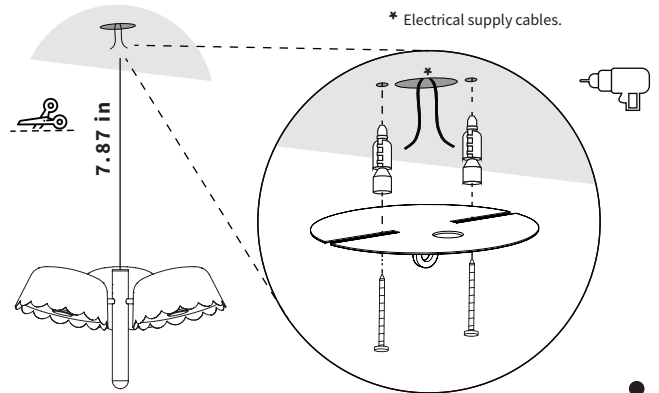


Structural reinforcement is recommended for walls and ceilings made of drywall or other similar finishes.

Included Parts:



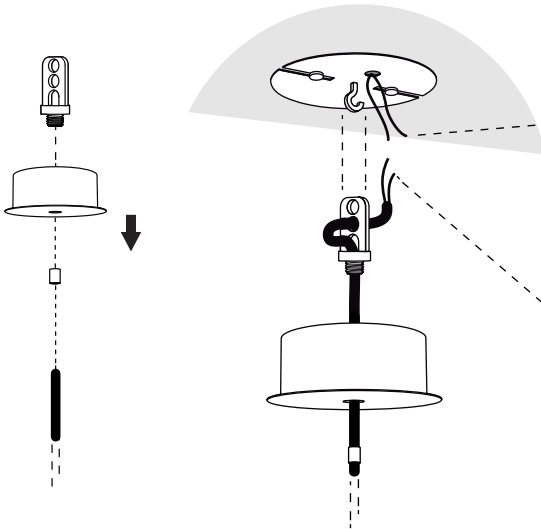
1 Cut the cable to the desired length. Install the wall plugs and fix the light crossbar to the ceiling.



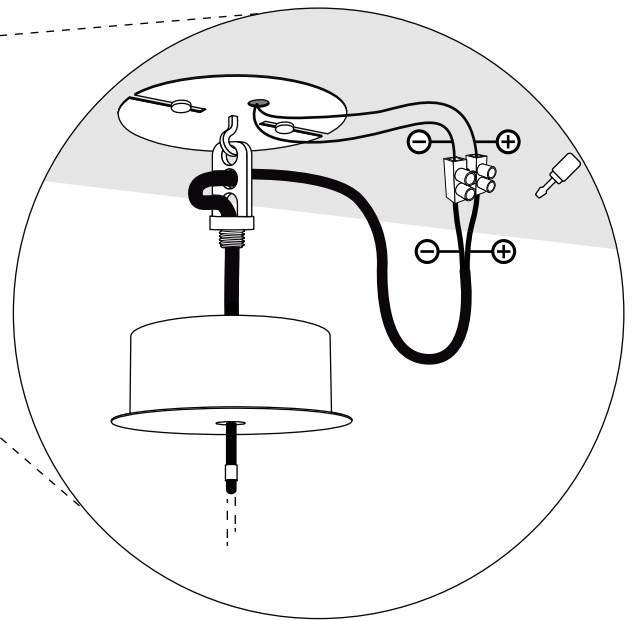
It is recommended that the installation be done by two people.



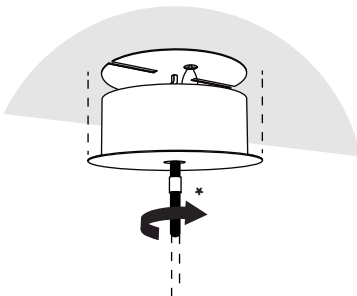
2 Pass the canopy and the cable holder "8" through the cable.



3 Connect + to + and - to - using the connector.



4 Secure the canopy to the ceiling.



* Place the fixer.



Handle with care, fragile materials.

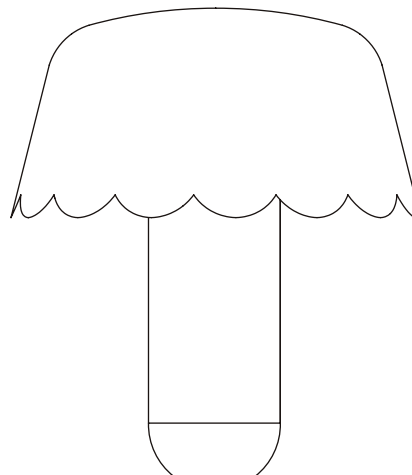
Bandido creates products that generate harmony and warmth in each space where they are present. We hope you enjoy your new product and exceeds all your expectations.

You can get more information about the maintenance of your product and warranty by scanning the following QR Code.



B BUNA X

Table Lamp Instructions



CDMX

Aristóteles 127
Polanco IV Sección Miguel Hidalgo
11550 CDMX, México

+52 555 087 2443

PUEBLA

Callejón del Cristo 2 Int. 6 A
Col. San José del Puente
72150 Puebla, Pue, México

+52 222 688 8442

Light Source

5 W E27 LED COB 550 lm
120 - 127 V - 60 Hz 0.020 A
2700 K
Included

Indoor Use

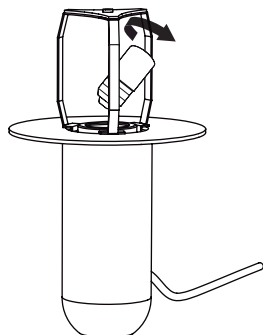
bandidostudio.com

ANDRÉS GUTIÉRREZ

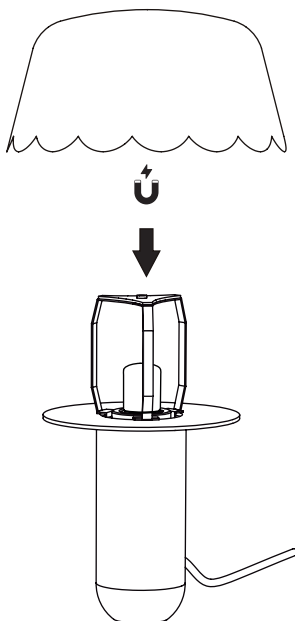
Bandido

BULB REPLACEMENT

1

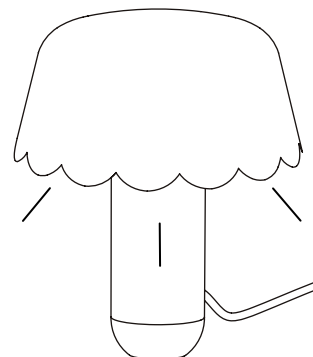


2




3

After installing the lampshade, connect it to the power supply.



 Handle with care, fragile materials.

 Use only LED bulbs.

Bandido creates products that generate harmony and warmth in each space where they are present. We hope you enjoy your new product and exceeds all your expectations.

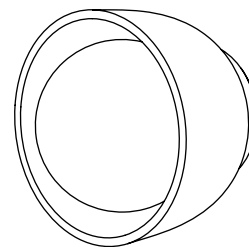
You can get more information about the maintenance of your product and warranty by scanning the following QR Code.



B DBH 02 I

Sconce Lamp

Instructions



CDMX

Aristóteles 127
Polanco IV Sección Miguel Hidalgo
11550 CDMX, México

+52 555 087 2443

PUEBLA

Callejón del Cristo 2 Int. 6 A
Col. San José del Puente
72150 Puebla, Pue, México

+52 222 688 8442

Light Source

2.5 W G9 LED COB 250 lm
120 - 127 V - 60 Hz 0.020 A
2700 K
Included

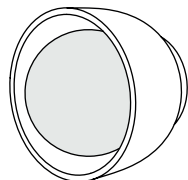
Indoor Use

bandidostudio.com

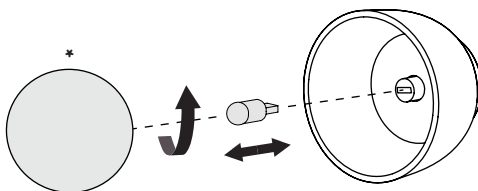
Bandido

BULB REPLACEMENT

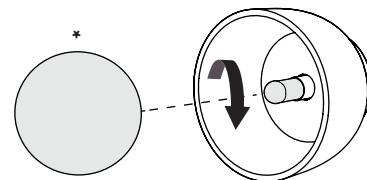
1




2




3



* Align the glass diffuser and screw gently to avoid jamming.

 Handle with care, fragile materials.

 Use only LED bulbs.

INSTALLATION GUIDE

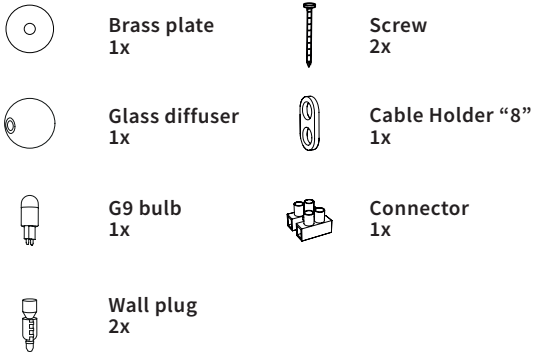
Sconce Lamp



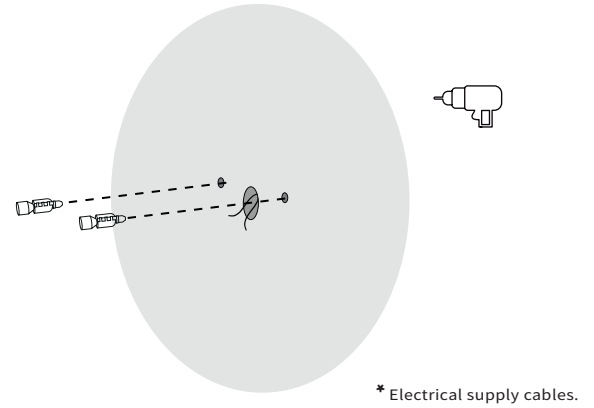
CAUTION: Turn off the power supply before executing any electrical installation.

We suggest that any electrical work be performed by a qualified specialist.

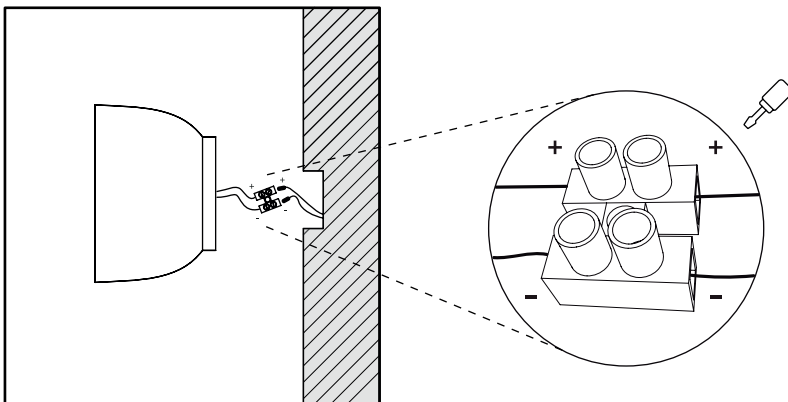
Included Parts:



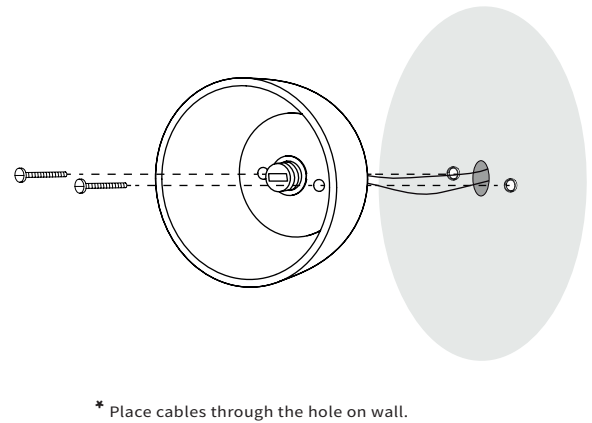
1 Placement of wall plugs. Before drilling, mark the location of the drilling points according to the **Fixing template**.



2 Connect + to + and - to - using the connector.

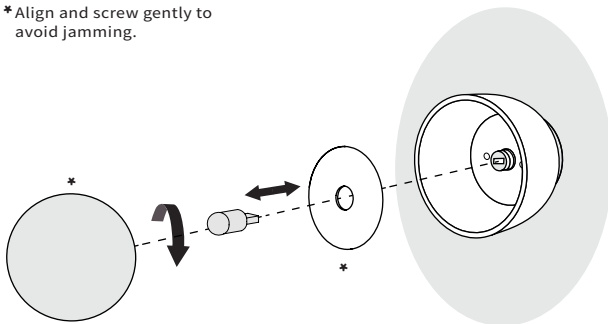


3 Fix the module to the wall.



4 Install the brass cover, followed by the LED Bulb and Glass Diffuser.

* Align and screw gently to avoid jamming.



* Remove the protective film.



Handle with care, fragile materials.

Bandido creates products that generate harmony and warmth in each space where they are present. We hope you enjoy your new product and exceeds all your expectations.

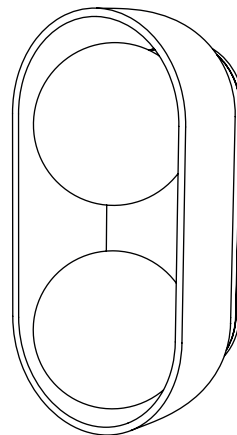
You can get more information about the maintenance of your product and warranty by scanning the following QR Code.



B DBH 02 II

Sconce Lamp

Instructions



CDMX

Aristóteles 127
Polanco IV Sección Miguel Hidalgo
11550 CDMX, México

+52 555 087 2443

PUEBLA

Callejón del Cristo 2 Int. 6 A
Col. San José del Puente
72150 Puebla, Pue, México

+52 222 688 8442

Light Source

2 x 2.5 W G9 LED COB 250 lm
120 - 127 V - 60 Hz 0.020 A
2700 K
Included

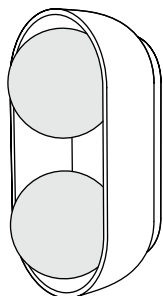
Indoor Use

bandidostudio.com

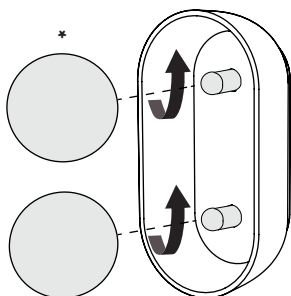
Bandido

BULB REPLACEMENT

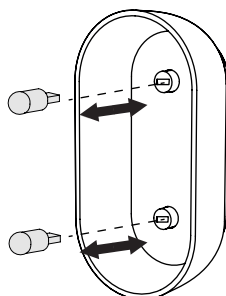
1



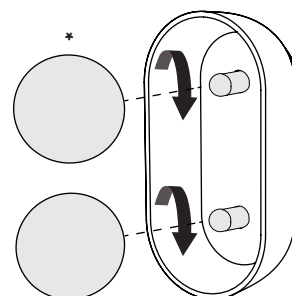
2



3



4



* Align the glass diffuser and screw gently to avoid jamming.

 Handle with care, fragile materials.

 Use only LED bulbs.

INSTALLATION GUIDE

Sconce Lamp



CAUTION: Turn off the power supply before executing any electrical installation.

We suggest that any electrical work be performed by a qualified specialist.

Included Parts:



Brass plate
2x



Screw
2x



Glass diffuser
2x



Cable Holder "8"
1x



G9 bulb
2x

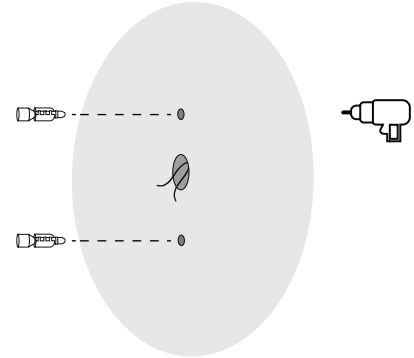


Connector
1x



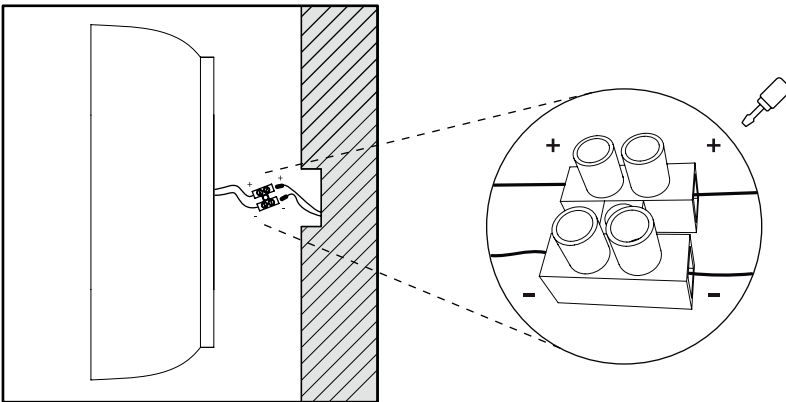
Wall plug
2x

1 Placement of wall plugs. Before drilling, mark the location of the drilling points according to the **Fixing template**.

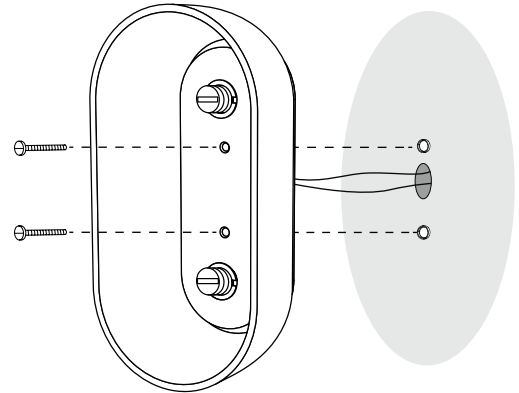


* Electrical supply cables.

2 Connect + to + and - to - using the connector.



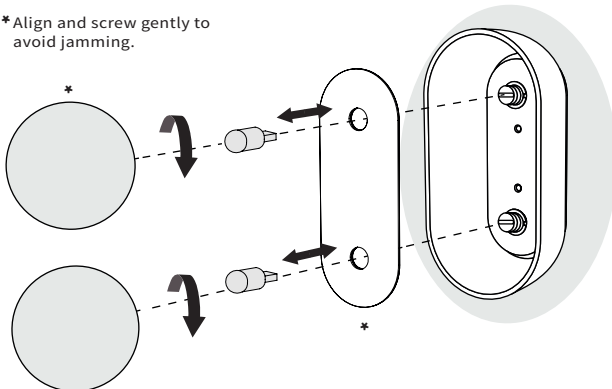
3 Fix the module to the wall.



* Place cables through the hole on wall.

4 Install the brass cover, followed by the LED Bulbs and Glass Diffusers.

* Align and screw gently to avoid jamming.



* Remove the protective film.



Handle with care, fragile materials.

Bandido creates products that generate harmony and warmth in each space where they are present. We hope you enjoy your new product and exceeds all your expectations.

You can get more information about the maintenance of your product and warranty by scanning the following QR Code.

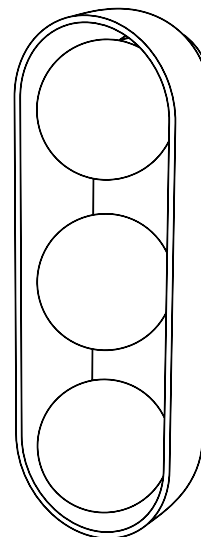


B

DBH 02 III

Sconce Lamp

Instructions



CDMX

Aristóteles 127
Polanco IV Sección Miguel Hidalgo
11550 CDMX, México

+52 555 087 2443

PUEBLA

Callejón del Cristo 2 Int. 6 A
Col. San José del Puente
72150 Puebla, Pue, México

+52 222 688 8442

Light Source

3x 2.5 W G9 LED COB 250 lm

120 - 127 V - 60 Hz 0.020 A

2700 K

Included

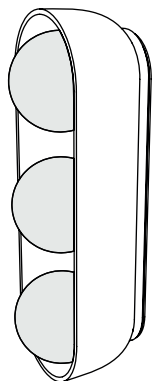
Indoor Use

bandidostudio.com

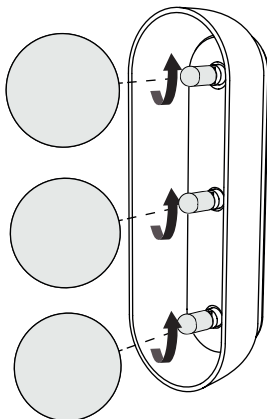
Bandido

BULB REPLACEMENT

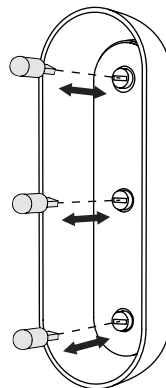
1



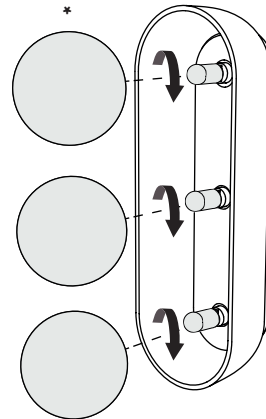
2



3



4



* Align and screw in slightly;
the diffuser may break.



Handle with care, fragile materials.



Use only LED bulbs.

INSTALLATION GUIDE

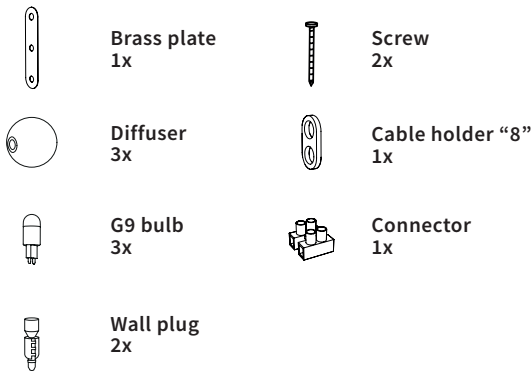
Sconce Lamp



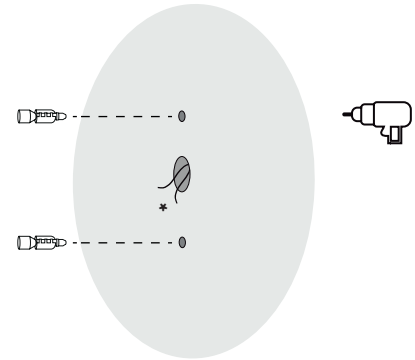
CAUTION: Turn off the power supply before executing any electrical installation.

We suggest that any electrical work be performed by a qualified specialist.

Included Parts:

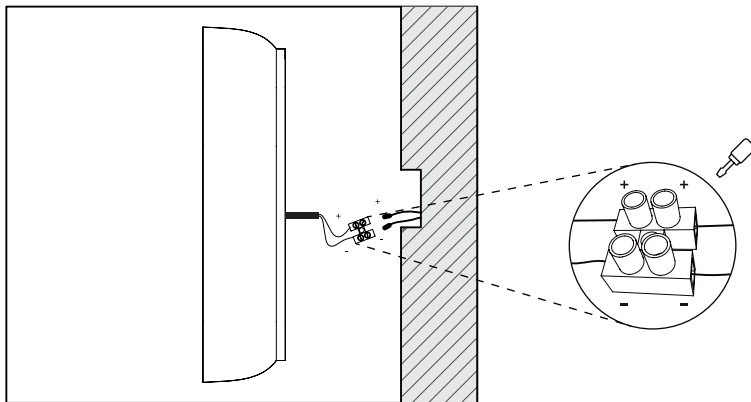


1 Placement of wall plugs. Before drilling, mark the location of the screws according to the **installation template**.



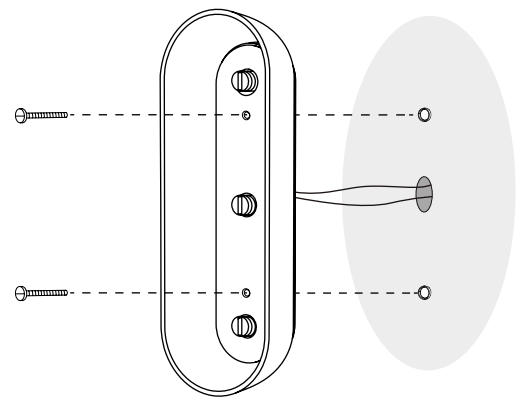
* Electrical supply cables.

2 Connect + to + and - to - using the connector.



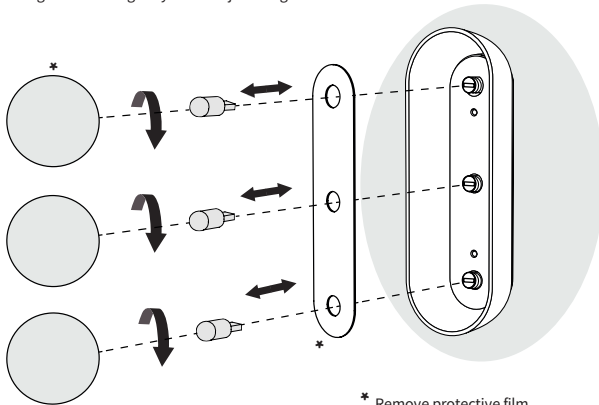
* Insert the cables into the wall cavity.

3 Fix the module to the wall.



4 Install the brass cover, followed by the LED Bulb and Glass Diffuser.

* Align and screw gently to avoid jamming.



* Remove protective film.



Handle with care, fragile materials.

Bandido creates products that generate harmony and warmth in each space where they are present. We hope you enjoy your new product and exceeds all your expectations.

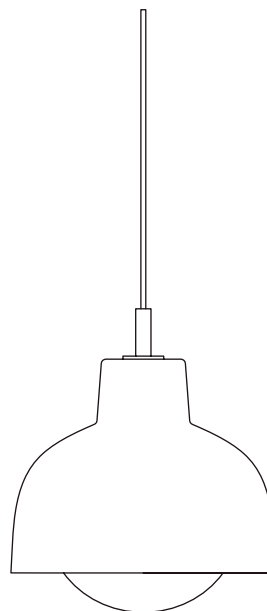
You can get more information about the maintenance of your product and warranty by scanning the following QR Code.



B DBH 02

Pendant Lamp

Instructions



CDMX

Aristóteles 127
Polanco IV Sección Miguel Hidalgo
11550 CDMX, México

+52 555 087 2443

PUEBLA

Callejón del Cristo 2 Int. 6 A
Col. San José del Puente
72150 Puebla, Pue, México

+52 222 688 8442

Light Source

5 W E27 LED COB 550 lm
120 - 127 V - 60 Hz 0.020 A
2700 K
Included

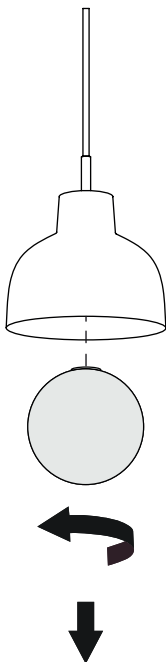
Indoor Use

bandidostudio.com

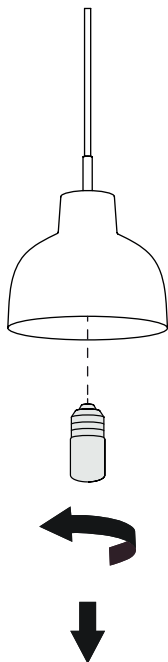
Bandido

BULB REPLACEMENT

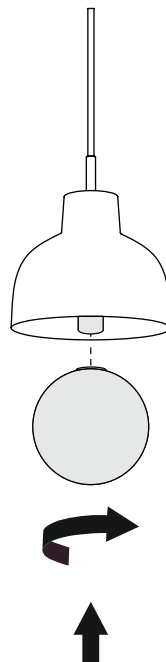
1



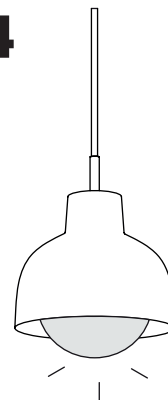
2




3




4



* Align the glass diffuser and screw gently to avoid jamming.

 Handle with care, fragile materials.

 Use only LED bulbs.

INSTALLATION GUIDE

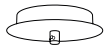
Pendant Lamp



CAUTION: Turn off the power supply before executing any electrical installation.

We suggest that any electrical work be performed by a qualified specialist.

Included Parts:



Canopy
1x



Connector
1x



Mounting Kit
1x



E27 bulb
1x



Wall Plug
2x

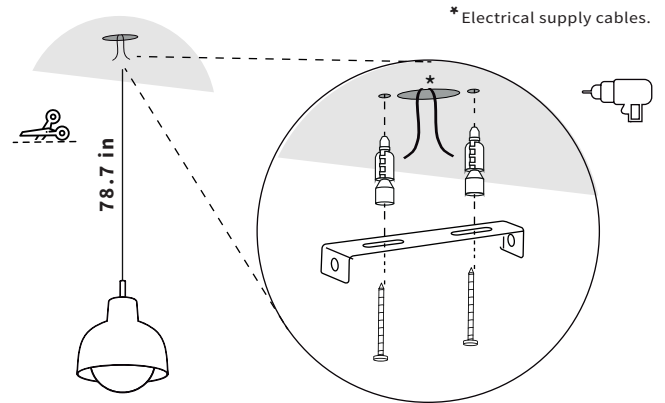


Cable Holder "8"
1x

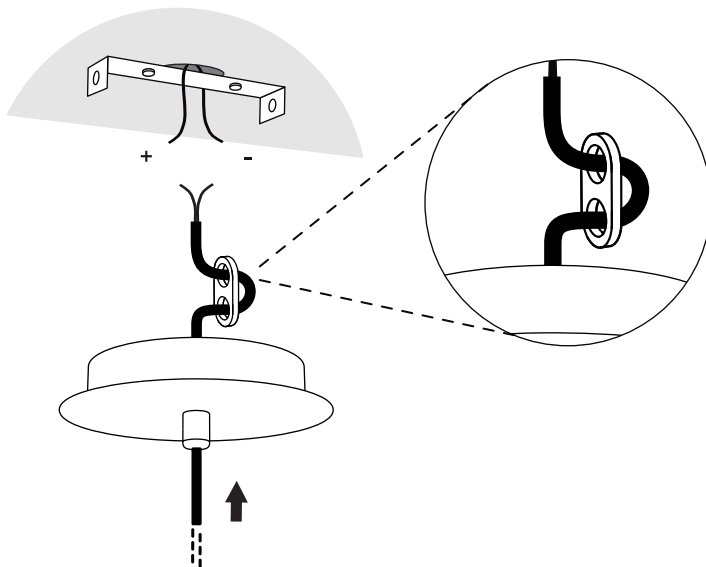


Screw
2x

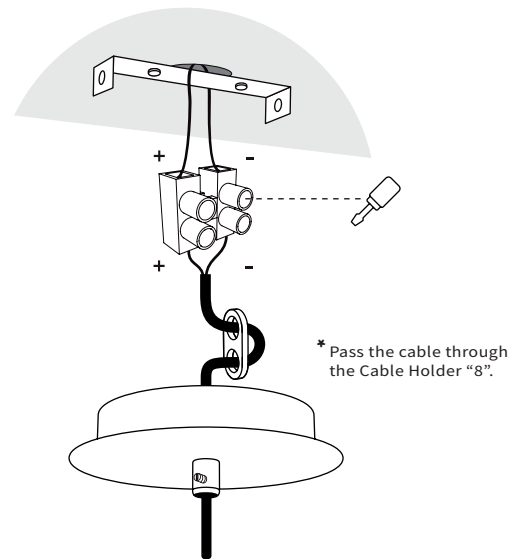
1 Cut the cable to the desired length. Place the wall plugs and fix the light crossbar to the ceiling.



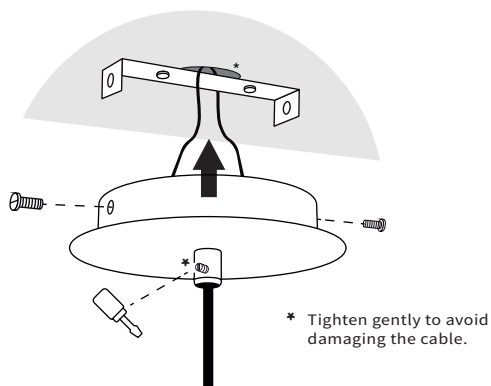
2 Pass the canopy and the Cable Holder "8" through the cable.



3 Connect + to + and - to - using the connector.



4 Secure the canopy to the ceiling.



Handle with care, fragile materials.

Bandido creates products that generate harmony and warmth in each space where they are present. We hope you enjoy your new product and exceeds all your expectations.

You can get more information about the maintenance of your product and warranty by scanning the following QR Code.

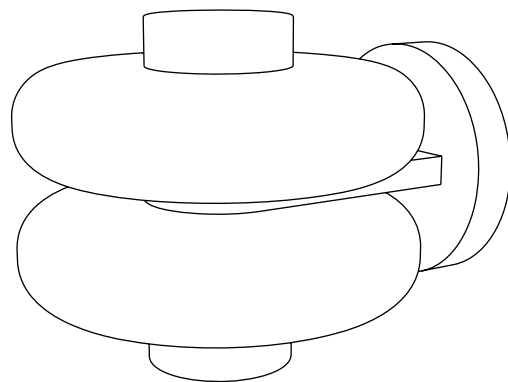


B

DUO

Sconce Lamp

Instructions



CDMX

Aristóteles 127
Polanco IV Sección Miguel Hidalgo
11550 CDMX, México

+52 555 087 2443

PUEBLA

Callejón del Cristo 2 Int. 6 A
Col. San José del Puente
72150 Puebla, Pue, México

+52 222 688 8442

Light Source

6 W G9 LED 600 lm
120 - 127 V ~ 60 Hz 0.07 - 0.05 A
2700 K
Included

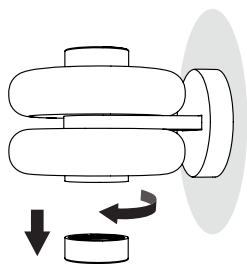
Indoor Use

bandidostudio.com

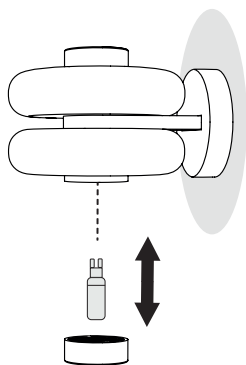
Bandido

BULB REPLACEMENT

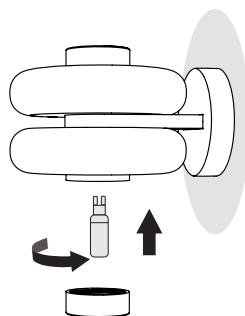
1



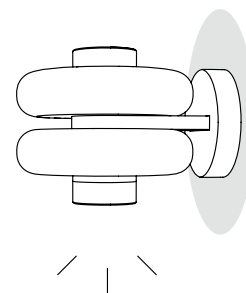
2





3



4



 Handle with care, fragile materials.

 Use only LED bulbs.

INSTALLATION GUIDE

Sconce Lamp



CAUTION: Turn off the power supply before executing any electrical installation.

We suggest that any electrical work be performed by a qualified specialist.

Included Parts:



Luminaire
1x



Hex screw
2x



G9 bulb
1x



Cable Holder "8"
1x

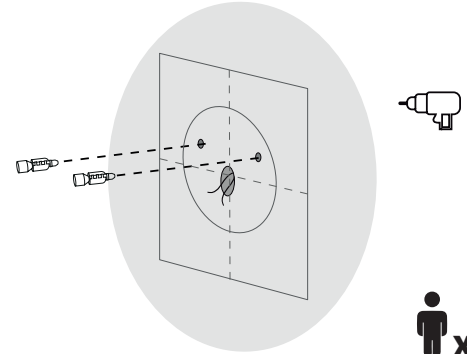


Wall plug
2x



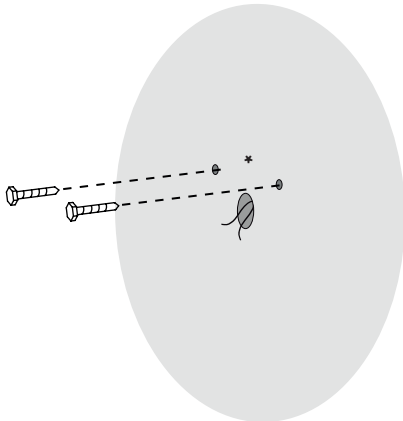
Connector
1x

- 1** Install the wall plugs. Before drilling, mark the screw locations according to the **Fixing template** and ensure they are horizontally aligned.



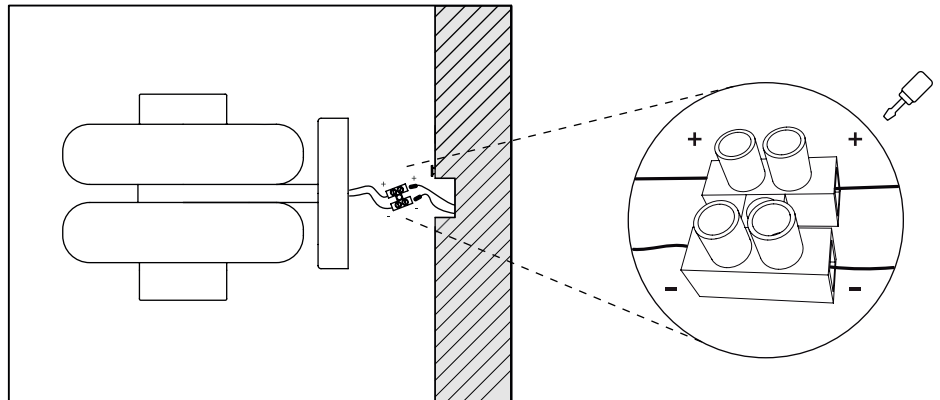
It is recommended that installation be performed by two people.

- 2** Install the hex screws.

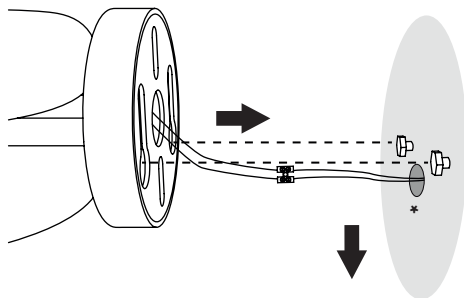


* Leave a 2-3 mm gap from the wall.

- 3** Connect + to + and - to - using the connector.



- 4** Secure the luminaire onto the hex screws.



* Insert the cables into the wall cavity.



Handle with care, fragile materials.

Bandido creates products that generate harmony and warmth in each space where they are present. We hope you enjoy your new product and exceeds all your expectations.

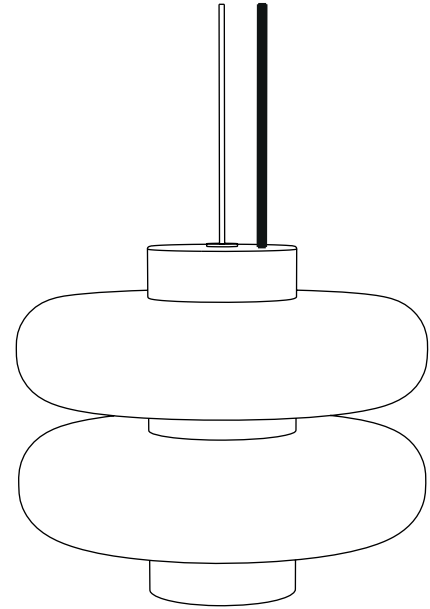
You can get more information about the maintenance of your product and warranty by scanning the following QR Code.



B DUO

Pendant Lamp

Instructions



CDMX

Aristóteles 127
Polanco IV Sección Miguel Hidalgo
11550 CDMX, México

+52 555 087 2443

PUEBLA

Callejón del Cristo 2 Int. 6 A
Col. San José del Puente
72150 Puebla, Pue, México

+52 222 688 8442

Light Source

6 W G9 LED 600 lm
120 - 127 V ~ 60 Hz 0.07 - 0.05 A
2700 K
Included

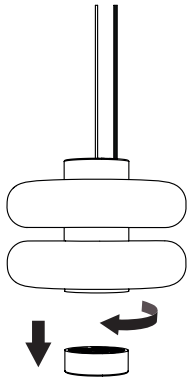
Indoor Use

bandidostudio.com

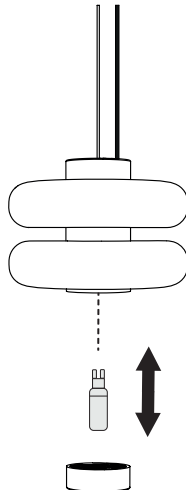
Bandido

BULB REPLACEMENT

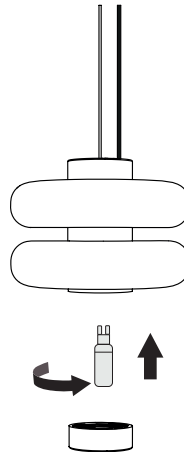
1



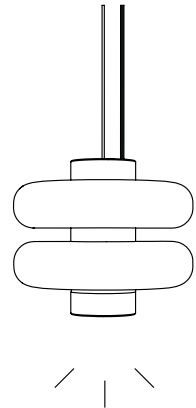
2




3



4



 Handle with care, fragile materials.

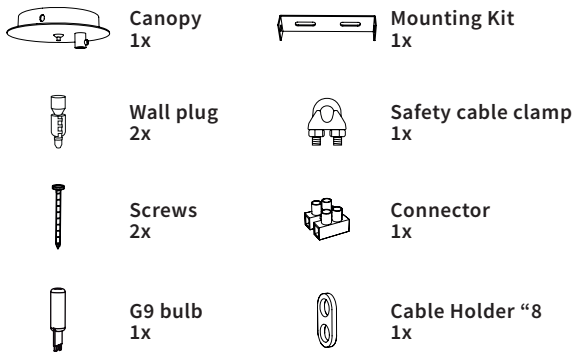
 Use only LED bulbs.

INSTALLATION GUIDE

Pendant Lamp

We suggest that any electrical work be performed by a qualified specialist.

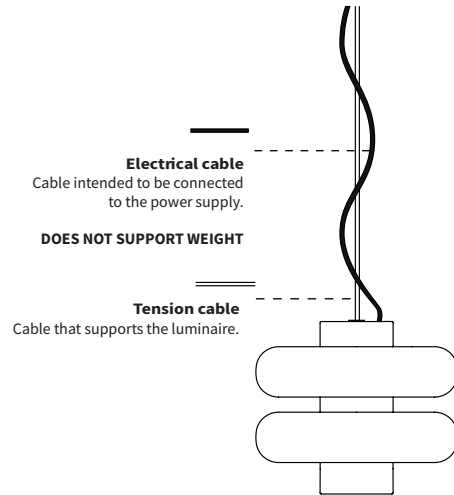
Included Parts:



CAUTION: Turn off the power supply before executing any electrical installation.

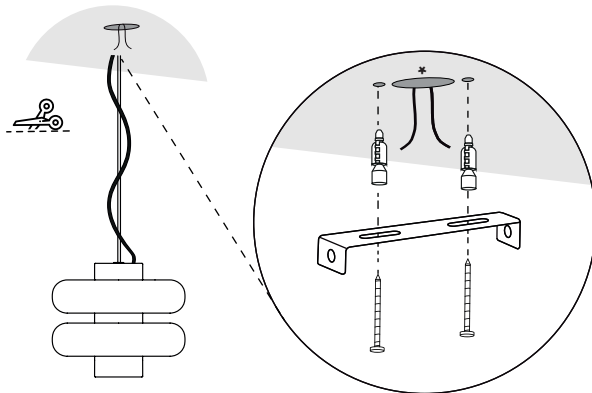


Structural reinforcement is recommended for walls and ceilings made of drywall or other similar finishes.



1 Cut the cable to the desired length. Fix the light crossbar.

* Electrical supply cables.

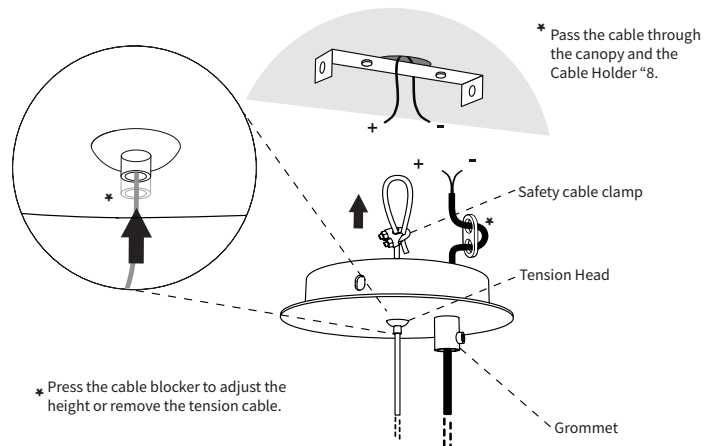


Electrical cable length: 118.11 in
Tension cable length: 78.74 in

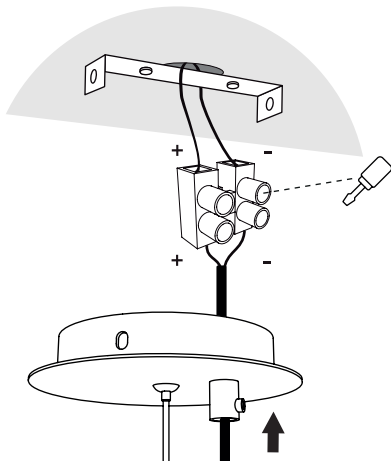
It is recommended that installation be performed by two people.



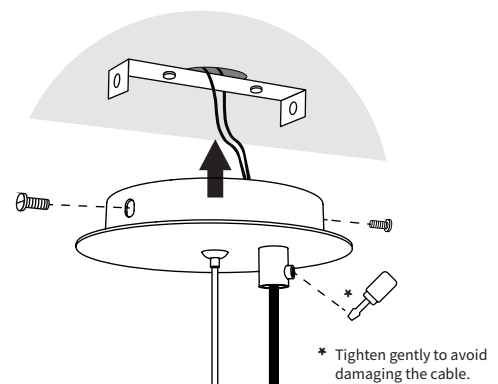
2 Pass the electrical cable through the cable guide and the tension cable through the cable blocker. Fix the safety cable clamp onto the tension cable.



3 Connect + to + and - to - using the connector.



4 Secure the canopy to the ceiling.
* Tighten gently to avoid damaging the cable.



Handle with care, fragile materials.

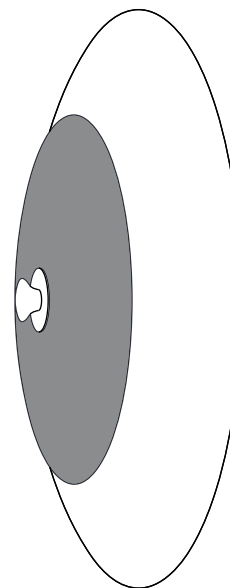
Bandido creates products that generate harmony and warmth in each space where they are present. We hope you enjoy your new product and exceeds all your expectations.

You can get more information about the maintenance of your product and warranty by scanning the following QR Code.



B FASE 40

Sconce Lamp Instructions



CDMX

Aristóteles 127
Polanco IV Sección Miguel Hidalgo
11550 CDMX, México

+52 555 087 2443

PUEBLA

Callejón del Cristo 2 Int. 6 A
Col. San José del Puente
72150 Puebla, Pue, México

+52 222 688 8442

Light Source

1x LED Optical Module 120°15W
2300lm / 120 V ~ 60 Hz 0.118 A
3000K
Included

Indoor Use

bandidostudio.com

Bandido

OPERATION INSTRUCTIONS

- 1** Unpack carefully. The materials are brittle and can easily crack.
- 2** Follow instructions on back of sheet for installation of this product.

SPARE PARTS

- For LED module replacement, contact Bandido directly.



Handle with care, fragile materials.



The warranty is void if the luminaire is opened or internally modified.

INSTALLATION GUIDE

Sconce Lamp

We suggest that any electrical work be performed by a qualified specialist.







CAUTION: Turn off the power supply before executing any electrical installation.

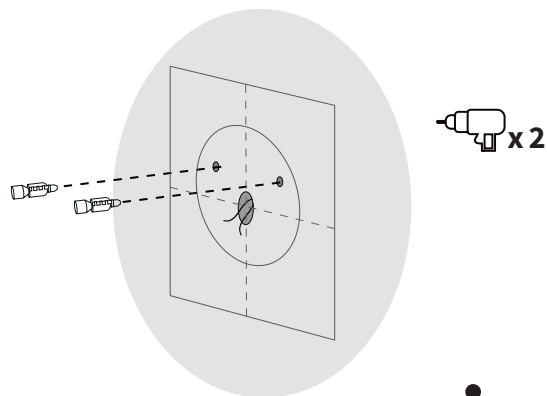


Structural reinforcement is recommended for walls and ceilings made of drywall or other similar finishes.

Included Parts:

- | | | | |
|---|------------------------------|---|-------------------------------|
|  | Hexagonal Screw
2x |  | Connector
1x |
|  | Wall plug
2x |  | Cable Holder "8"
1x |

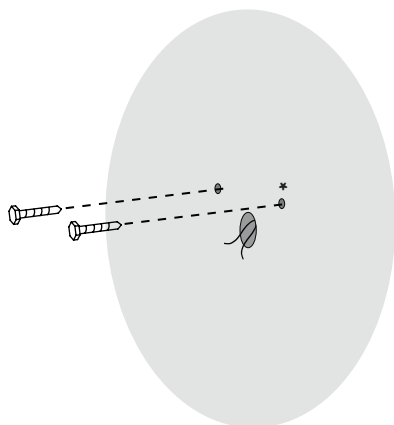
1 Placement of wall plugs. Before drilling, mark the drilling points according to the **Fixing template** and ensure they are correctly aligned.



It is recommended that installation be performed by two people.

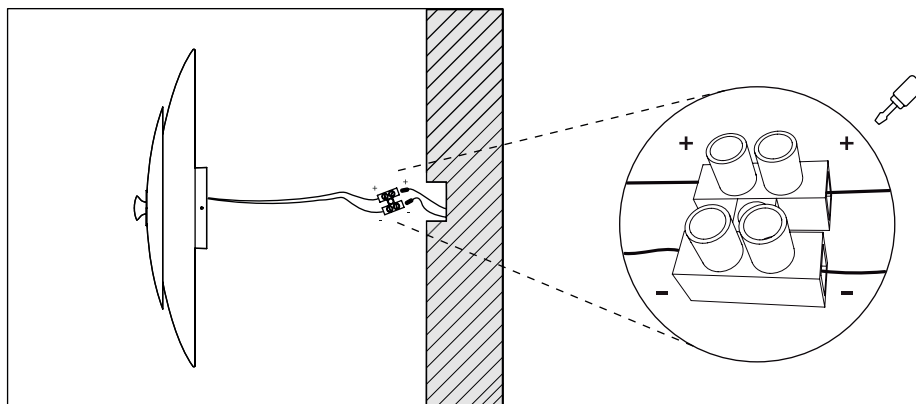


2 Placement of hexagonal screws.

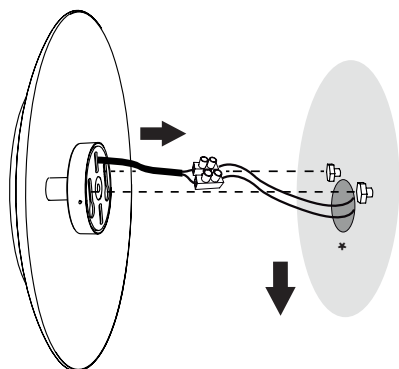


* Leave a 2-3 mm separation from wall.

3 Connect + to + and - to - using the connector.



4 Carefully align the fixture body and position it onto the hexagonal screws.



* Place the cables inside the hole on wall.



Handle with care, fragile materials.



The warranty is void if the luminaire is opened or internally modified.

Bandido creates products that generate harmony and warmth in each space where they are present. We hope you enjoy your new product and exceeds all your expectations.

You can get more information about the maintenance of your product and warranty by scanning the following QR Code.

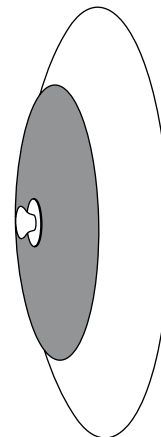


B

FASE 25

Sconce Lamp

Instructions



CDMX

Aristóteles 127
Polanco IV Sección Miguel Hidalgo
11550 CDMX, México

+52 555 087 2443

PUEBLA

Callejón del Cristo 2 Int. 6 A
Col. San José del Puente
72150 Puebla, Pue, México

+52 222 688 8442

Light Source

1x LED Optical Module 120°15W
2300lm / 120 V ~ 60 Hz 0.118 A
3000K
Included

Indoor Use

bandidostudio.com

Bandido

OPERATION INSTRUCTIONS

- 1** Unpack carefully. The materials are brittle and can easily crack.
- 2** Follow instructions on back of sheet for installation of this product.

Spare Parts

- For LED module replacement, contact Bandido directly.



Handle with care, fragile materials.



The warranty is void if the luminaire is opened or internally modified.

INSTALLATION GUIDE

Sconce Lamp

We suggest that any electrical work be performed by a qualified specialist.



CAUTION: Turn off the power supply before executing any electrical installation.



Structural reinforcement is recommended for walls and ceilings made of drywall or other similar finishes.

Included Parts:



Hexagonal Screw
2x



Connector
1x

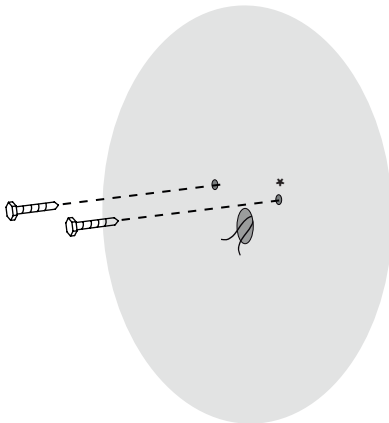


Wall plug
2x



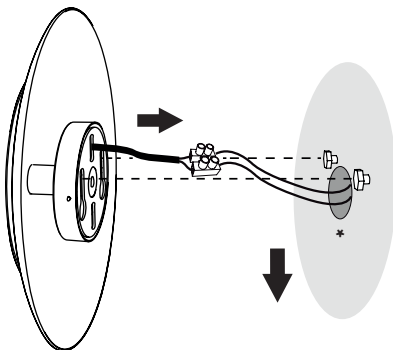
Cable Holder "8"
1x

2 Placement of hexagonal screws.



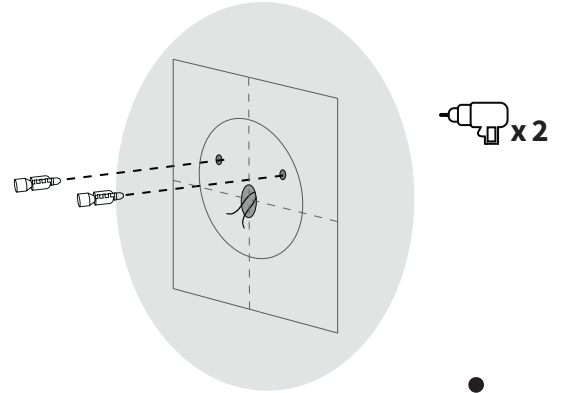
* Leave a 2-3 mm separation from wall.

4 Carefully align the fixture body and position it onto the hexagonal screws



* Place cables into the space in the wall.

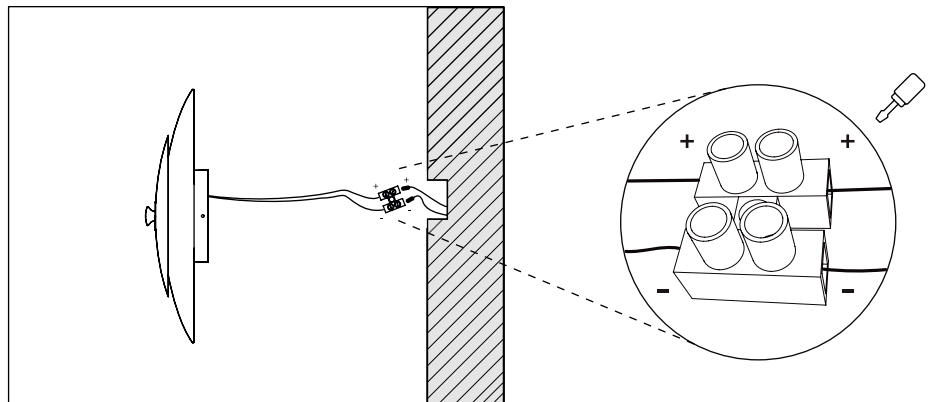
1 Placement of wall plugs. Before drilling, mark the drilling points according to the Fixing template and ensure they are correctly aligned.



It is recommended that installation be performed by two people.



3 Connect + to + and - to - using the connector.



Handle with care, fragile materials.



The warranty is void if the luminaire is opened or internally modified.

Bandido creates products that generate harmony and warmth in each space where they are present. We hope you enjoy your new product and exceeds all your expectations.

You can get more information about the maintenance of your product and warranty by scanning the following QR Code.

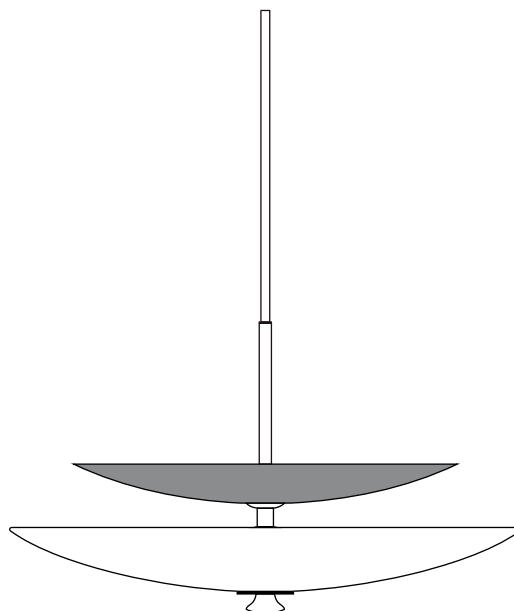


B

FASE

Pendant Lamp

Instructions



CDMX

Aristóteles 127
Polanco IV Sección Miguel Hidalgo
11550 CDMX, México

+52 555 087 2443

PUEBLA

Callejón del Cristo 2 Int. 6 A
Col. San José del Puente
72150 Puebla, Pue, México

+52 222 688 8442

Light Source

1 x LED Optical Module 120°18W
2300lm / 120 V ~ 60 Hz 0.118 A
3000K
Included

Indoor Use

bandidostudio.com

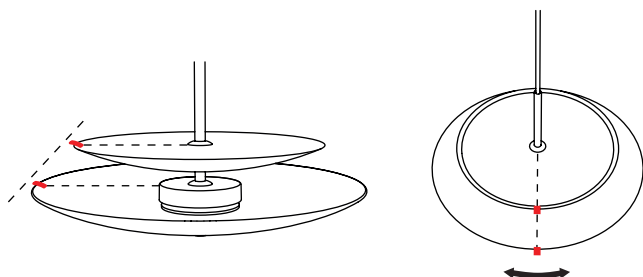
Bandido

OPERATION INSTRUCTIONS

- 1** Unpack carefully. The materials are brittle and can easily crack.
- 2** Follow instructions on back of sheet for installation of this product.
- 3** Rotate onyx disc to align the guide tags.

Spare Parts

- For LED module replacement, contact Bandido directly.



Handle with care, fragile materials.



The warranty is void if the luminaire is opened or internally modified.

INSTALLATION GUIDE

Pendant Lamp

We suggest that any electrical work be performed by a qualified specialist.

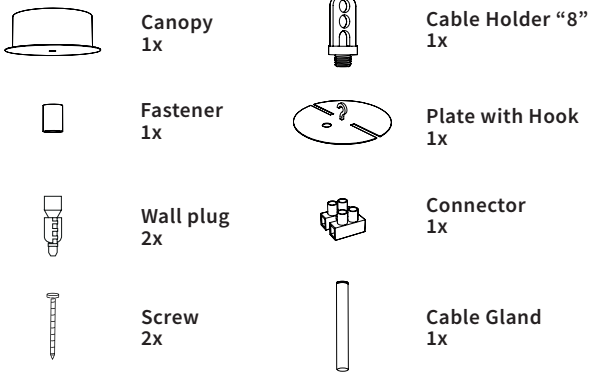


CAUTION: Turn off the power supply before executing any electrical installation.

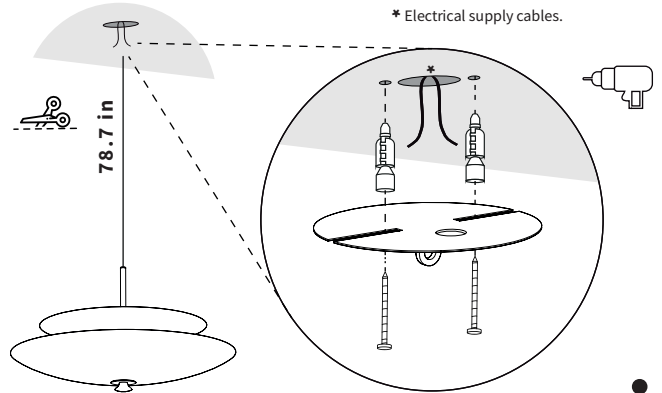


Structural reinforcement is recommended for walls and ceilings made of drywall or other similar finishes.

Included Parts:



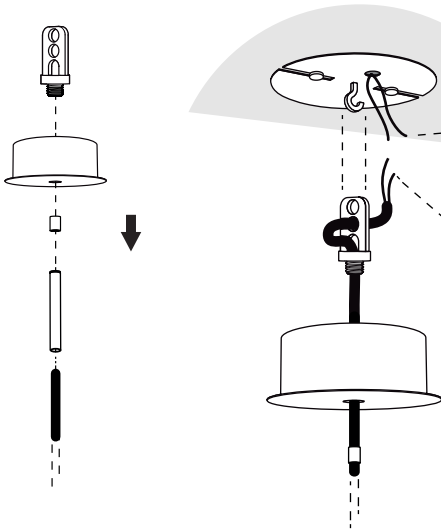
1 Cut the cable to the desired length. Place the wall plugs and fix the plate with the screws to the ceiling.



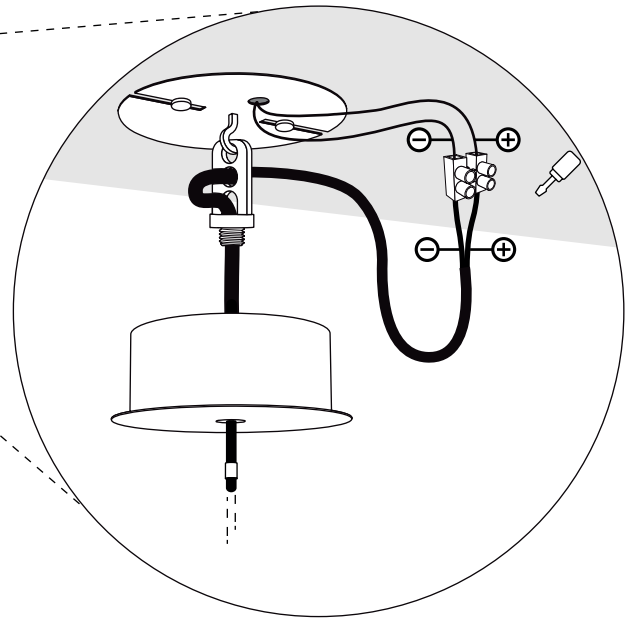
It is recommended that installation be performed by two people.



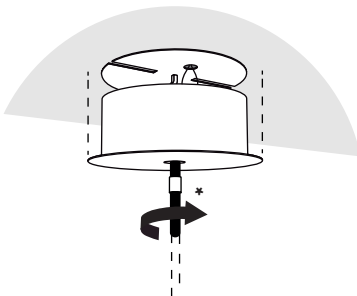
2 Pass the cable gland, fastener, canopy and cable holder "8" through the cable, then hang it on to the hook.



3 Connect + to + and - to - using the connector.



4 Installation of canopy.



* Screw fastener lightly until the canopy is secure.



Handle with care, fragile materials.

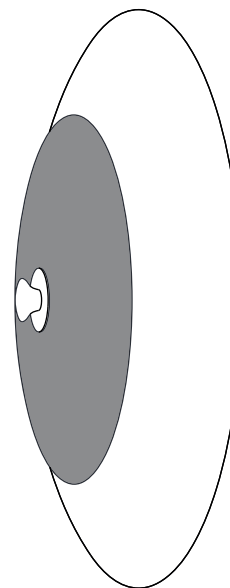
Bandido creates products that generate harmony and warmth in each space where they are present. We hope you enjoy your new product and exceeds all your expectations.

You can get more information about the maintenance of your product and warranty by scanning the following QR Code.



B FASE 40

Sconce Lamp Instructions



CDMX

Aristóteles 127
Polanco IV Sección Miguel Hidalgo
11550 CDMX, México

+52 555 087 2443

PUEBLA

Callejón del Cristo 2 Int. 6 A
Col. San José del Puente
72150 Puebla, Pue, México

+52 222 688 8442

Light Source

1x LED Optical Module 120°15W
2300lm / 120 V ~ 60 Hz 0.118 A
3000K
Included

Indoor Use

bandidostudio.com

Bandido

OPERATION INSTRUCTIONS

- 1** Unpack carefully. The materials are brittle and can easily crack.
- 2** Follow instructions on back of sheet for installation of this product.

SPARE PARTS

- For LED module replacement, contact Bandido directly.



Handle with care, fragile materials.



The warranty is void if the luminaire is opened or internally modified.

INSTALLATION GUIDE

Sconce Lamp

We suggest that any electrical work be performed by a qualified specialist.



CAUTION: Turn off the power supply before executing any electrical installation.



Structural reinforcement is recommended for walls and ceilings made of drywall or other similar finishes.

Included Parts:



Hexagonal Screw
2x



Connector
1x

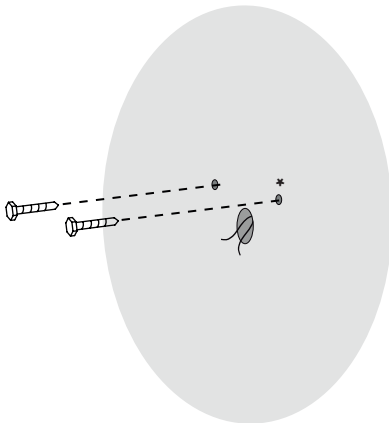


Wall plug
2x



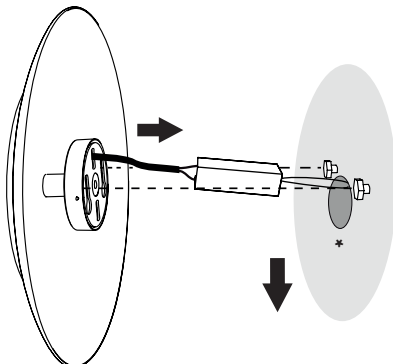
Cable Holder "8"
1x

2 Placement of hexagonal screws.



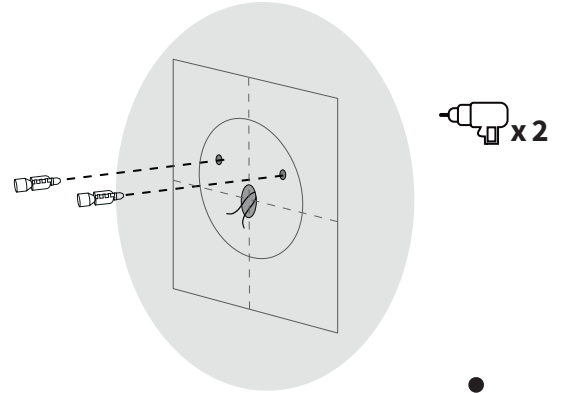
* Leave a 2-3 mm separation from wall.

4 Carefully align the fixture body and position it onto the hexagonal screws.



* Place the driver inside the hole on wall.

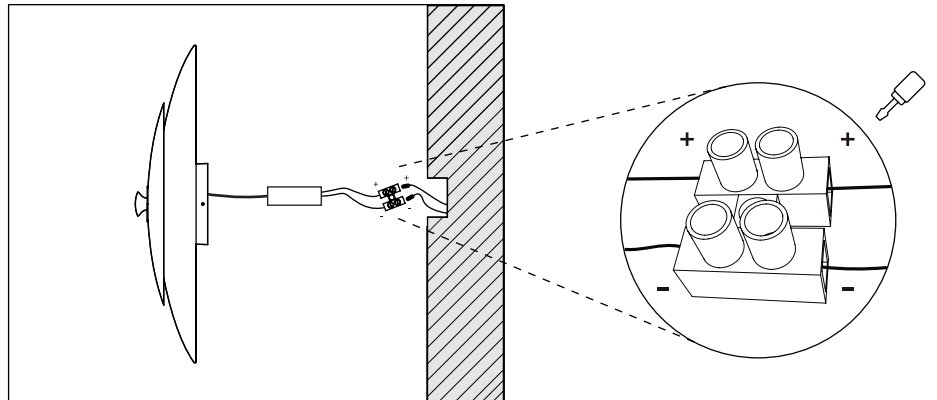
1 Placement of wall plugs. Before drilling, mark the drilling points according to the Fixing template and ensure they are correctly aligned.



x 2

It is recommended that installation be performed by two people.

3 Connect + to + and - to - using the connector.



Handle with care, fragile materials.



The warranty is void if the luminaire is opened or internally modified.

Bandido creates products that generate harmony and warmth in each space where they are present. We hope you enjoy your new product and exceeds all your expectations.

You can get more information about the maintenance of your product and warranty by scanning the following QR Code.

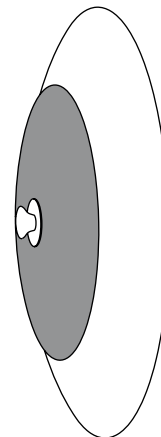


B

FASE 25

Sconce Lamp

Instructions



CDMX

Aristóteles 127
Polanco IV Sección Miguel Hidalgo
11550 CDMX, México

+52 555 087 2443

PUEBLA

Callejón del Cristo 2 Int. 6 A
Col. San José del Puente
72150 Puebla, Pue, México

+52 222 688 8442

Light Source

1x LED Optical Module 120°15W

2300lm / 120 V ~ 60 Hz 0.118 A

3000K

Included

Indoor Use

bandidostudio.com

Bandido

OPERATION INSTRUCTIONS

- 1** Unpack carefully. The materials are brittle and can easily crack.
- 2** Follow instructions on back of sheet for installation of this product.

Spare Parts

- For LED module replacement, contact Bandido directly.



Handle with care, fragile materials.



The warranty is void if the luminaire is opened or internally modified.

INSTALLATION GUIDE

Sconce Lamp

We suggest that any electrical work be performed by a qualified specialist.



CAUTION: Turn off the power supply before executing any electrical installation.



Structural reinforcement is recommended for walls and ceilings made of drywall or other similar finishes.

Included Parts:



Hexagonal Screw
2x



Connector
1x

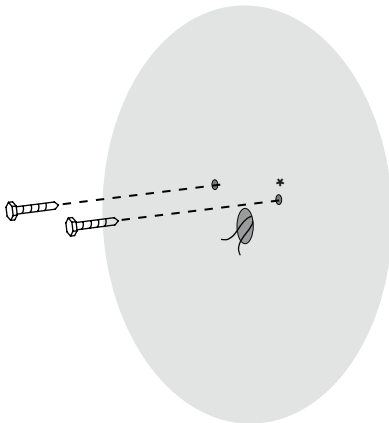


Wall plug
2x



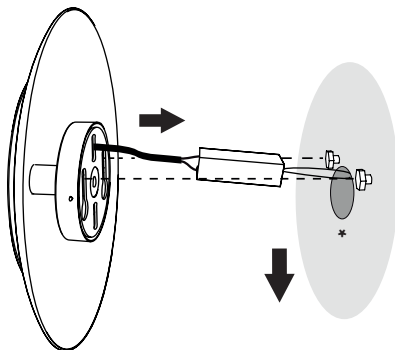
Cable Holder "8"
1x

2 Placement of hexagonal screws.



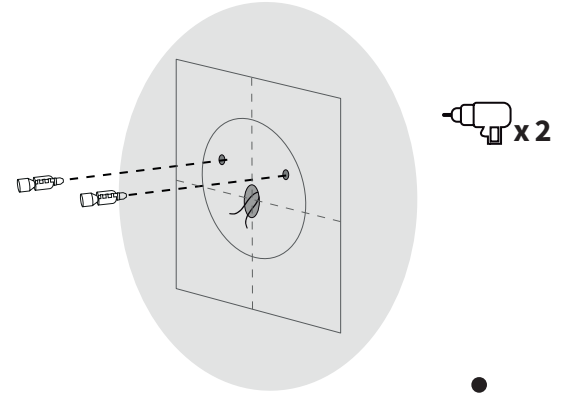
* Leave a 2-3 mm separation from wall.

4 Carefully align the fixture body and position it onto the hexagonal screws.



* Place the driver into the space in the wall.

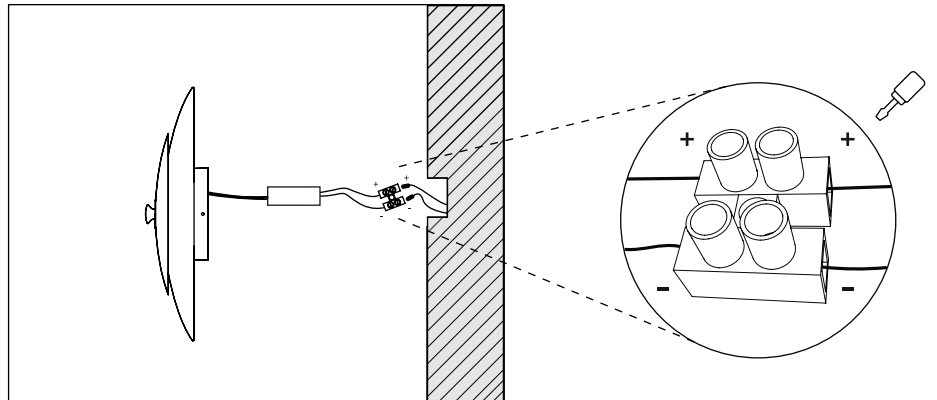
1 Placement of wall plugs. Before drilling, mark the drilling points according to the Fixing template and ensure they are correctly aligned.



It is recommended that installation be performed by two people.



3 Connect + to + and - to - using the connector.



Handle with care, fragile materials.



The warranty is void if the luminaire is opened or internally modified.

Bandido creates products that generate harmony and warmth in each space where they are present. We hope you enjoy your new product and exceeds all your expectations.

You can get more information about the maintenance of your product and warranty by scanning the following QR Code.

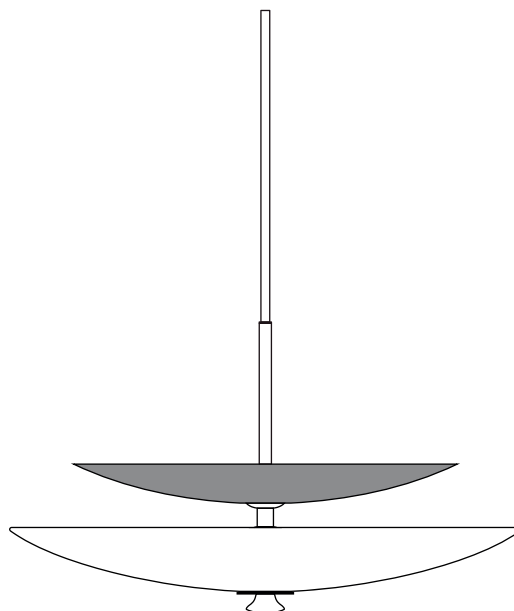


B

FASE

Pendant Lamp

Instructions



CDMX

Aristóteles 127
Polanco IV Sección Miguel Hidalgo
11550 CDMX, México

+52 555 087 2443

PUEBLA

Callejón del Cristo 2 Int. 6 A
Col. San José del Puente
72150 Puebla, Pue, México

+52 222 688 8442

Light Source

1 x LED Optical Module 120°18W
2300lm / 120 V ~ 60 Hz 0.118 A
3000K
Included

Indoor Use

bandidostudio.com

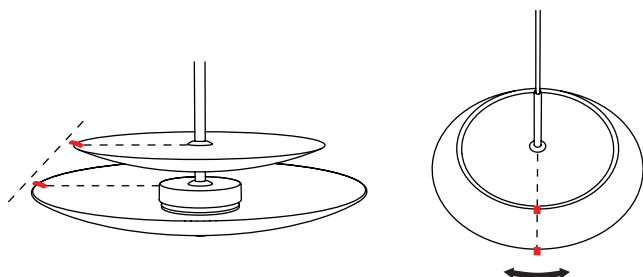
Bandido

OPERATION INSTRUCTIONS

- 1** Unpack carefully. The materials are brittle and can easily crack.
- 2** Follow instructions on back of sheet for installation of this product.
- 3** Rotate onyx disc to align the guide tags.

Spare Parts

- For LED module replacement, contact Bandido directly.



Handle with care, fragile materials.



The warranty is void if the luminaire is opened or internally modified.

INSTALLATION GUIDE

Pendant Lamp

We suggest that any electrical work be performed by a qualified specialist.


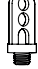





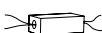


CAUTION: Turn off the power supply before executing any electrical installation.

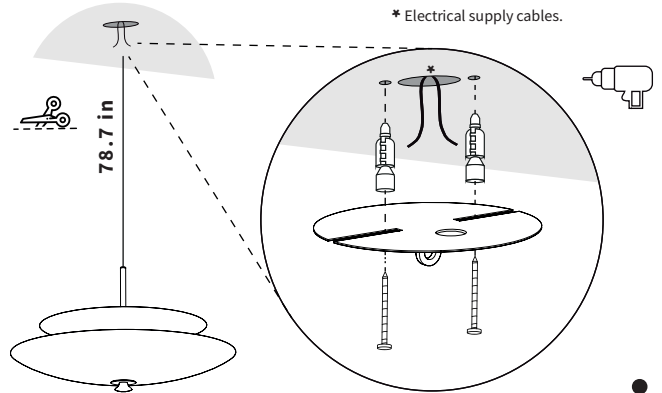


Structural reinforcement is recommended for walls and ceilings made of drywall or other similar finishes.

Included Parts:

	Canopy 1x		Cable Holder "8" 1x
	Fastener 1x		Plate with Hook 1x
	Wall plug 2x		Connector 1x
	Screw 2x		Driver 1x

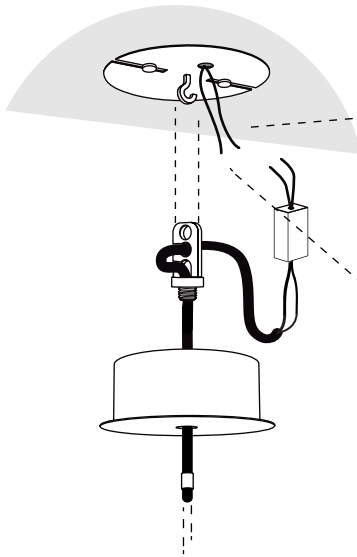
1 Cut the cable to the desired length. Place the wall plugs and fix the plate with the screws to the ceiling.



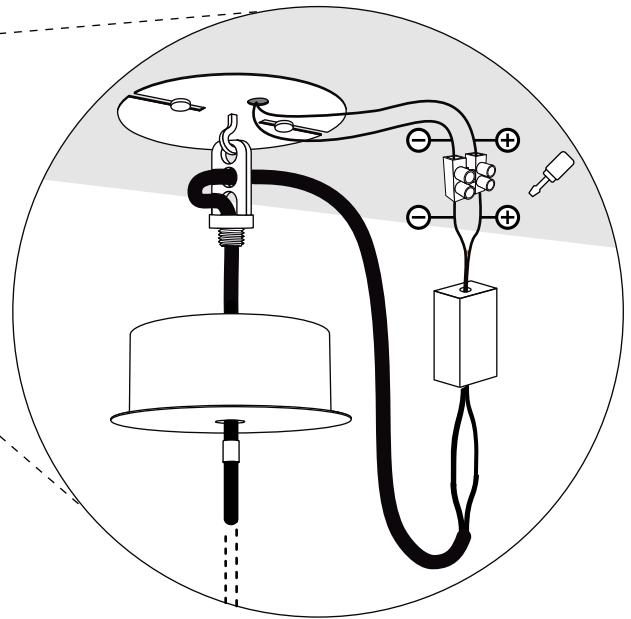
It is recommended that installation be performed by two people.



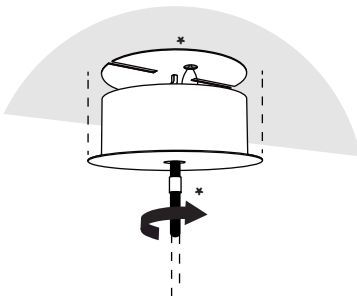
2 Hang the cable holder "8" on to the hook.



3 Connect + to + and - to - using the connector.



4 Installation of canopy.



- * Place Driver inside canopy.
- * Screw fastener lightly until the canopy is secure.



Handle with care, fragile materials.

Bandido creates products that generate harmony and warmth in each space where they are present. We hope you enjoy your new product and exceeds all your expectations.

You can get more information about the maintenance of your product and warranty by scanning the following QR Code.

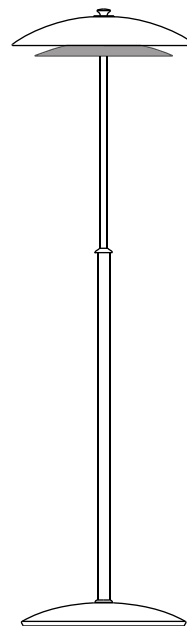


B

FASE

Floor Lamp

Instructions



CDMX

Aristóteles 127
Polanco IV Sección Miguel Hidalgo
11550 CDMX, México

+52 555 087 2443

PUEBLA

Callejón del Cristo 2 Int. 6 A
Col. San José del Puente
72150 Puebla, Pue, México

+52 222 688 8442

Light Source

Optical LED Module 120°18W

2300lm / 120 V ~ 60 Hz 0.141 A

3000K

Included

Indoor Use

bandidostudio.com

Bandido

INDICACIONES DE USO

1 Unpack carefully. The materials are brittle and can easily crack.

2 Plug into an electrical outlet.

3 Use the button switch to turn on and off.

Spare Parts

- For LED module replacement, contact Bandido directly.



Handle with care, fragile materials.



The warranty is void if the luminaire is opened or internally modified.

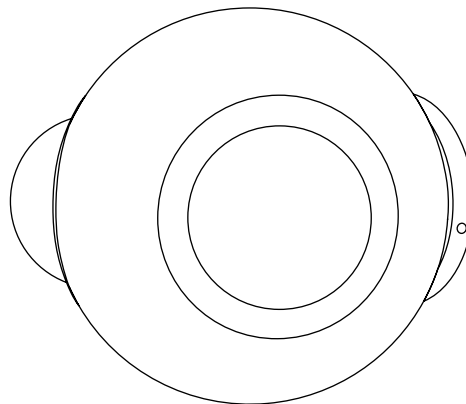
Bandido creates products that generate harmony and warmth in each space where they are present. We hope you enjoy your new product and exceeds all your expectations.

You can get more information about the maintenance of your product and warranty by scanning the following QR Code.



B HUMO 18

Sconce Lamp Instructions



CDMX

Aristóteles 127
Polanco IV Sección Miguel Hidalgo
11550 CDMX, México

+52 555 087 2443

PUEBLA

Callejón del Cristo 2 Int. 6 A
Col. San José del Puente
72150 Puebla, Pue, México

+52 222 688 8442

Light Source

2 x 2.5 W G9 LED COB 250 lm
120 - 127 V ~ 60 Hz 0.020 A
2700K
Included

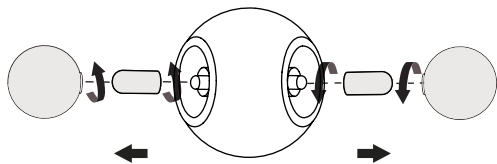
Indoor Use

bandidostudio.com

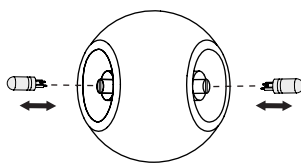
Bandido

BULB REPLACEMENT

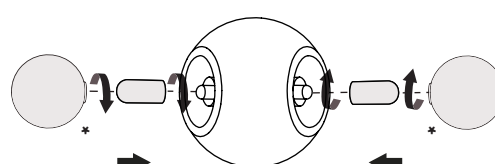
1



2




3



* Align and screw in slightly,
the diffuser may break.

 Handle with care, fragile materials.

 Use only LED bulbs.

INSTALLATION GUIDE

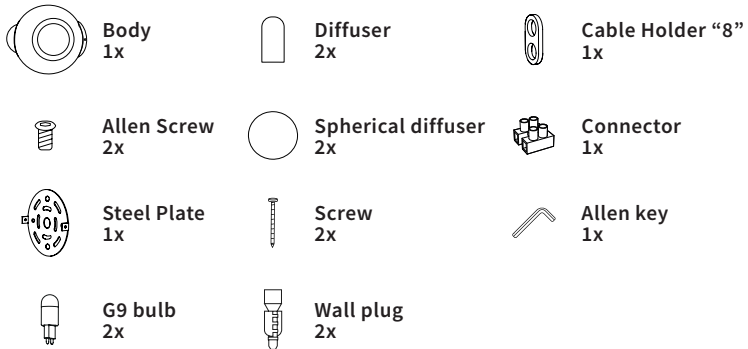
Sconce Lamp



CAUTION: Turn off the power supply before executing any electrical installation.

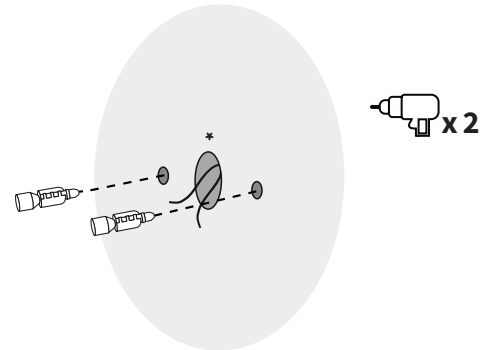
We suggest that any electrical work be performed by a qualified specialist.

Included Parts:



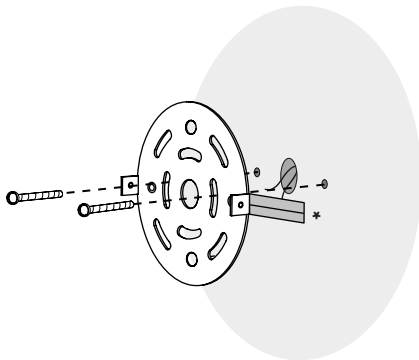
1 Placement of wall plugs. Before drilling, mark the location of the screws according to the **installation template**.

* Electrical supply cables.

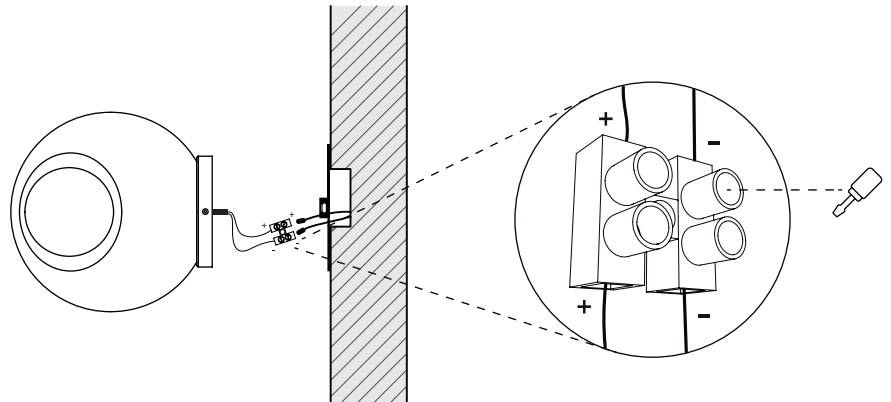


2 Fixing the steel plate.

* Use the labels as a guide for positioning the diffusers.

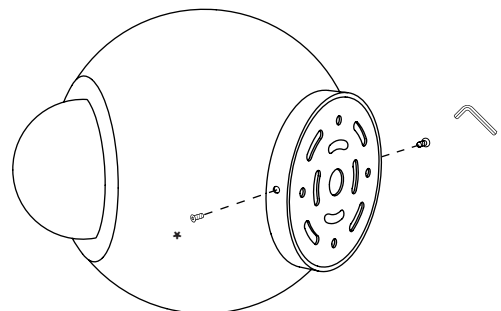
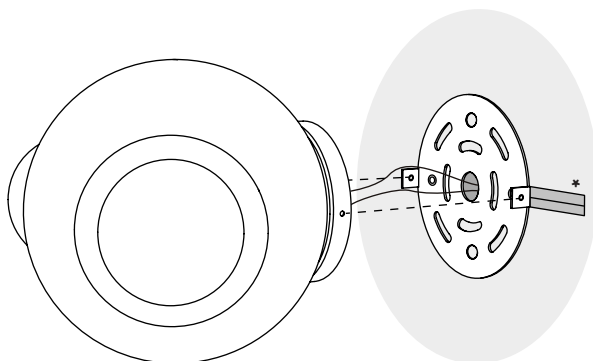


3 Connect + to + and - to - using the connector.



4 Secure body to steel plate.

* Remove label once the lamp has been installed.



* Allen screws are pre-installed.



Handle with care, fragile materials.

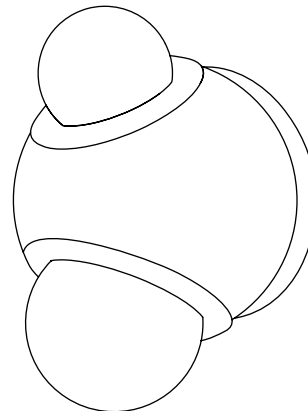
Bandido creates products that generate harmony and warmth in each space where they are present. We hope you enjoy your new product and exceeds all your expectations.

You can get more information about the maintenance of your product and warranty by scanning the following QR Code.



B HUMO 13

Sconce Lamp Instructions



CDMX

Aristóteles 127
Polanco IV Sección Miguel Hidalgo
11550 CDMX, México

+52 555 087 2443

PUEBLA

Callejón del Cristo 2 Int. 6 A
Col. San José del Puente
72150 Puebla, Pue, México

+52 222 688 8442

Light Source

2 x 2.5 W G9 LED COB 250 lm
120 - 127 V ~ 60 Hz 0.020 A
2700K
Included

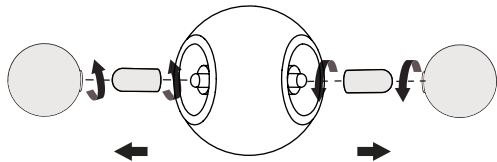
Indoor Use

bandidostudio.com

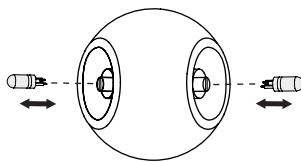
Bandido

BULB REPLACEMENT

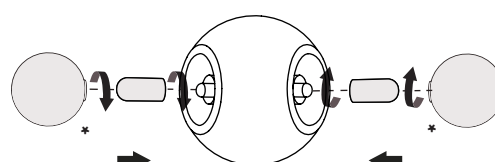
1




2




3



* Align and screw in slightly;
the diffuser may break.

 Handle with care, fragile materials.

 Use only LED bulbs.

INSTALLATION GUIDE

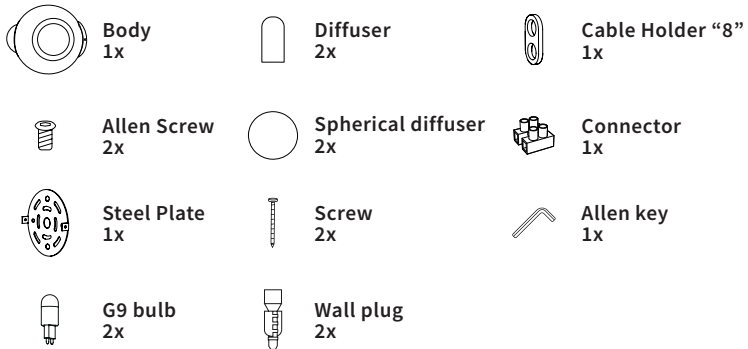
Sconce Lamp



CAUTION: Turn off the power supply before executing any electrical installation.

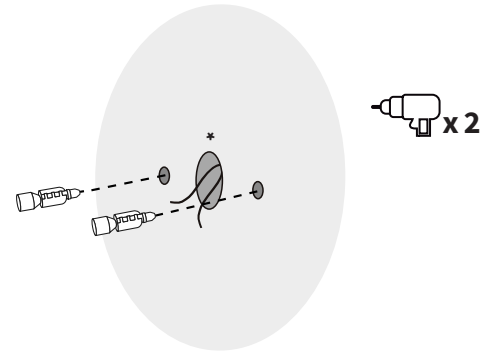
We suggest that any electrical work be performed by a qualified specialist.

Included Parts:



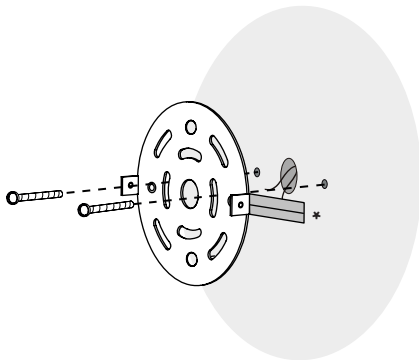
1 Placement of wall plugs. Before drilling, mark the location of the screws according to the **installation template**.

* Electrical supply cables.

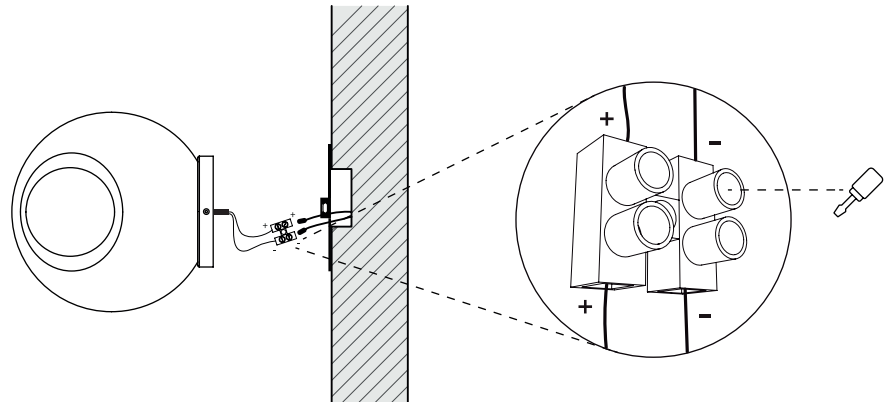


2 Fixing the steel plate.

* Use the labels as a guide for positioning the diffusers.

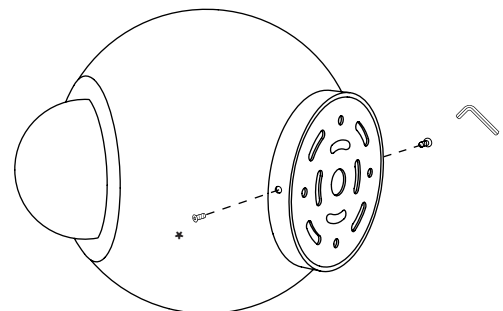
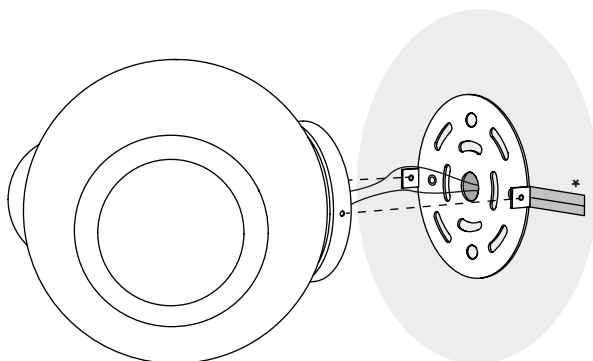


3 Connect + to + and - to - using the connector.



4 Secure body to steel plate.

* Remove label once the lamp has been installed.



* Allen screws are pre-installed.



Handle with care, fragile materials.

Bandido creates products that generate harmony and warmth in each space where they are present. We hope you enjoy your new product and exceeds all your expectations.

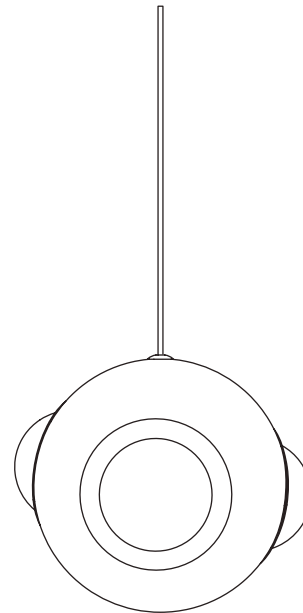
You can get more information about the maintenance of your product and warranty by scanning the following QR Code.



B HUMO 18

Pendant Lamp

Instructions



CDMX

Aristóteles 127
Polanco IV Sección Miguel Hidalgo
11550 CDMX, México

+52 555 087 2443

PUEBLA

Callejón del Cristo 2 Int. 6 A
Col. San José del Puente
72150 Puebla, Pue, México

+52 222 688 8442

Light Source

3 x 2.5 W G9 LED COB 250 lm

120 - 127 V - 60 Hz 0.020 A

2700 K

Included

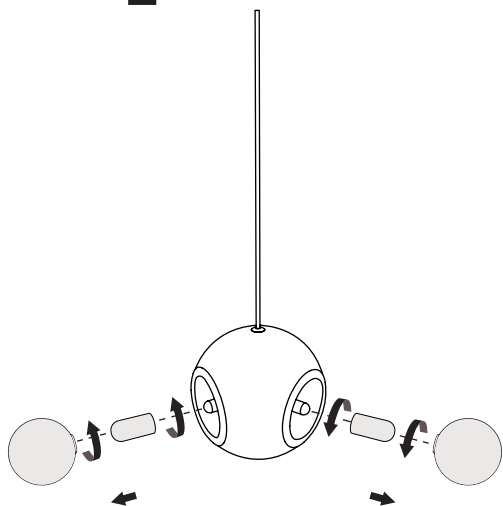
Indoor Use

bandidostudio.com

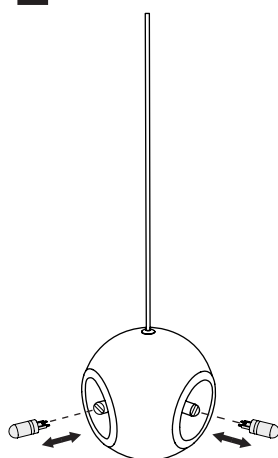
Bandido

BULB REPLACEMENT

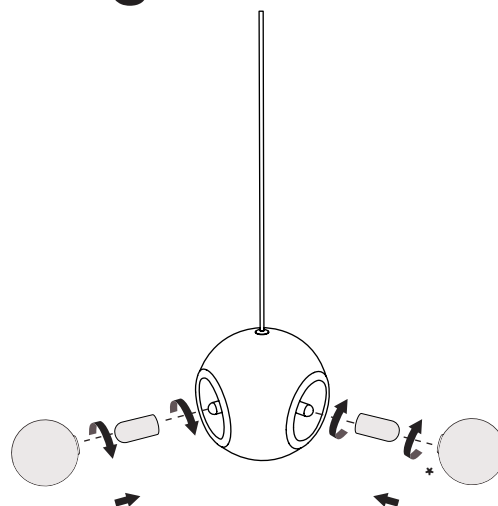
1



2



3



* Align and screw in slightly;
the diffusers may break.



Handle with care, fragile materials.



Use only LED bulbs.

INSTALLATION GUIDE

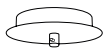
Pendant Lamp



CAUTION: Turn off the power supply before executing any electrical installation.

We suggest that any electrical work be performed by a qualified specialist.

Included Parts:



Canopy
1x



Connector
1x



Mounting Kit
1x



G9 bulb
3x



Wall plug
2x



Diffuser
3x



Screw
2x



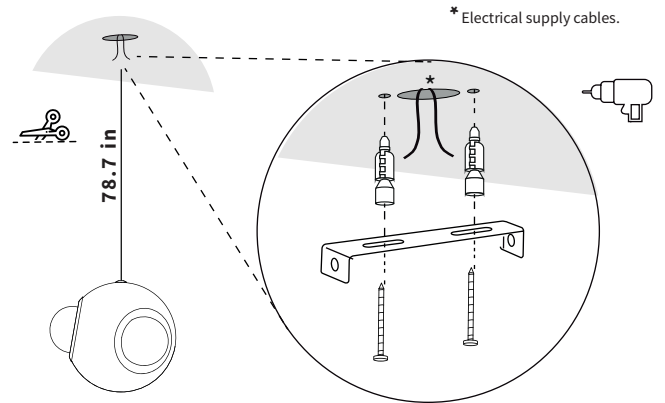
Spherical Diffuser
3x



Cable Holder "8"
1x

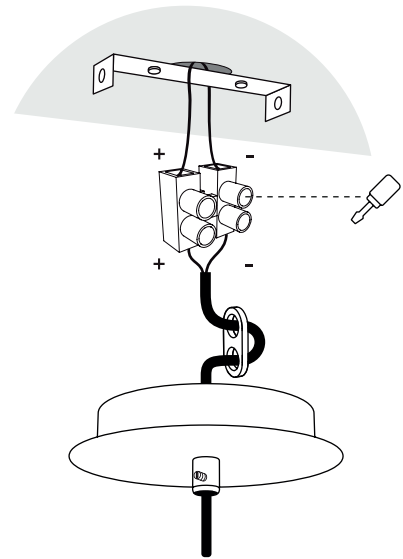
1

Cut the cable to the desired length. Install the wall plugs and fix the light crossbar to the ceiling.



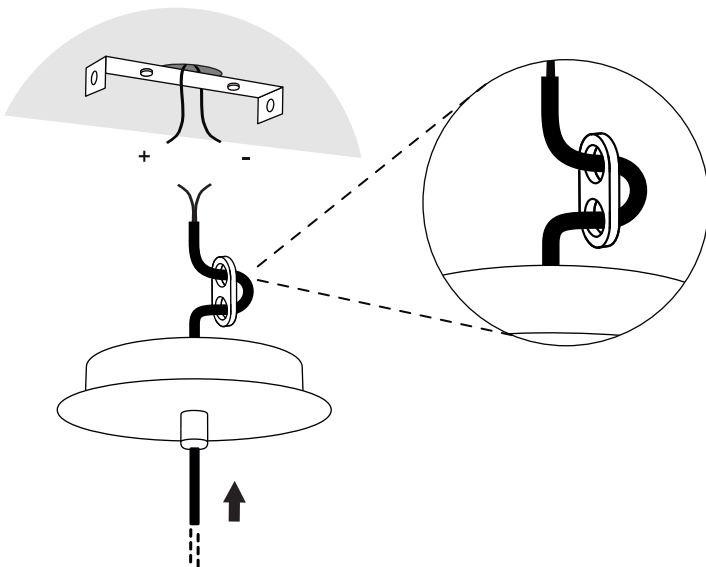
3

Connect + to + and - to - using the connector.



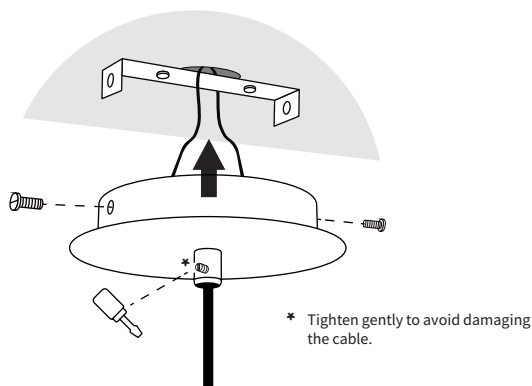
2

Pass the canopy and cable holder "8" through the cable.



4

Secure the canopy to the ceiling.



Handle with care, fragile materials.

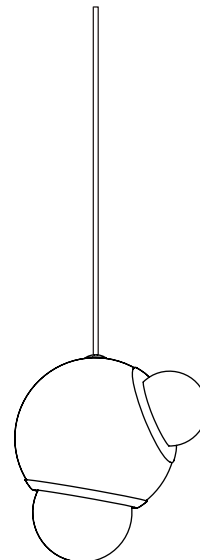
Bandido creates products that generate harmony and warmth in each space where they are present. We hope you enjoy your new product and exceeds all your expectations.

You can get more information about the maintenance of your product and warranty by scanning the following QR Code.



B HUMO 13

Pendant Lamp Instructions



CDMX

Aristóteles 127
Polanco IV Sección Miguel Hidalgo
11550 CDMX, México

+52 555 087 2443

PUEBLA

Callejón del Cristo 2 Int. 6 A
Col. San José del Puente
72150 Puebla, Pue, México

+52 222 688 8442

Light Source

2 x 2.5 W G9 LED COB 250 lm

120 - 127 V - 60 Hz 0.020 A

2700 K

Included

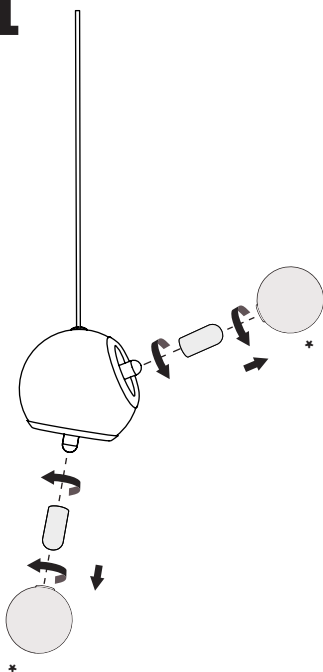
Indoor Use

bandidostudio.com

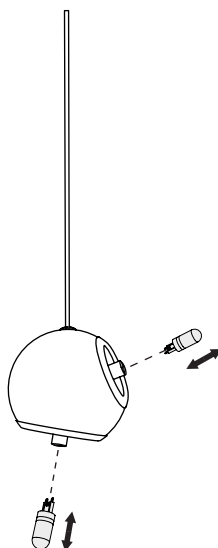
Bandido

BULB REPLACEMENT

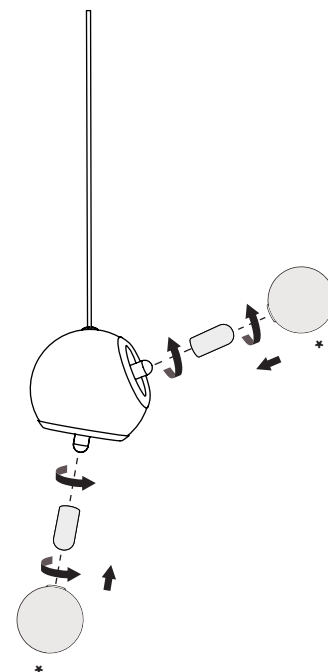
1



2




3



* Align and screw in slightly;
the diffusers may break.

 Handle with care, fragile materials.

 Use only LED bulbs.

INSTALLATION GUIDE

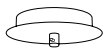
Pendant Lamp



CAUTION: Turn off the power supply before executing any electrical installation.

We suggest that any electrical work be performed by a qualified specialist.

Included Parts:



Canopy
1x



Connector
1x



Mounting kit
1x



G9 bulb
2x



Wall plug
2x



Diffuser
2x



Screw
2x

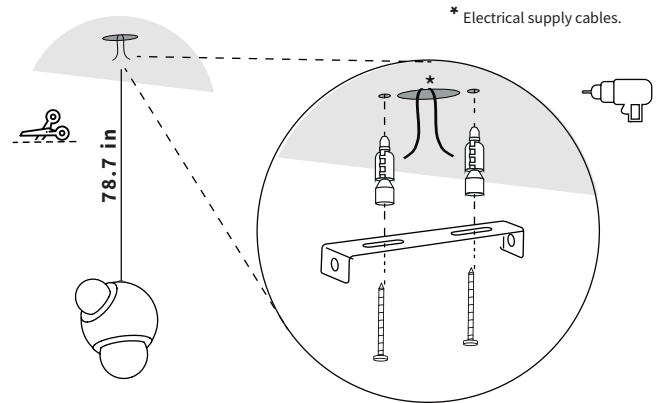


Spherical diffuser
2x

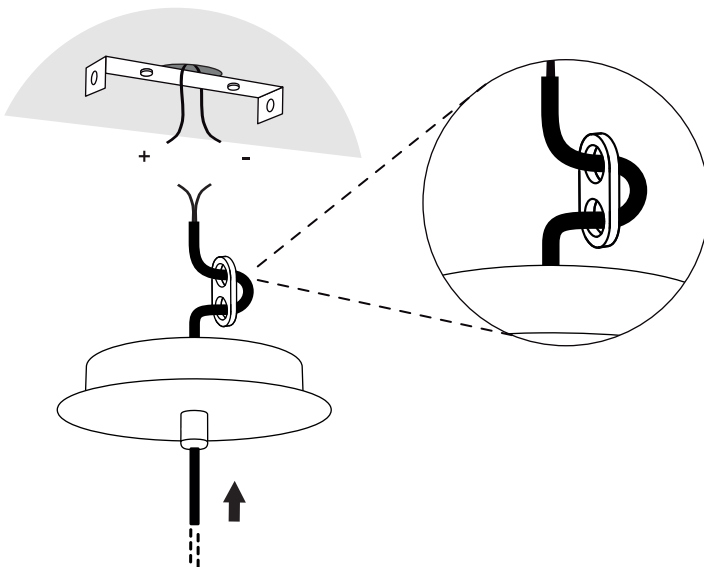


Cable holder "8"
1x

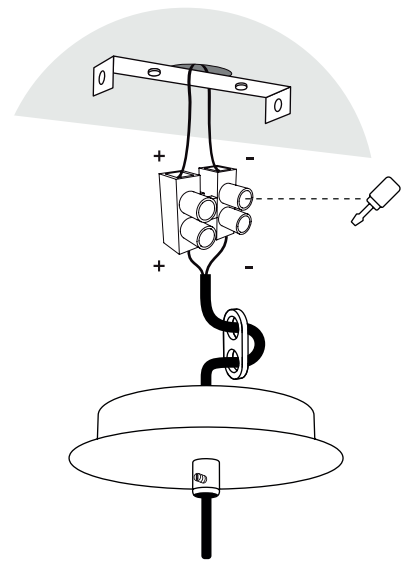
1 Cut the cable to the desired length. Install the wall plugs and fix the light crossbar to the ceiling.



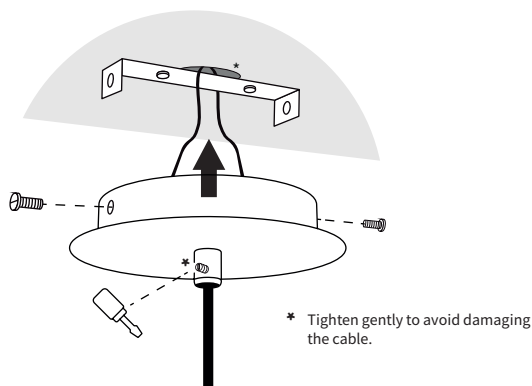
2 Pass the canopy and the cable holder "8" through the cable.



3 Connect + to + and - to - using the connector.



4 Secure the canopy to the ceiling.



Handle with care, fragile materials.

Bandido creates products that generate harmony and warmth in each space where they are present. We hope you enjoy your new product and exceeds all your expectations.

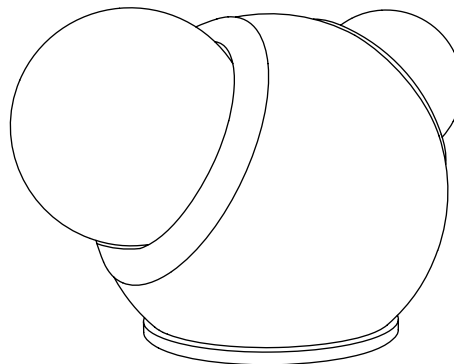
You can get more information about the maintenance of your product and warranty by scanning the following QR Code.



B HUMO

Table Lamp

Instructions



CDMX

Aristóteles 127
Polanco IV Sección Miguel Hidalgo
11550 CDMX, México

+52 555 087 2443

PUEBLA

Callejón del Cristo 2 Int. 6 A
Col. San José del Puente
72150 Puebla, Pue, México

+52 222 688 8442

Light Source

2x G9 LED COB 550 lm
120 - 127 V - 60 Hz 0.020 A
2700 K
Included

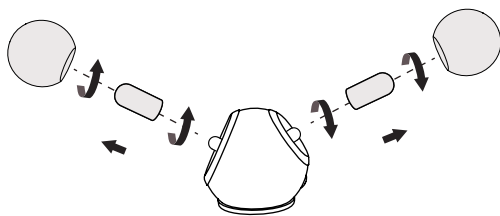
Indoor Use

bandidostudio.com

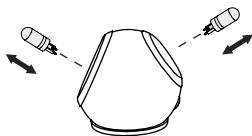
Bandido

BULB REPLACEMENT

1

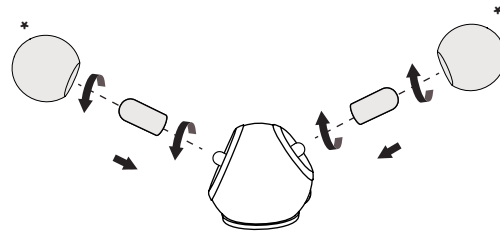


2




3

After installing the diffusers, connect to the power supply.



* Screw in slightly; the glass diffusers may break.

 Handle with care, fragile materials.

 Use only LED bulbs.

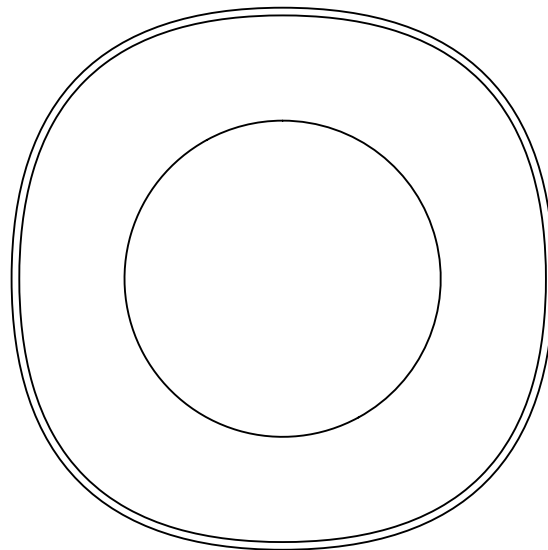
Bandido creates products that generate harmony and warmth in each space where they are present. We hope you enjoy your new product and exceeds all your expectations.

You can get more information about the maintenance of your product and warranty by scanning the following QR Code.



B NAGA

Sconce Lamp Instructions



CDMX

Aristóteles 127
Polanco IV Sección Miguel Hidalgo
11550 CDMX, México

+52 555 087 2443

PUEBLA

Callejón del Cristo 2 Int. 6 A
Col. San José del Puente
72150 Puebla, Pue, México

+52 222 688 8442

Light Source

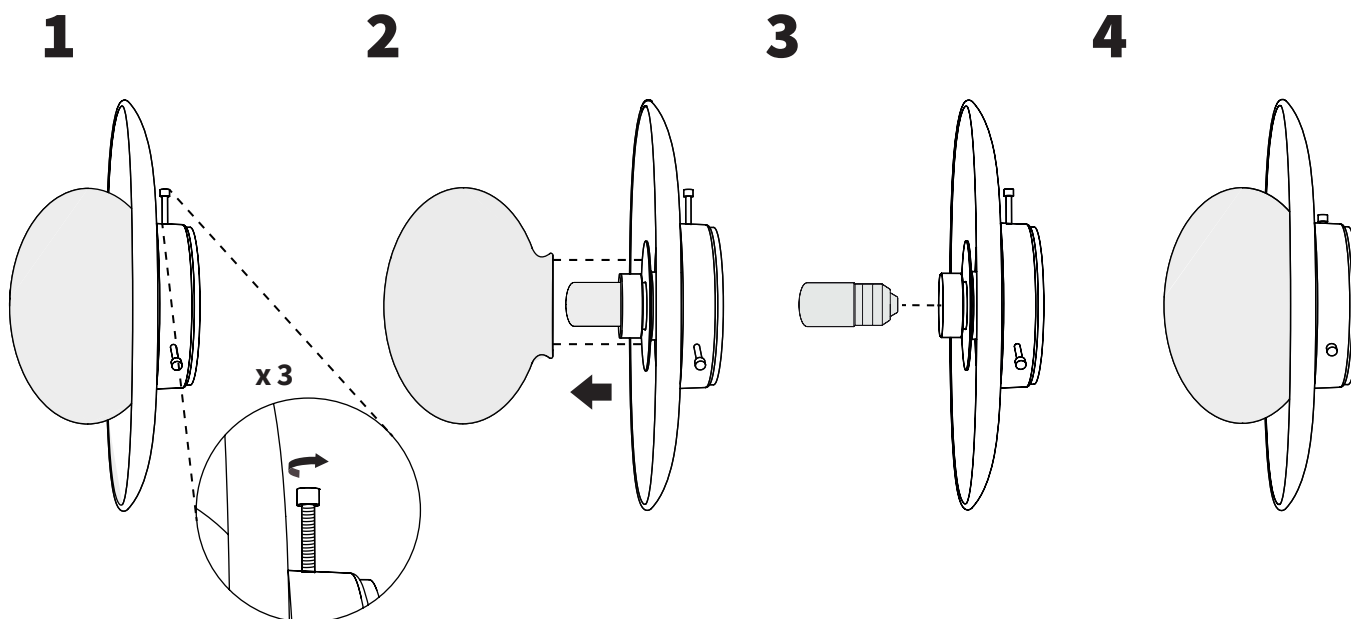
5 W E27 LED COB 550 lm
120 V ~ 60 Hz 0.020 A
2700K
Included

Indoor Use

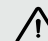
bandidostudio.com

Bandido

BULB REPLACEMENT



 Handle with care, fragile materials.

 Use only LED bulbs.

INSTALLATION GUIDE

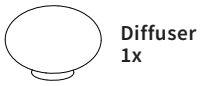
Scence Lamp



CAUTION: Turn off the power supply before executing any electrical installation.

We suggest that any electrical work be performed by a qualified specialist.

Included Parts:



Diffuser
1x



Wall plug
2x



E27 bulb
1x



Cable Holder "8"
1x



Allen screw
3x

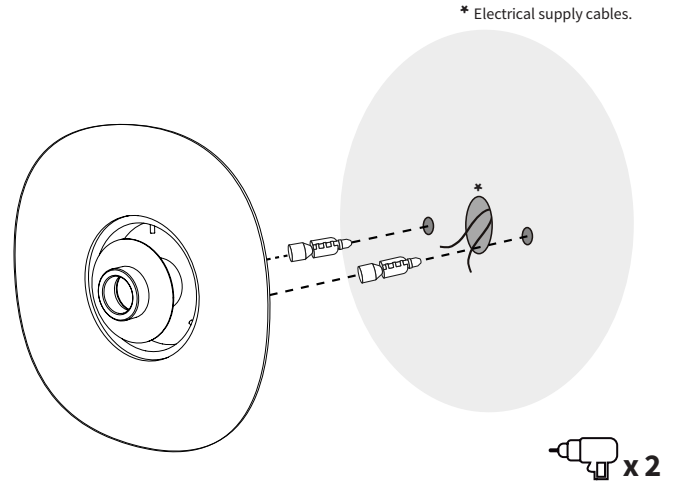


Connector
1x

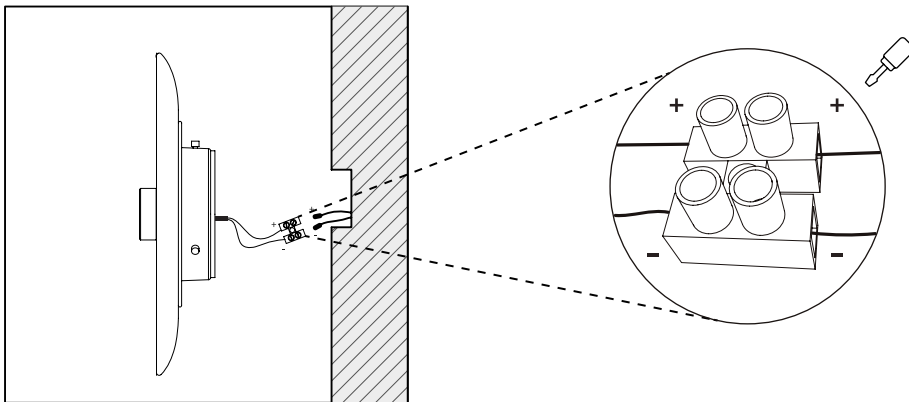


Screw
2x

1 Placement of wall plugs. Before drilling, mark the location of the screws according to the **installation template**.

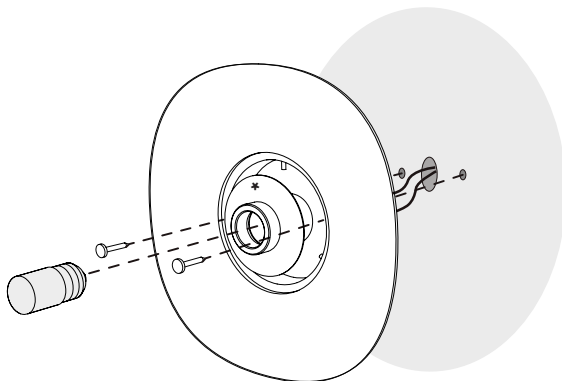


2 Connect + to + and - to - using the connector.

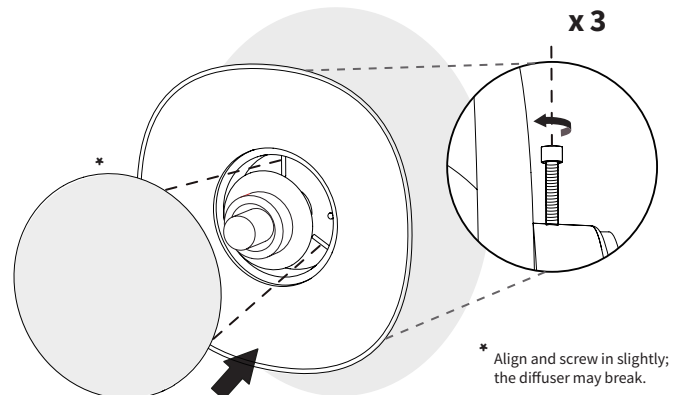


3 Fix the lamp to the wall and install light bulb.

* Unscrew to remove the felt and attach the lamp to the wall.



3 Place the diffuser and manually adjust the screws.



Handle with care, fragile materials.

Bandido creates products that generate harmony and warmth in each space where they are present. We hope you enjoy your new product and exceeds all your expectations.

You can get more information about the maintenance of your product and warranty by scanning the following QR Code.

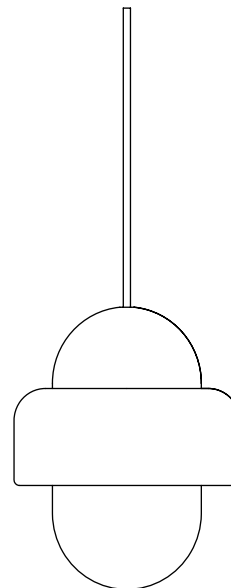


B

NAGA

Pendant Lamp

Instructions



CDMX

Aristóteles 127
Polanco IV Sección Miguel Hidalgo
11550 CDMX, México

+52 555 087 2443

PUEBLA

Callejón del Cristo 2 Int. 6 A
Col. San José del Puente
72150 Puebla, Pue, México

+52 222 688 8442

Light Source

5 W E27 LED COB 550 lm
120 V ~ 60 Hz 0.020 A
2700 K
Included

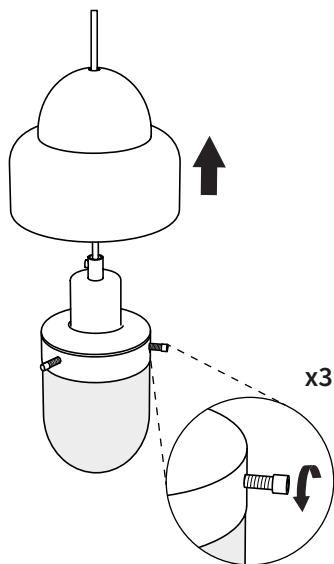
Indoor Use

bandidostudio.com

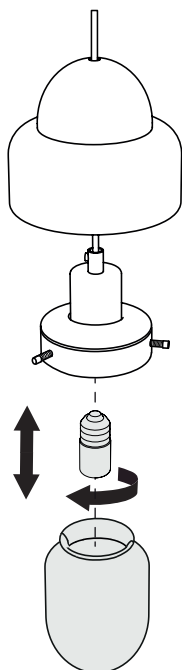
Bandido

BULB REPLACEMENT

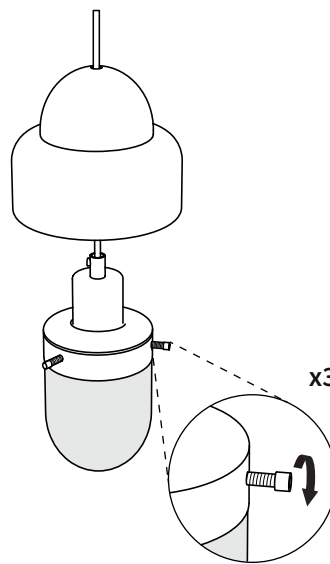
1



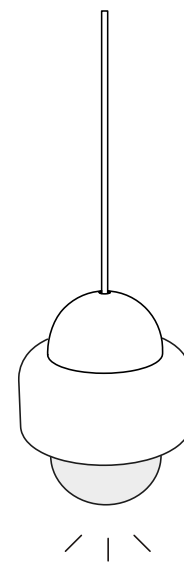
2



3



4



x 2

Two people are recommended to change the bulb.



Handle with care, fragile materials.



Use only LED bulbs.

INSTALLATION GUIDE

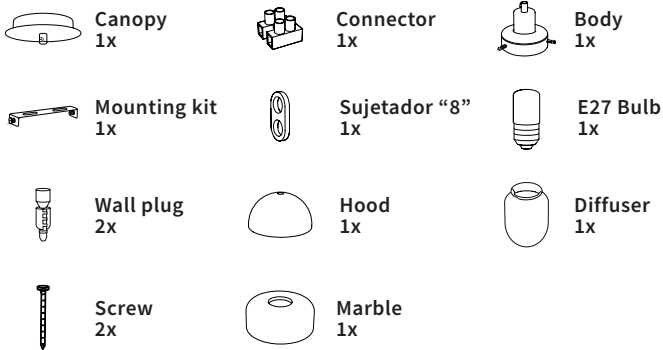
Pendant Lamp



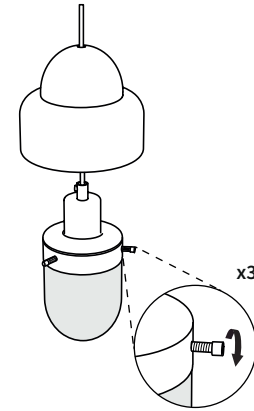
CAUTION: Turn off the power supply before executing any electrical installation.

We suggest that any electrical work be performed by a qualified specialist.

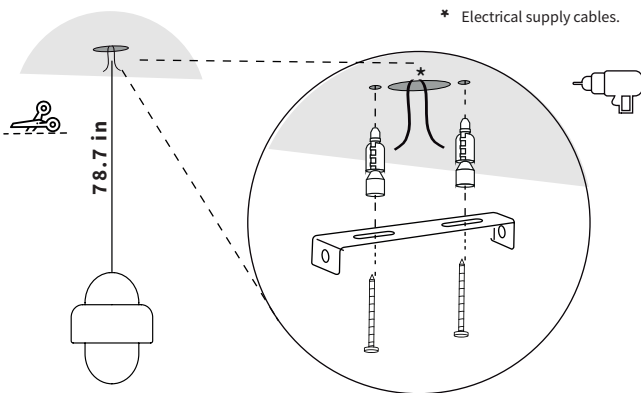
Included Parts:



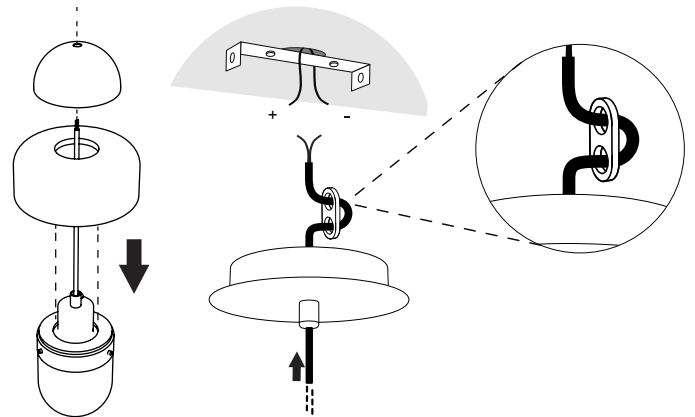
1 Place the light bulb and diffuser in the lamp body.



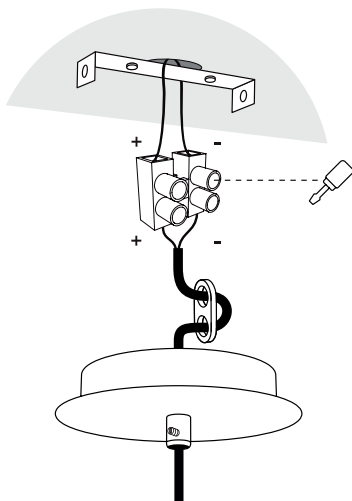
2 Cut the cable to the desired length. Install the wall plugs and fix the light crossbar to the ceiling.



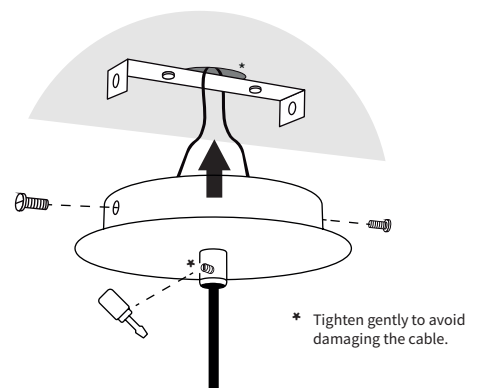
3 Pass the marble, hood, canopy, and "8" fastener through the cable.



4 Connect + to + and - to - using the connector.



5 Secure the canopy to the ceiling.



Handle with care, fragile materials.

Bandido creates products that generate harmony and warmth in each space where they are present. We hope you enjoy your new product and exceeds all your expectations.

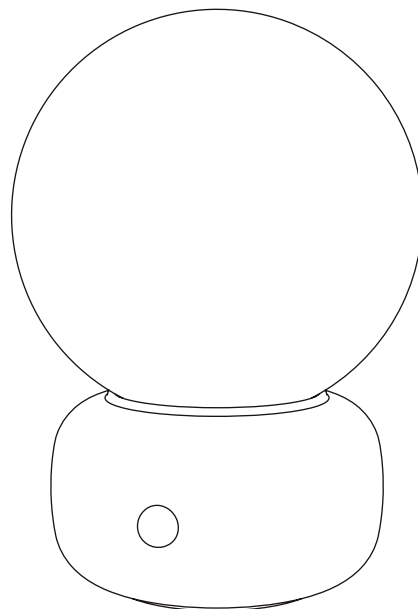
You can get more information about the maintenance of your product and warranty by scanning the following QR Code.



B NAGA

Table Lamp

Instructions



CDMX

Aristóteles 127
Polanco IV Sección Miguel Hidalgo
11550 CDMX, México

+52 555 087 2443

PUEBLA

Callejón del Cristo 2 Int. 6 A
Col. San José del Puente
72150 Puebla, Pue, México

+52 222 688 8442

bandidostudio.com

Light Source

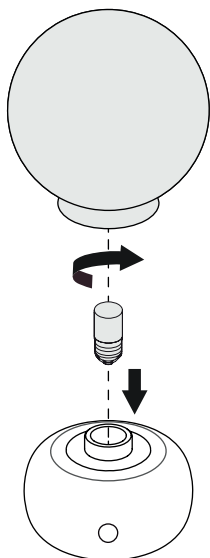
5 W E27 LED COB 550 lm
120 - 127 V - 60 Hz 0.020 A
2700 K
Included

Indoor Use

Bandido

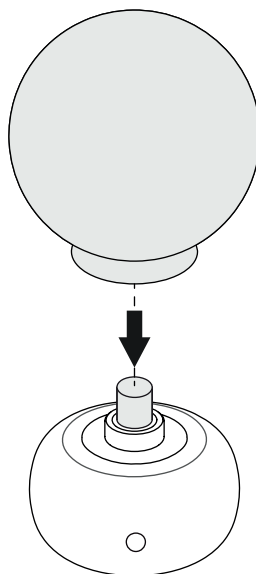
BULB REPLACEMENT

1



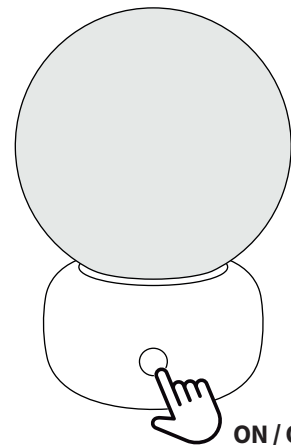
2

Press lightly until you reach the marble.



3

After placing the diffuser, connect it to the power supply.



Handle with care, fragile materials.



Use only LED bulbs.

Bandido creates products that generate harmony and warmth in each space where they are present. We hope you enjoy your new product and exceeds all your expectations.

You can get more information about the maintenance of your product and warranty by scanning the following QR Code.

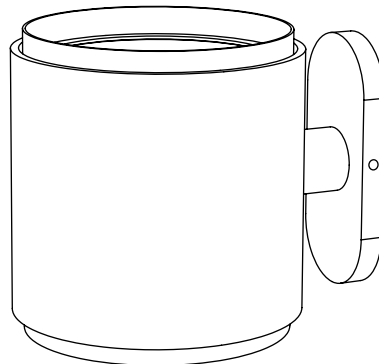


B

TEMPLO

Sconce Lamp

Instructions



CDMX

Aristóteles 127
Polanco IV Sección Miguel Hidalgo
11550 CDMX, México

+52 555 087 2443

PUEBLA

Callejón del Cristo 2 Int. 6 A
Col. San José del Puente
72150 Puebla, Pue, México

+52 222 688 8442

Light Source

2.5 W G9 LED COB 250 lm
120 - 127 V - 60 Hz 0.020 A
2700 K
Included

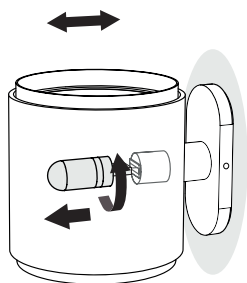
Indoor Use

bandidostudio.com

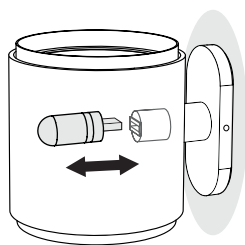
Bandido

BULB REPLACEMENT

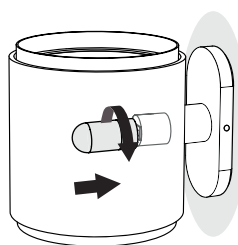
1



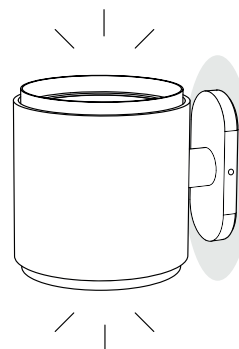
2



3



4



Handle with care, fragile materials.



Use only LED bulbs.

INSTALLATION GUIDE

Sconce Lamp



CAUTION: Turn off the power supply before executing any electrical installation.

We suggest that any electrical work be performed by a qualified specialist.

Included Parts:



Body
1x



Screw
2x



Fastener
2x



Wall Plug
2x



Steel plate
1x



Cable Holder "8"
1x



G9 bulb
1x

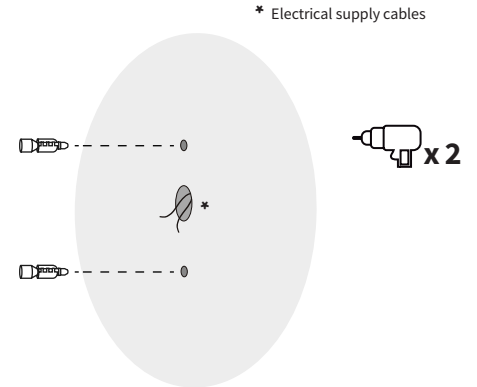


Connector
1x

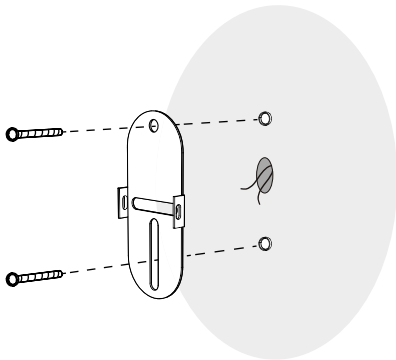


Diffuser
1x

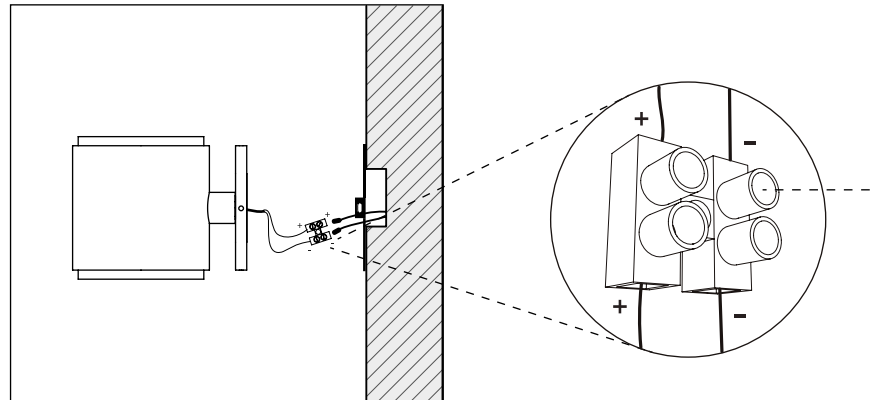
1 Placement of wall plugs. Before drilling, mark the location of the screws according to the **installation template**.



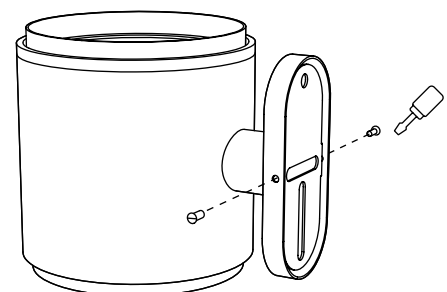
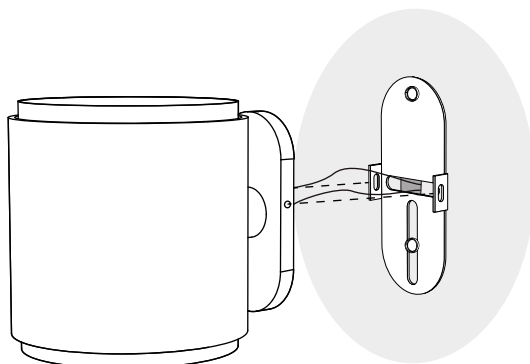
2 Securing the steel plate.



3 Connect + to + and - to - using the connector.



4 Secure the body to the steel plate.



* The fasteners are pre-installed.



Handle with care, fragile materials.

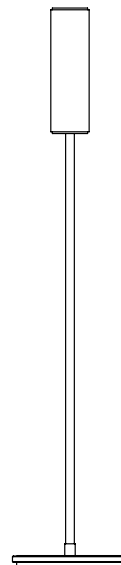
Bandido creates products that generate harmony and warmth in each space where they are present. We hope you enjoy your new product and exceeds all your expectations.

You can get more information about the maintenance of your product and warranty by scanning the following QR Code.



B TEMPLO

Floor Lamp Instructions



CDMX

Aristóteles 127
Polanco IV Sección Miguel Hidalgo
11550 CDMX, México

+52 555 087 2443

PUEBLA

Callejón del Cristo 2 Int. 6 A
Col. San José del Puente
72150 Puebla, Pue, México

+52 222 688 8442

bandidostudio.com

Light Source

2 x 5 W E27 LED COB 550 lm

120 - 127 V - 60 Hz 0.020 A

2700 K

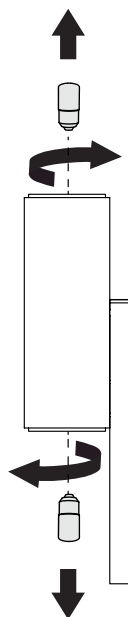
Included

Indoor Use

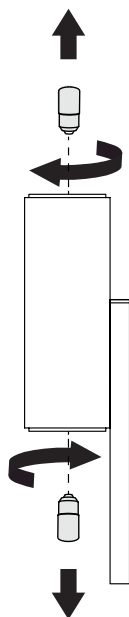
Bandido

BULB REPLACEMENT

1

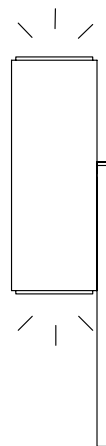


2



3

After installing the bulbs, connect it to the power supply.



Handle with care, fragile materials.



Use only LED bulbs.

INSTALLATION GUIDE

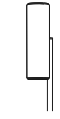
Floor Lamp



CAUTION: Turn off the power supply before executing any electrical installation.

We suggest that any electrical work be performed by a qualified specialist.

Included Parts:



Lamp
1x



Allen screw
1x



Base
1x

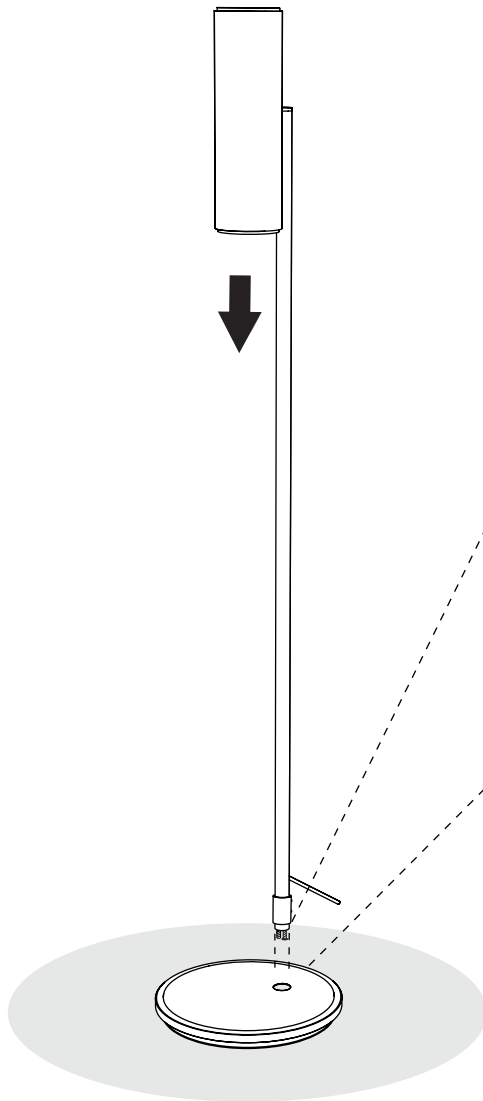


Allen Key
1x



E27 bulb
2x

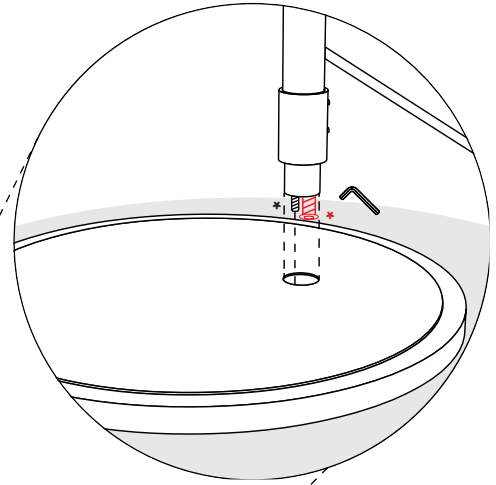
1



2

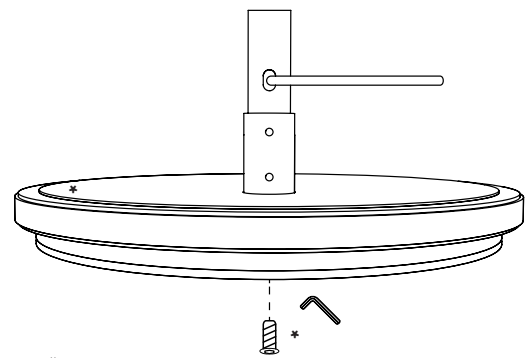
Place the lamp on the base.

- * Reference screw for positioning the lamp tube.
- * Remove the Allen screw to attach the tube to the base.



3

Lamp fixture.



- * Screw in completely.
- * Remove the protective film.



Handle with care, fragile materials.

Bandido creates products that generate harmony and warmth in each space where they are present. We hope you enjoy your new product and exceeds all your expectations.

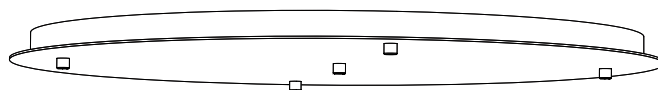
You can get more information about the maintenance of your product and warranty by scanning the following QR Code.



B CANOPY

Accessories

Instructions



CDMX

Aristóteles 127
Polanco IV Sección Miguel Hidalgo
11550 CDMX, México

+52 555 087 2443

PUEBLA

Callejón del Cristo 2 Int. 6 A
Col. San José del Puente
72150 Puebla, Pue, México

+52 222 688 8442

Indoor Use

bandidostudio.com

Bandido



Handle with care, fragile materials.



Structural reinforcement is recommended for drywall ceilings or other similar finishes.

INSTALLATION GUIDE

Circular Canopy

We suggest that any electrical work be performed by a qualified specialist.



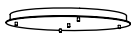
CAUTION: Turn off the power supply before executing any electrical installation.



This instruction manual applies to the following circular canopy sizes: 47.5 CM, 64 CM, 85 CM y 120 CM.

Included Parts:

- The amount of materials required depends on the dimensions of the canopy to be installed.
- The wall plugs are designed specifically for concrete slabs.



Canopy
1x



Wall plugs
(According to Canopy)



Cross bar
1x



Screw
(According to Canopy)



Connector
1x



Fastener
(According to Canopy)



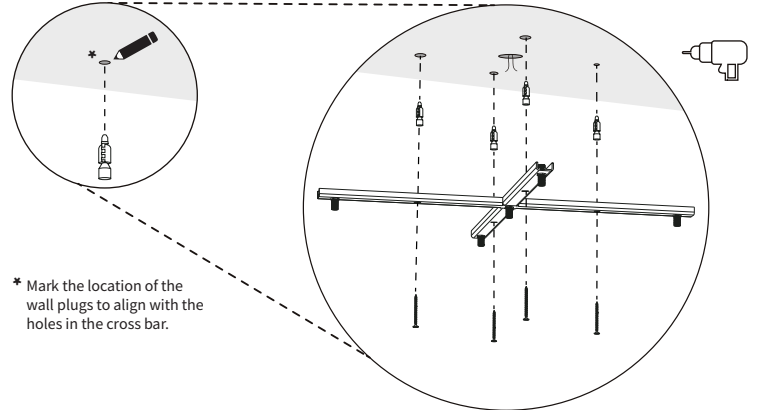
Cable holder "8"
(Based on the number of lights)



Safety knot
(Based on the number of lights. Applies only to DUO)

1 Install wall plugs to secure the cross bar and complete the electrical installation.

(Reference canopy size: 64 CM)



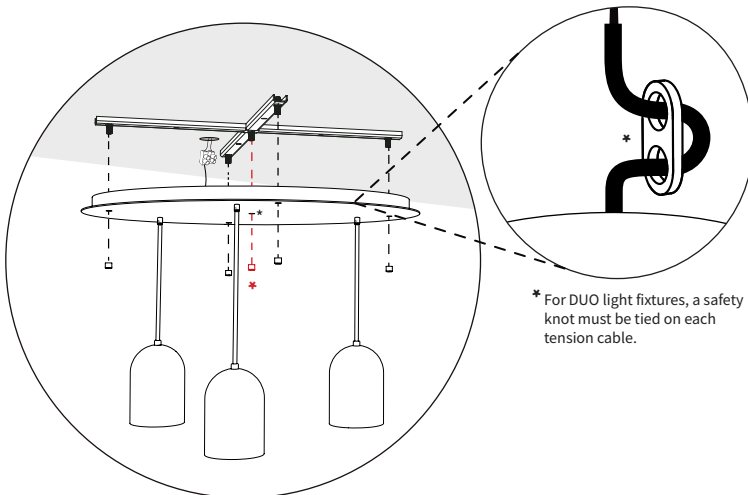
* Mark the location of the wall plugs to align with the holes in the cross bar.

It is recommended that the installation be done by two people.



2 Fix the canopy to the cross bar.

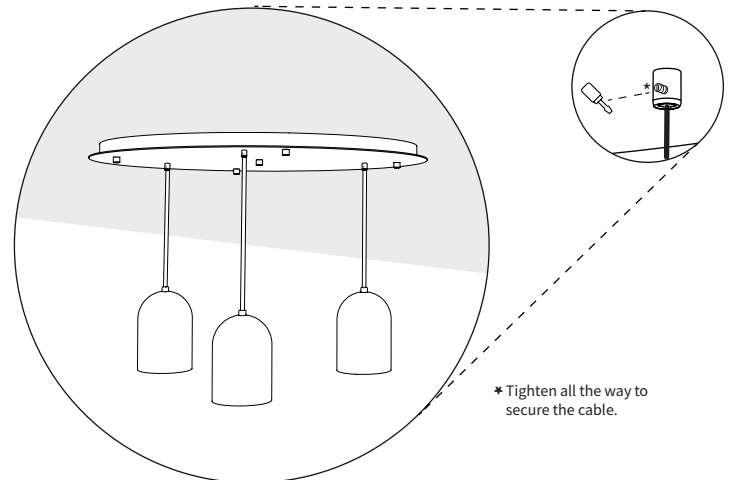
* Secure the canopy by screwing in the center fastener.



* For DUO light fixtures, a safety knot must be tied on each tension cable.

* Level and adjust the canopy by adjusting the fasteners.

3 Adjust the cable clamp.



* Tighten all the way to secure the cable.



Handle with care, fragile materials.



Structural reinforcement is recommended for drywall ceilings or other similar finishes.

Bandido creates products that generate harmony and warmth in each space where they are present. We hope you enjoy your new product and exceeds all your expectations.

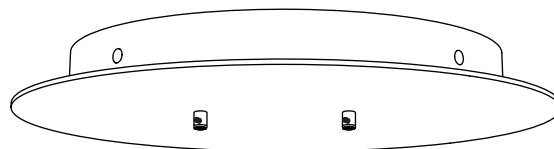
You can get more information about the maintenance of your product and warranty by scanning the following QR Code.



B 25 CM CANOPY

Accessories

Instructions



CDMX

Aristóteles 127
Polanco IV Sección Miguel Hidalgo
11550 CDMX, México

+52 555 087 2443

PUEBLA

Callejón del Cristo 2 Int. 6 A
Col. San José del Puente
72150 Puebla, Pue, México

+52 222 688 8442

Indoor Use

bandidostudio.com

Bandido



Handle with care, fragile materials.



Structural reinforcement is recommended for drywall ceilings or other similar finishes.

INSTALLATION GUIDE

Canopy

We suggest that any electrical work be performed by a qualified specialist.



CAUTION: Turn off the power supply before executing any electrical installation.



This instruction manual applies to the 25 CM diameter canopy.

Included Parts:



Canopy
1x



Fastener
4x



Cross bar
1x



Connector
1x



Wall Plug
4x



Cable holder "8"
(Based on the number of lights)

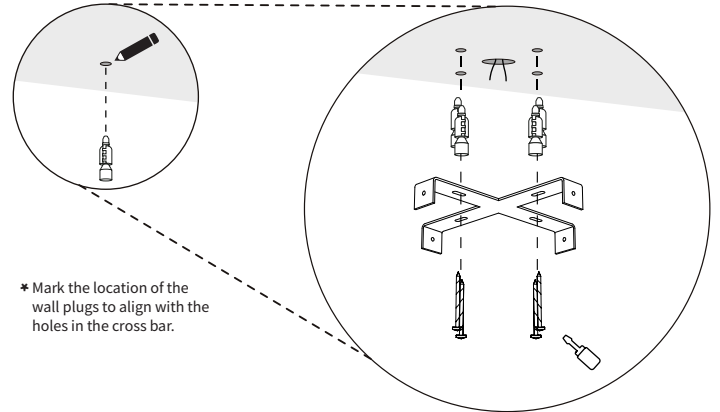


Screw
4x



Safety knot
(Based on the number of lights. Applies only to DUO)

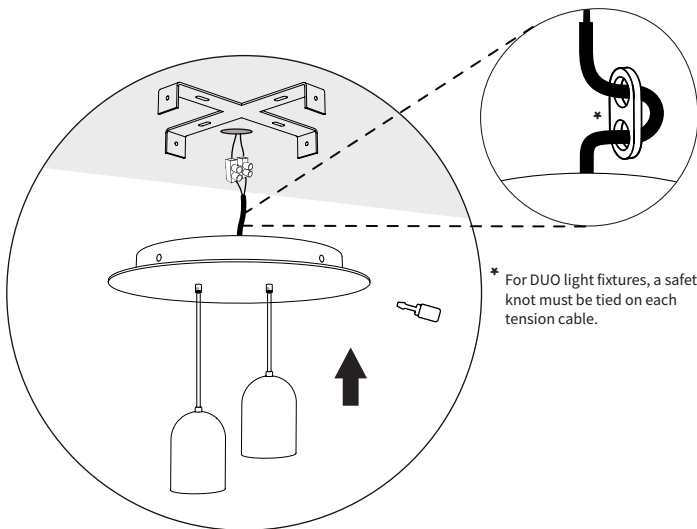
1 Install wall plugs to secure the cross bar and complete the electrical installation.



* Mark the location of the wall plugs to align with the holes in the cross bar.

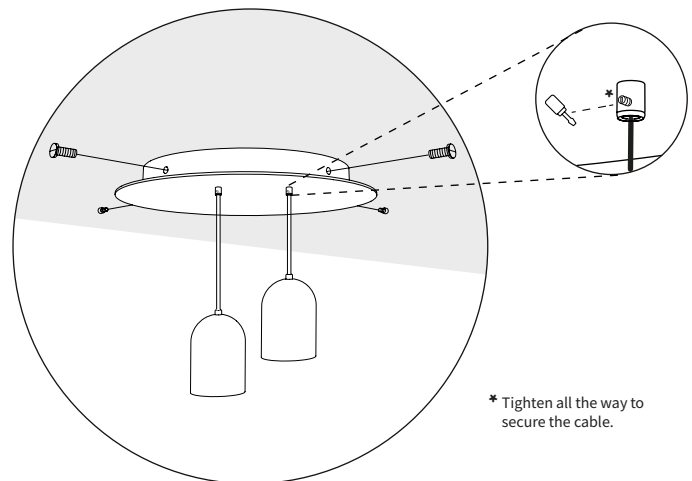
2 Pass the lamp cable through the canopy and the cable holder "8".

Connect + to + and - to - using the connector.



* For DUO light fixtures, a safety knot must be tied on each tension cable.

3 Fix the canopy to the cross bar and adjust the cable clamp.



* Tighten all the way to secure the cable.



Handle with care, fragile materials.



Structural reinforcement is recommended for drywall ceilings or other similar finishes.

Bandido creates products that generate harmony and warmth in each space where they are present. We hope you enjoy your new product and exceeds all your expectations.

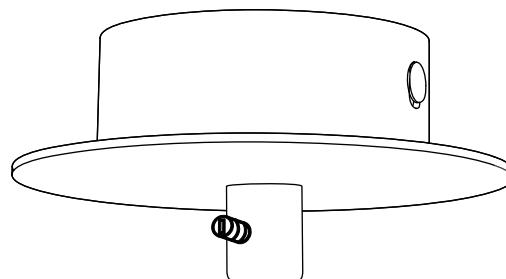
You can get more information about the maintenance of your product and warranty by scanning the following QR Code.



B 7.5 CM CANOPY

Accessories

Instructions



CDMX

Aristóteles 127
Polanco IV Sección Miguel Hidalgo
11550 CDMX, México

+52 555 087 2443

PUEBLA

Callejón del Cristo 2 Int. 6 A
Col. San José del Puente
72150 Puebla, Pue, México

+52 222 688 8442

Indoor Use

bandidostudio.com

Bandido



Handle with care, fragile materials.



Structural reinforcement is recommended for drywall ceilings or other similar finishes.

INSTALLATION GUIDE

7.5 CM Canopy

We suggest that any electrical work be performed by a qualified specialist.



CAUTION: Turn off the power supply before executing any electrical installation.



This instruction manual applies to the circular canopy with a 7.5 CM diameter.

Included Parts:



Canopy
1x



Wall Plug
2x



Fixation bar
1x



Screw
2x



Connector
1x

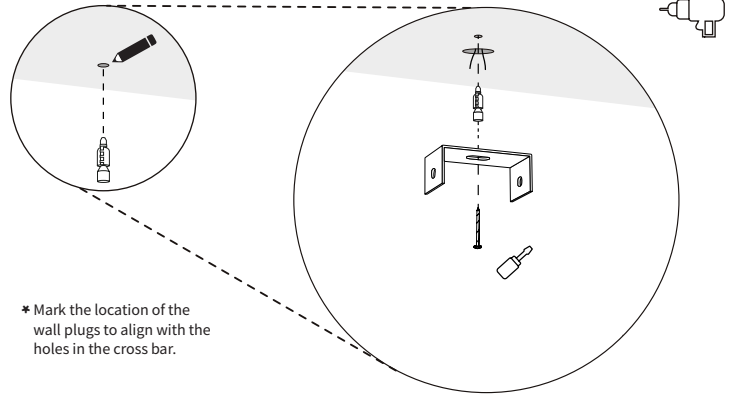


Fastener
2x



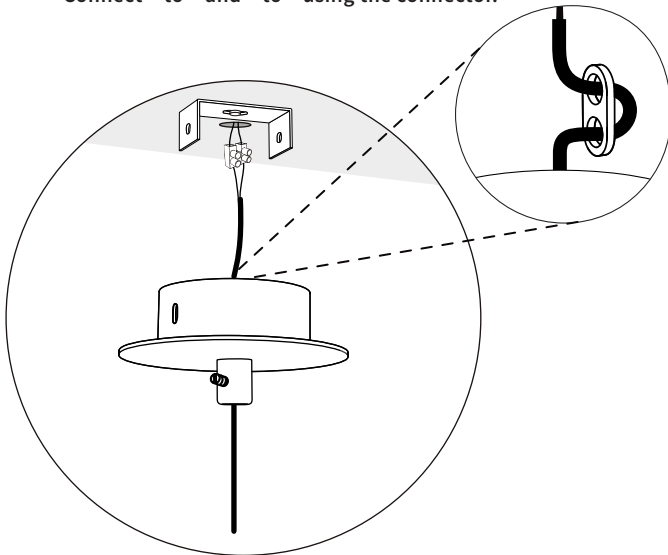
Cable Holder "8"
1x

1 Install the wall plugs.

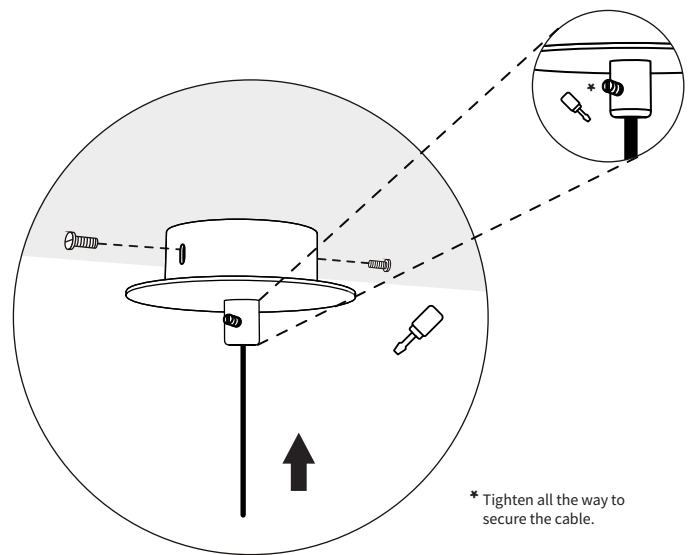


2 Pass the lamp cable through the canopy and the cable holder "8".

Connect + to + and - to - using the connector.



3 Fix the canopy to the fixation bar and adjust the cable clamp.



Handle with care, fragile materials.



Structural reinforcement is recommended for drywall ceilings or other similar finishes.

Bandido creates products that generate harmony and warmth in each space where they are present. We hope you enjoy your new product and exceeds all your expectations.

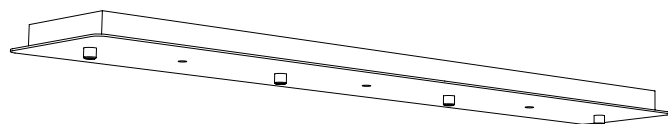
You can get more information about the maintenance of your product and warranty by scanning the following QR Code.



B CANOPY

Accessories

Instructions



CDMX

Aristóteles 127
Polanco IV Sección Miguel Hidalgo
11550 CDMX, México

+52 555 087 2443

PUEBLA

Callejón del Cristo 2 Int. 6 A
Col. San José del Puente
72150 Puebla, Pue, México

+52 222 688 8442

Indoor Use

bandidostudio.com

Bandido



Handle with care, fragile materials.



Structural reinforcement is recommended for drywall ceilings or other similar finishes.

INSTALLATION GUIDE

Rectangular Canopy

We suggest that any electrical work be performed by a qualified specialist.



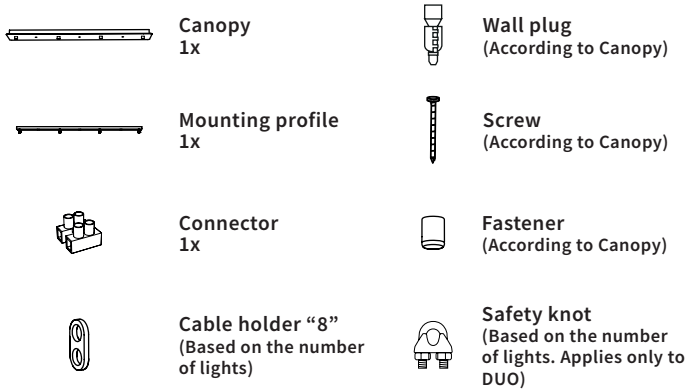
CAUTION: Turn off the power supply before executing any electrical installation.



This instruction manual applies to the following sizes of rectangular canopies: 50 CM, 80 CM, 100 CM, 125 CM y 150 CM.

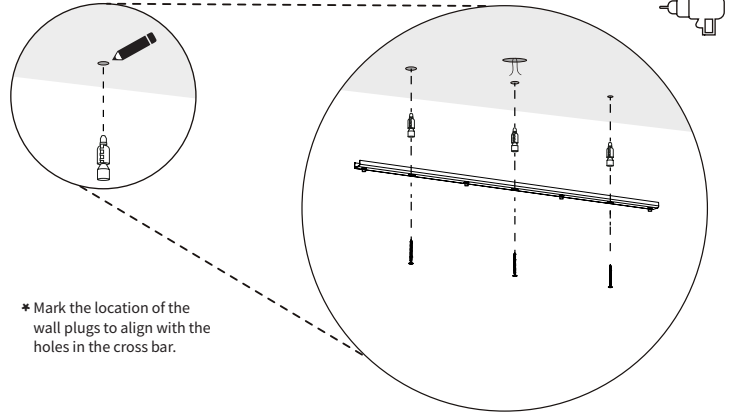
Included Parts:

- The amount of materials required depends on the dimensions of the canopy to be installed.
- The wall plugs are designed specifically for concrete slabs.



1 Install wall plugs to secure the cross bar.

(Reference canopy size: 80 CM)

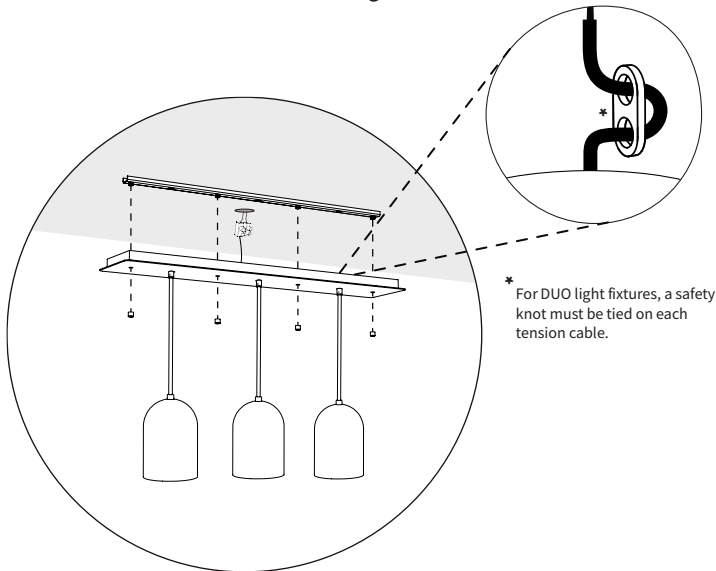


It is recommended that the installation be done by two people.

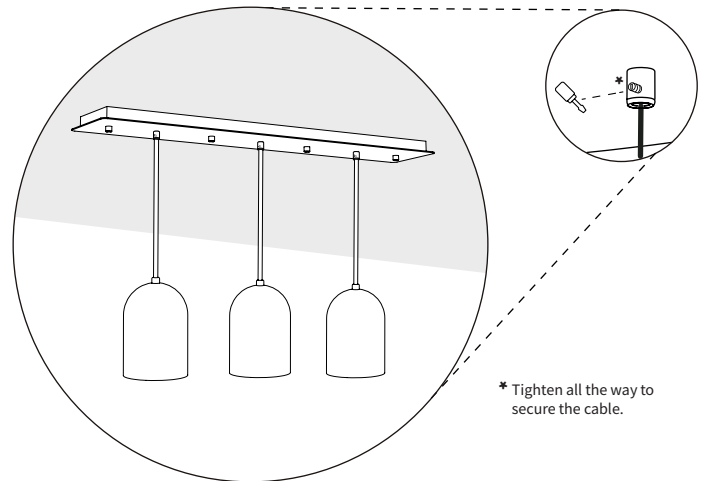


2 Pass the lamp cable through the canopy and the cable holder "8".

Connect + to + and - to - using the connector.



3 Adjust the cable clamp.



Handle with care, fragile materials.



Structural reinforcement is recommended for drywall ceilings or other similar finishes.

Bandido creates products that generate harmony and warmth in each space where they are present. We hope you enjoy your new product and exceeds all your expectations.

You can get more information about the maintenance of your product and warranty by scanning the following QR Code.

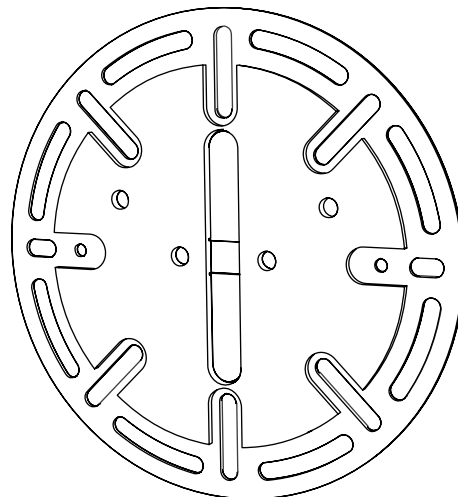


B

PLACA 01

Accessories

Instructions



CDMX

Aristóteles 127
Polanco IV Sección Miguel Hidalgo
11550 CDMX, México

+52 555 087 2443

PUEBLA

Callejón del Cristo 2 Int. 6 A
Col. San José del Puente
72150 Puebla, Pue, México

+52 222 688 8442

Indoor Use

bandidostudio.com

Bandido

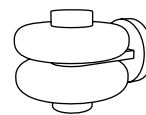
PRIOR TO INSTALLATION

- 1** The 4" junction box (JBOX) must be securely mounted to a structural support.
- 2** PLACA 01 shall be aligned and leveled with the junction box (JBOX) prior to luminaire installation.
- 3** A 4.0 mm recess is required for the installation of PLACA 01.
- 4** The luminaire model and corresponding **Mounting Template** shall be verified prior to installation.

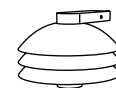
PLACA 01 APPLICABLE TO:



FASE



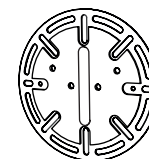
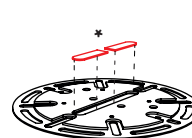
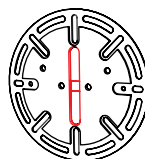
DUO



AXIS

IMPORTANT:

For DUO and FASE, remove the indicated tabs.



* Firmly press the tabs using pliers.



Watch the installation video prior to installation.



Use only a 4" JBOX.

INSTALLATION GUIDE

Accessories

We suggest that any electrical work be performed by a qualified specialist.

Included Parts:



PLACA 01
1x



Screw
6x



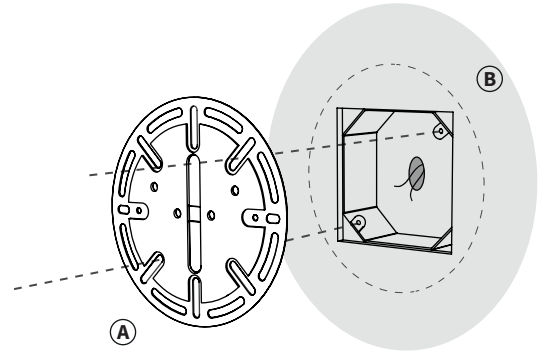
CAUTION: Turn off the power supply before executing any electrical installation.



Structural reinforcement is recommended for walls and ceilings made of drywall or other similar finishes.

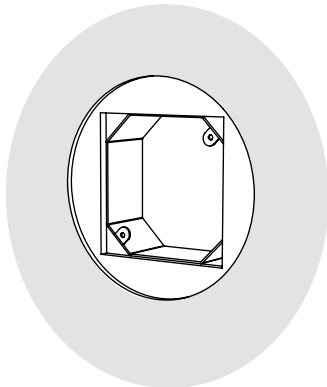
1

Center PLACA 01 on the JBOX (A) and mark its outline on the wall (B).



2

Create a 4.0 mm recess in the marked area. Ensure PLACA 01 sits flush to the wall.

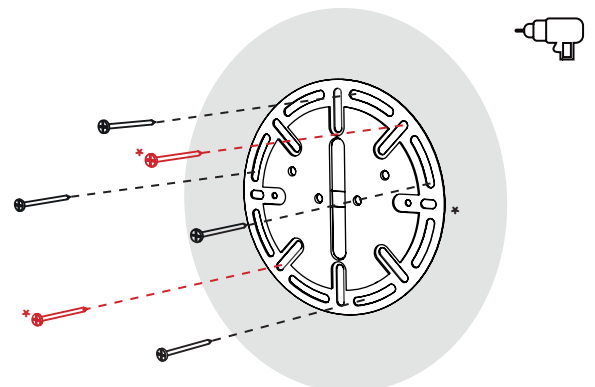


3

Install PLACA 01 and level it both horizontally and vertically.

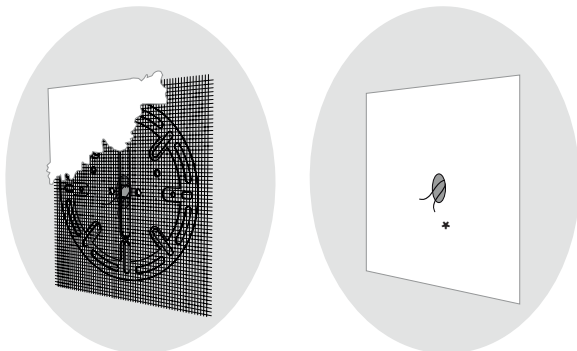
Secure the screws to the JBOX and to the wall's structural reinforcement.

* FIRST SECURE SCREWS TO JBOX.



4

Install self-adhesive mesh covering PLACA 01 and part of the wall. Apply plaster compound.

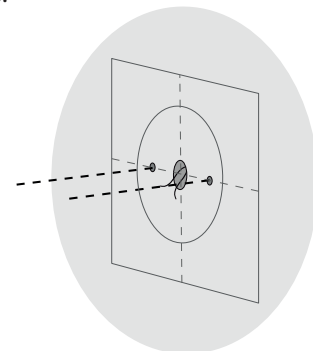


* DO NOT obstruct the electrical supply cables.

5

Identify the required mounting holes for the selected luminaire.

Proceed with installation according to the applicable instructions.



Watch the installation video prior to installation.



Use only a 4" JBOX.

Bandido creates products that generate harmony and warmth in each space where they are present. We hope you enjoy your new product and exceeds all your expectations.

You can get more information about the maintenance of your product and warranty by scanning the following QR Code.

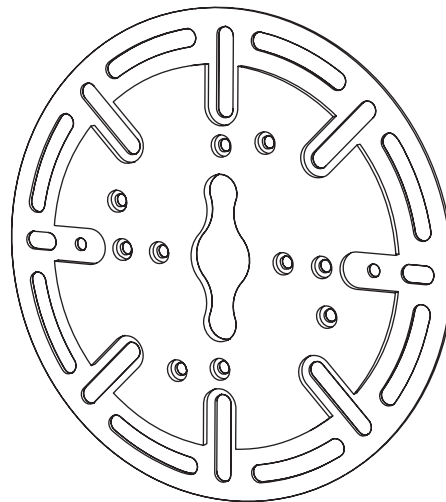


B

PLACA 02

Accessories

Instructions



CDMX

Aristóteles 127
Polanco IV Sección Miguel Hidalgo
11550 CDMX, México

+52 555 087 2443

PUEBLA

Callejón del Cristo 2 Int. 6 A
Col. San José del Puente
72150 Puebla, Pue, México

+52 222 688 8442

Interior Use

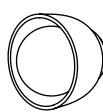
bandidostudio.com

Bandido

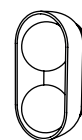
PRIOR TO INSTALLATION

- 1** The 4" junction box (JBOX) must be securely mounted to a structural support.
- 2** PLACA 02 shall be aligned and leveled with the junction box (JBOX) prior to luminaire installation.
- 3** A 4.0 mm recess is required for the installation of PLACA 02.
- 4** The luminaire model and corresponding **Mounting Template** shall be verified prior to installation.

PLACA 02 APPLICABLE TO:



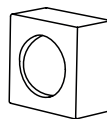
DBH 02 I



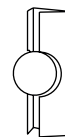
DBH 02 II



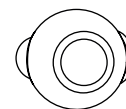
TEMPLO



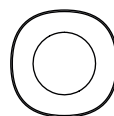
CORE



FLUX



HUMO



NAGA



Watch the installation video prior to installation.



Use only a 4" JBOX.

INSTALLATION GUIDE

Accessories

We suggest that any electrical work be performed by a qualified specialist.

Included Parts:



PLACA 02
1x



Screw
6x



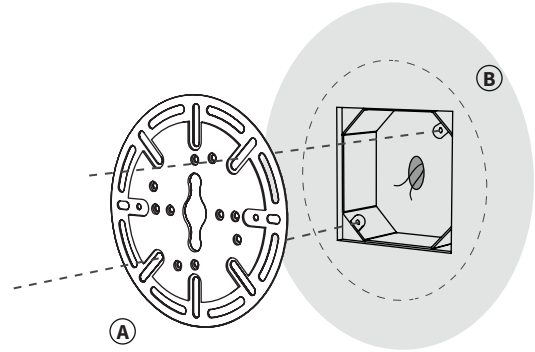
CAUTION: Turn off the power supply before executing any electrical installation.



Structural reinforcement is recommended for walls and ceilings made of drywall or other similar finishes.

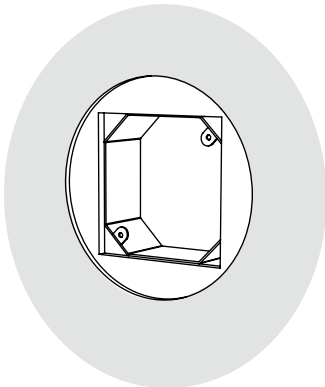
1

Center PLACA 02 on the JBOX (A) and mark its outline on the wall (B).



2

Create a 4.0 mm recess in the marked area. Ensure PLACA 02 sits flush to the wall.

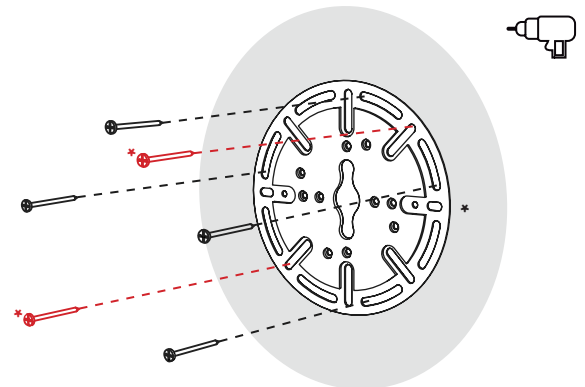


3

Install PLACA 02 and level it both horizontally and vertically.

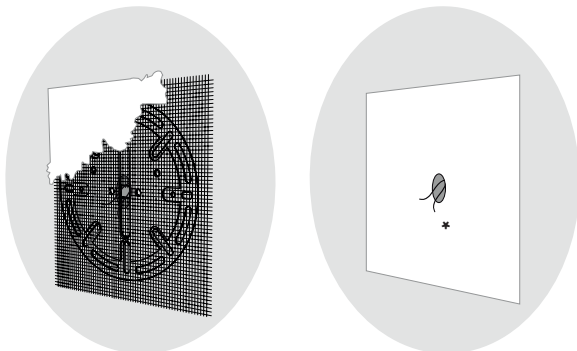
Secure the screws to the JBOX and to the wall's structural reinforcement.

* FIRST SECURE SCREWS TO JBOX.



4

Install self-adhesive mesh covering PLACA 02 and part of the wall. Apply plaster compound.

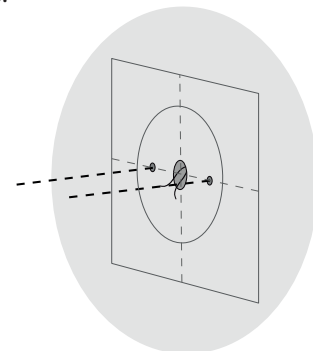


* DO NOT obstruct the electrical supply cables.

5

Identify the required mounting holes for the selected luminaire.

Proceed with installation according to the applicable instructions.



Watch the installation video prior to installation.



Use only a 4" JBOX.

Bandido creates products that generate harmony and warmth in each space where they are present. We hope you enjoy your new product and exceeds all your expectations.

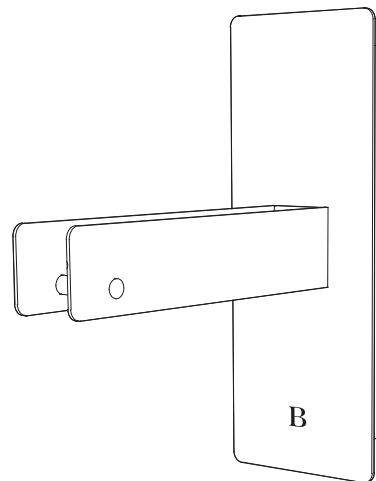
You can get more information about the maintenance of your product and warranty by scanning the following QR Code.



B L BRACKET

Accessories

Instructions



CDMX

Aristóteles 127
Polanco IV Sección Miguel Hidalgo
11550 CDMX, México

+52 555 087 2443

PUEBLA

Callejón del Cristo 2 Int. 6 A
Col. San José del Puente
72150 Puebla, Pue, México

+52 222 688 8442

Indoor Use

bandidostudio.com

Bandido



Handle with care, fragile materials.

INSTALLATION GUIDE

L Bracket

We suggest that any electrical work be performed by a qualified specialist.



CAUTION: Turn off the power supply before executing any electrical installation.



Structural reinforcement is recommended for walls and ceilings made of drywall or other similar finishes.

Included Parts:



L Bracket
1x



Wall plug
2x



Steel plate
1x



Screw
2x



Fasteners
2x

Parts Included with the luminary

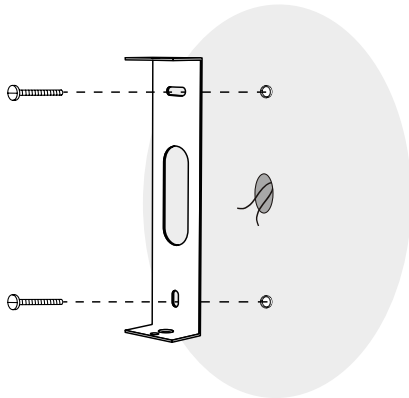


Cable holder "8"
1x

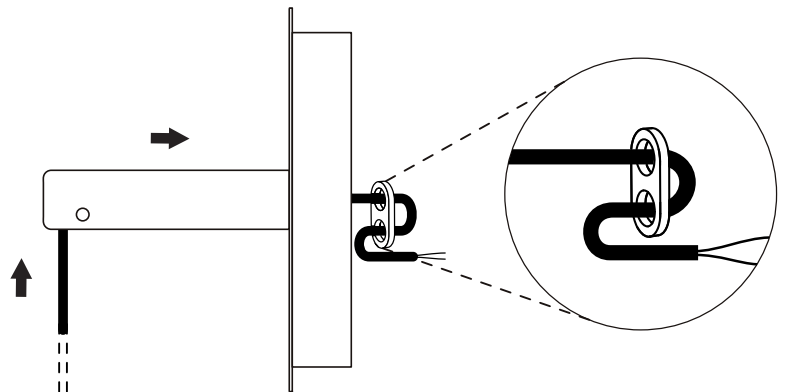


Connector
1x

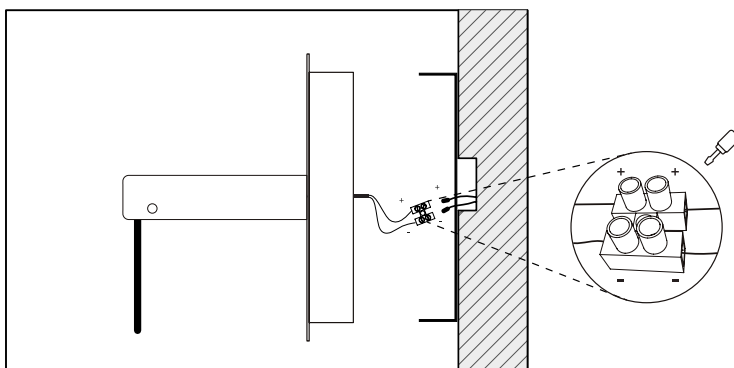
2 Fixing the steel plate.



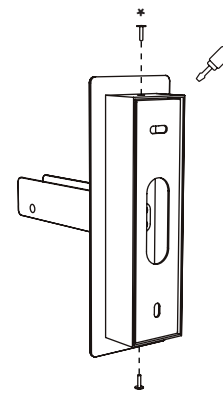
3 Feed the lamp cord through the L Bracket and the cable holder "8".



4 Connect + to + and - to - using the connector.

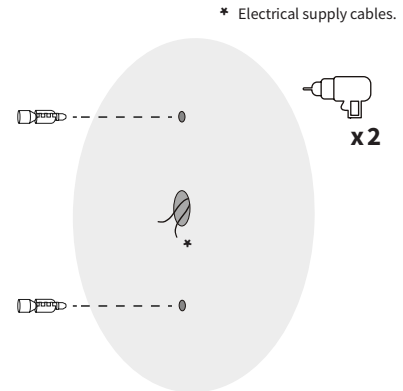


5 Attach the L Bracket to the steel plate.



* The fasteners come pre-installed.

1 Installing wall plugs. Before drilling, mark the locations of the screws according to the Steel plate.



* Electrical supply cables.

x2

It is recommended that the installation be done by two people.



Handle with care, fragile materials.

Bandido

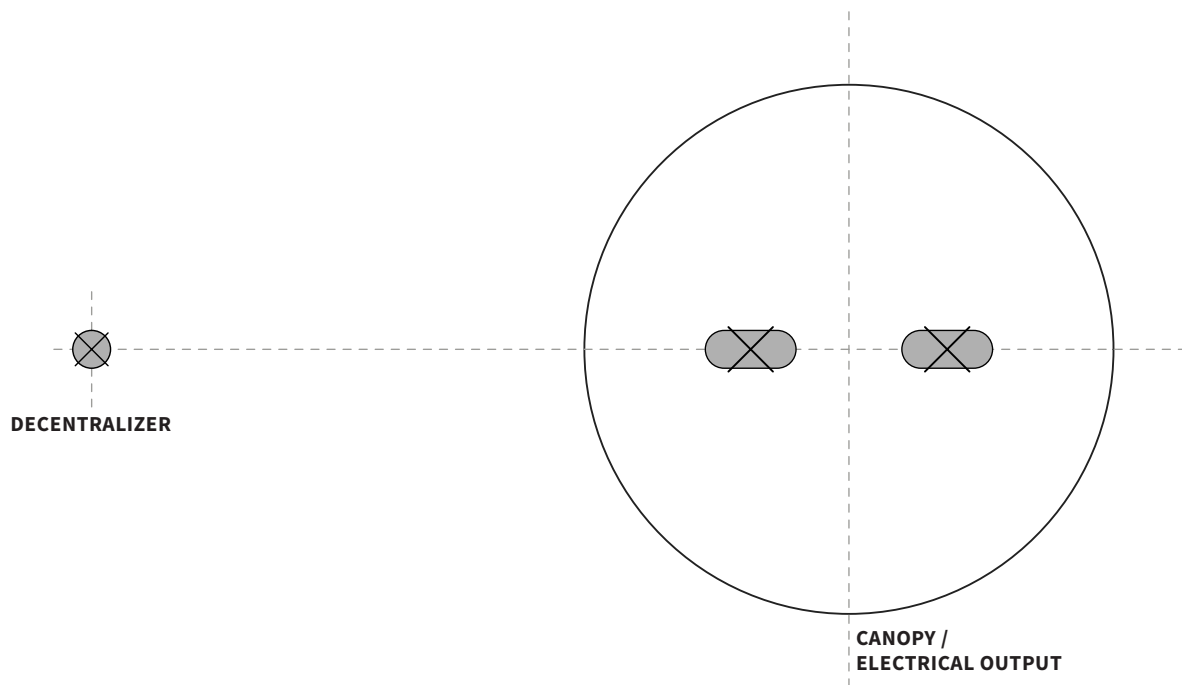
TEMPLATE

PL01

FLUX 70 Pendant Lamp - Vertical Configuration

Installation guide

1. Place this template on the surface where the pendant luminaire will be installed.
2. Align and level the template using the reference line.
3. Mark the drilling holes.
4. Drill.



Scale 1:1



0.3 in

Bandido

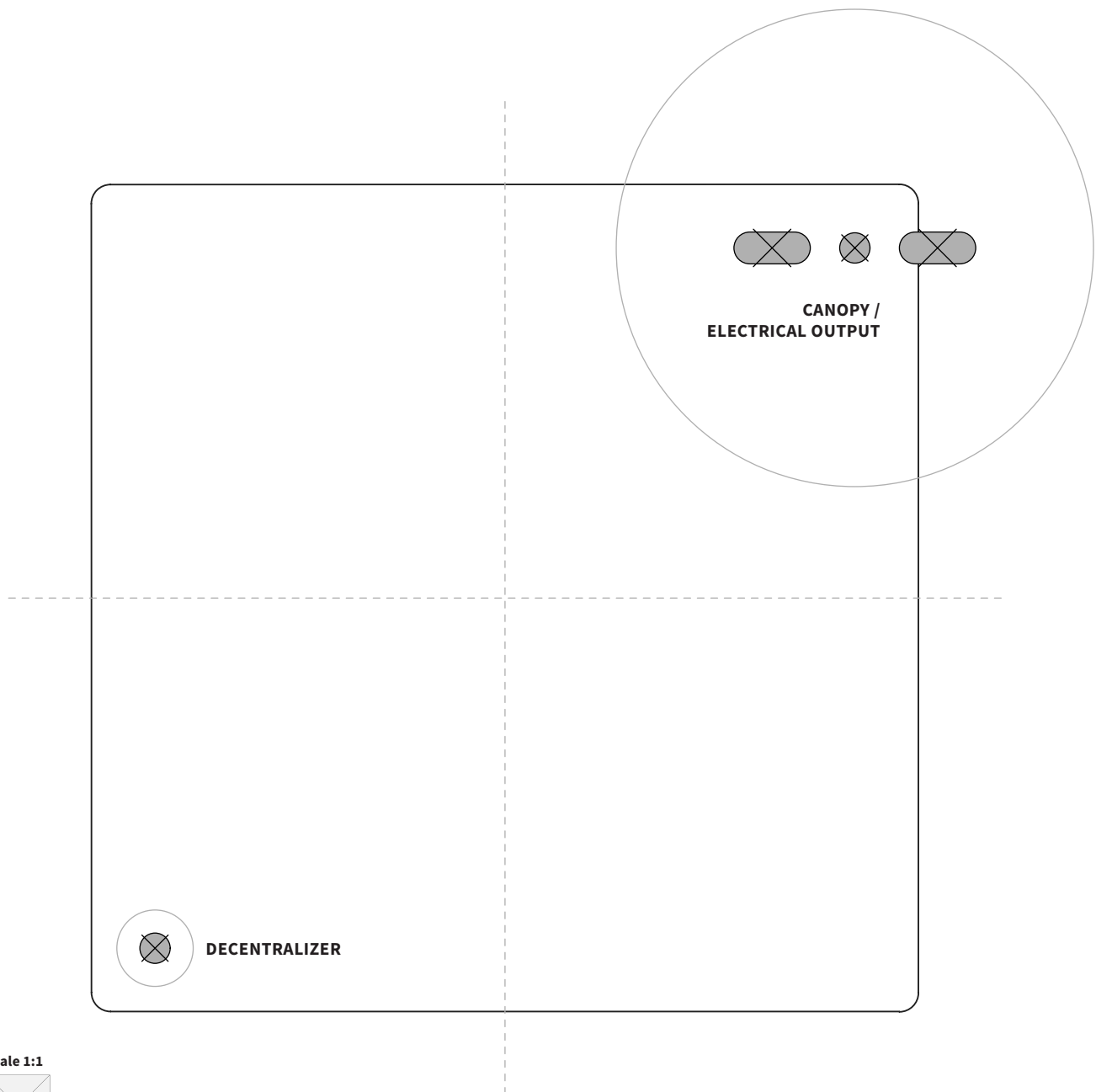
TEMPLATE

PL02

CORE Pendant Lamp

Installation guide

1. Place this template on the surface where the pendant luminaire will be installed.
2. Align and level the template using the reference line.
3. Mark the drilling holes.
4. Drill.



Scale 1:1



0.3 in

Bandido

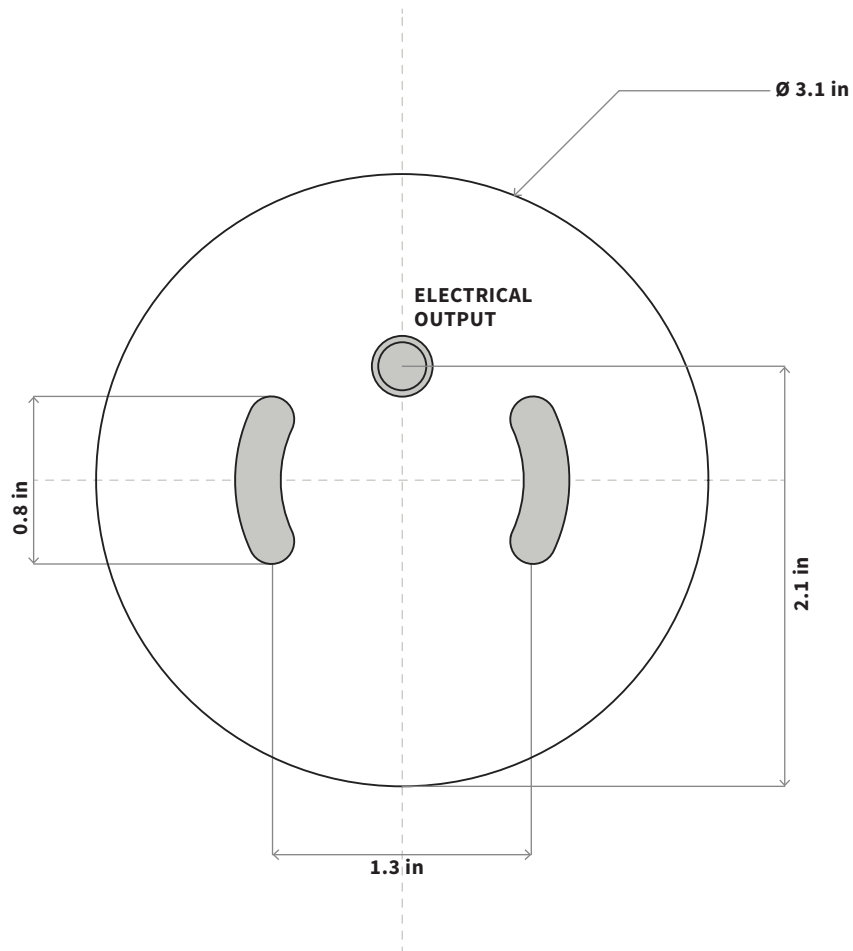
TEMPLATE

PL03

FLUX Sconce Lamp

Installation guide

1. Place this template on the surface where the luminaire will be installed.
2. Align and level the template using the reference line.
3. Mark the drilling holes.
4. Drill.



Scale 1:1



0.3 in

Bandido

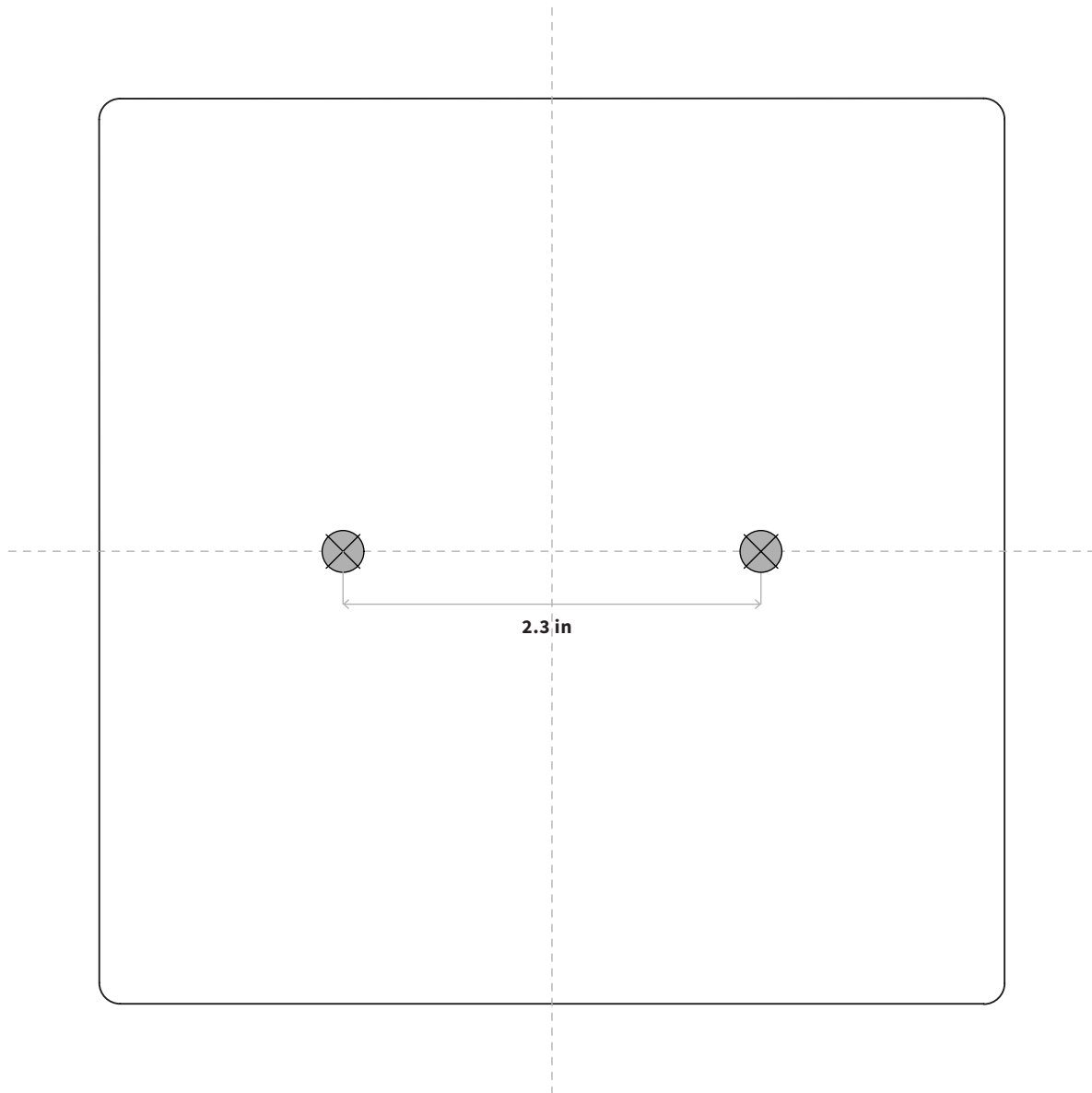
TEMPLATE

PL04

CORE Sconce Lamp

Installation guide

1. Place this template on the surface where the luminaire will be installed.
2. Align and level the template using the reference line.
3. Mark the drilling holes.
4. Drill.



Scale 1:1



0.3 in

Bandido

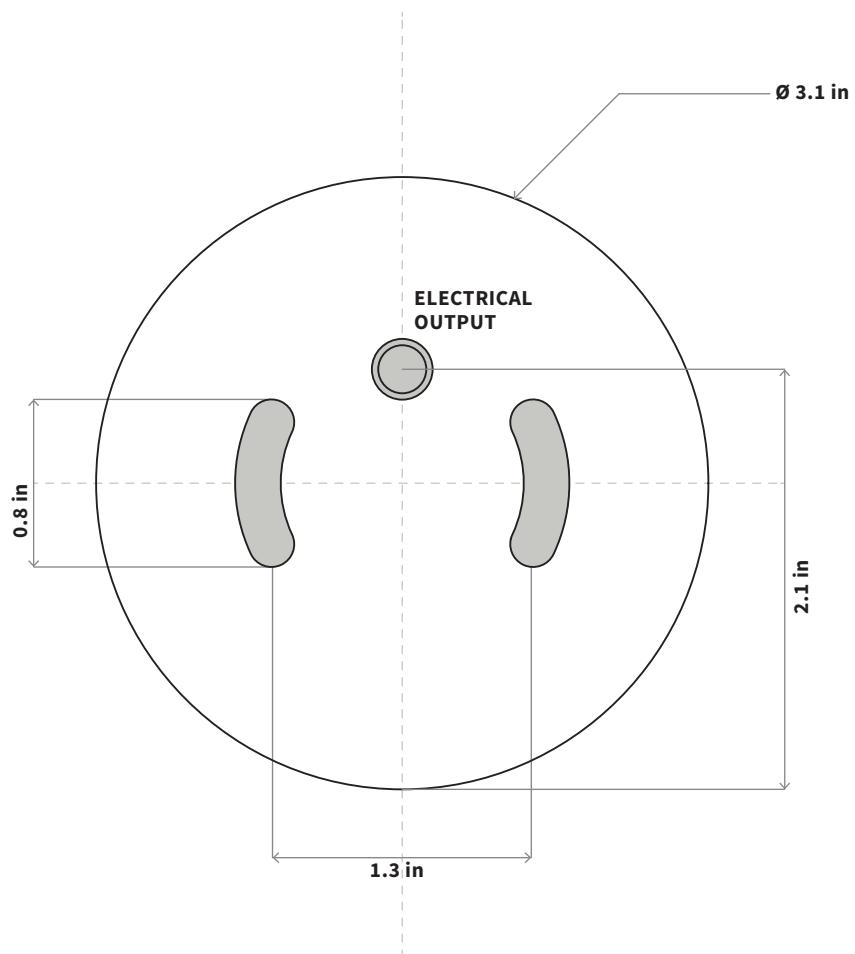
TEMPLATE

PL05

DBH 02 | Sconce Lamp

Installation guide

1. Place this template on the surface where the luminaire will be installed.
2. Align and level the template using the reference line.
3. Mark the drilling holes.
4. Drill.



Scale 1:1



0.3 in

Bandido

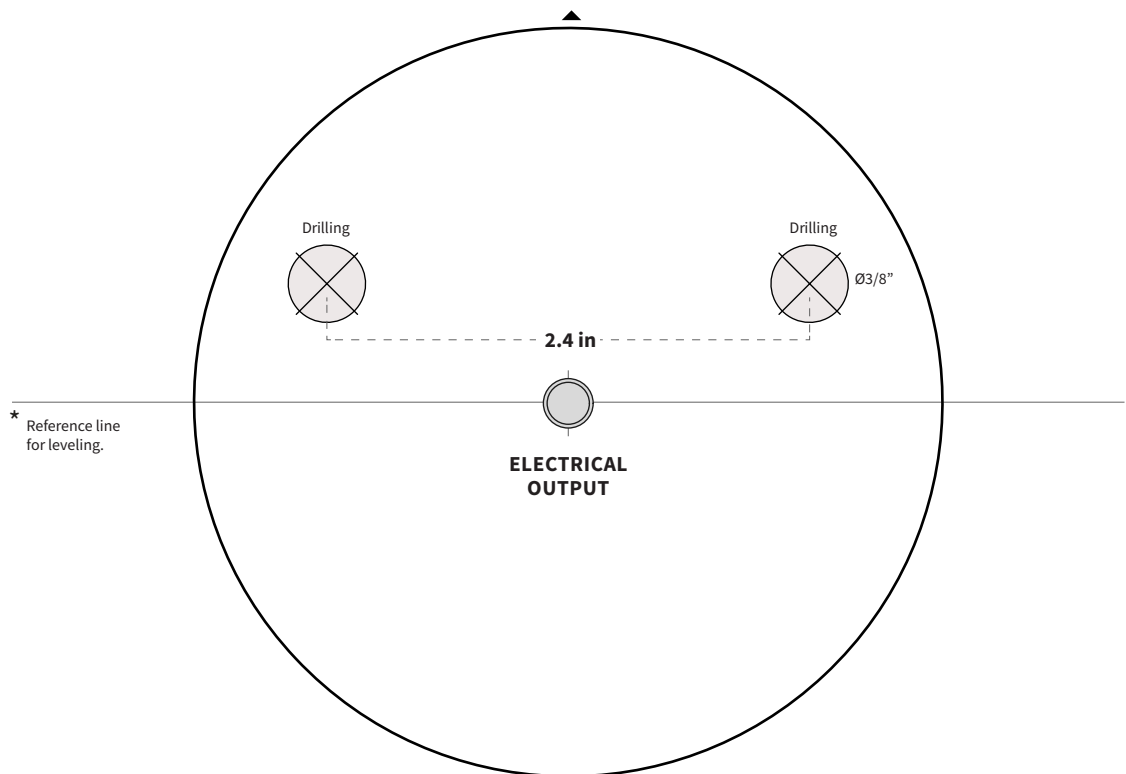
TEMPLATE

PL06

DUO Sconce Lamp

Installation guide

1. Place this template on the surface where the luminaire will be installed.
2. Align and level the template using the reference line.
3. Mark the drilling points using a pilot drill bit.
4. Drill using a 3/8" drill bit.



Scale 1:1



0.3 in

Bandido

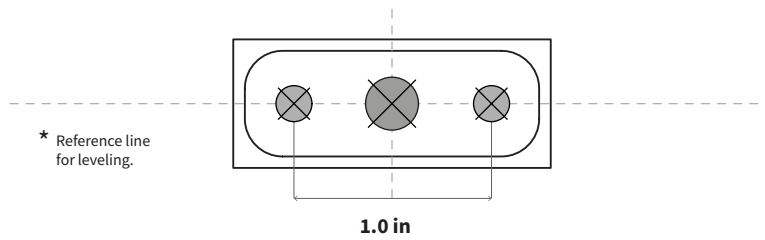
TEMPLATE

PL07

AXIS Sconce Lamp

Installation guide

1. Place this template on the surface where the luminaire will be installed.
2. Align and level the template using the reference line.
3. Mark the drilling holes.
4. Drill.



Scale 1:1



0.3 in

Bandido

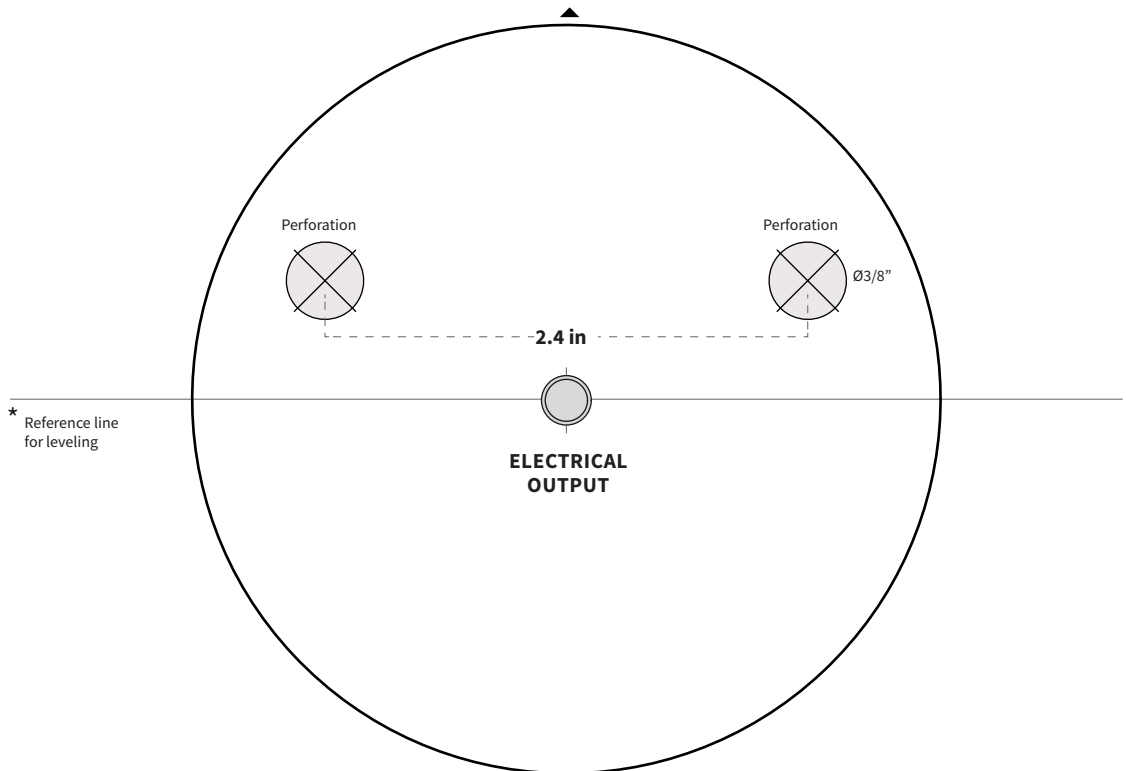
TEMPLATE

PL08

FASE Sconce Lamp

Installation guide

1. Place this template on the surface where the luminaire will be installed.
2. Align and level the template using the reference line.
3. Mark the drilling holes.
4. Drill.



Scale 1:1



0.3 in

Bandido

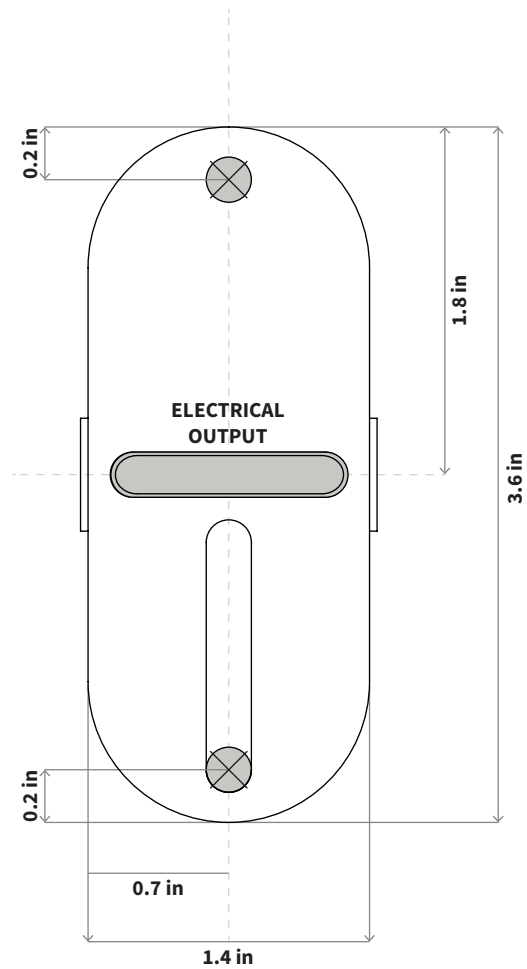
TEMPLATE

PL09

TEMPLO Sconce Lamp

Installation guide

1. Place this template on the surface where the luminaire will be installed.
2. Align and level the template using the reference lines.
3. Mark the drilling holes.
4. Drill.



Scale 1:1



0.3 in

Bandido

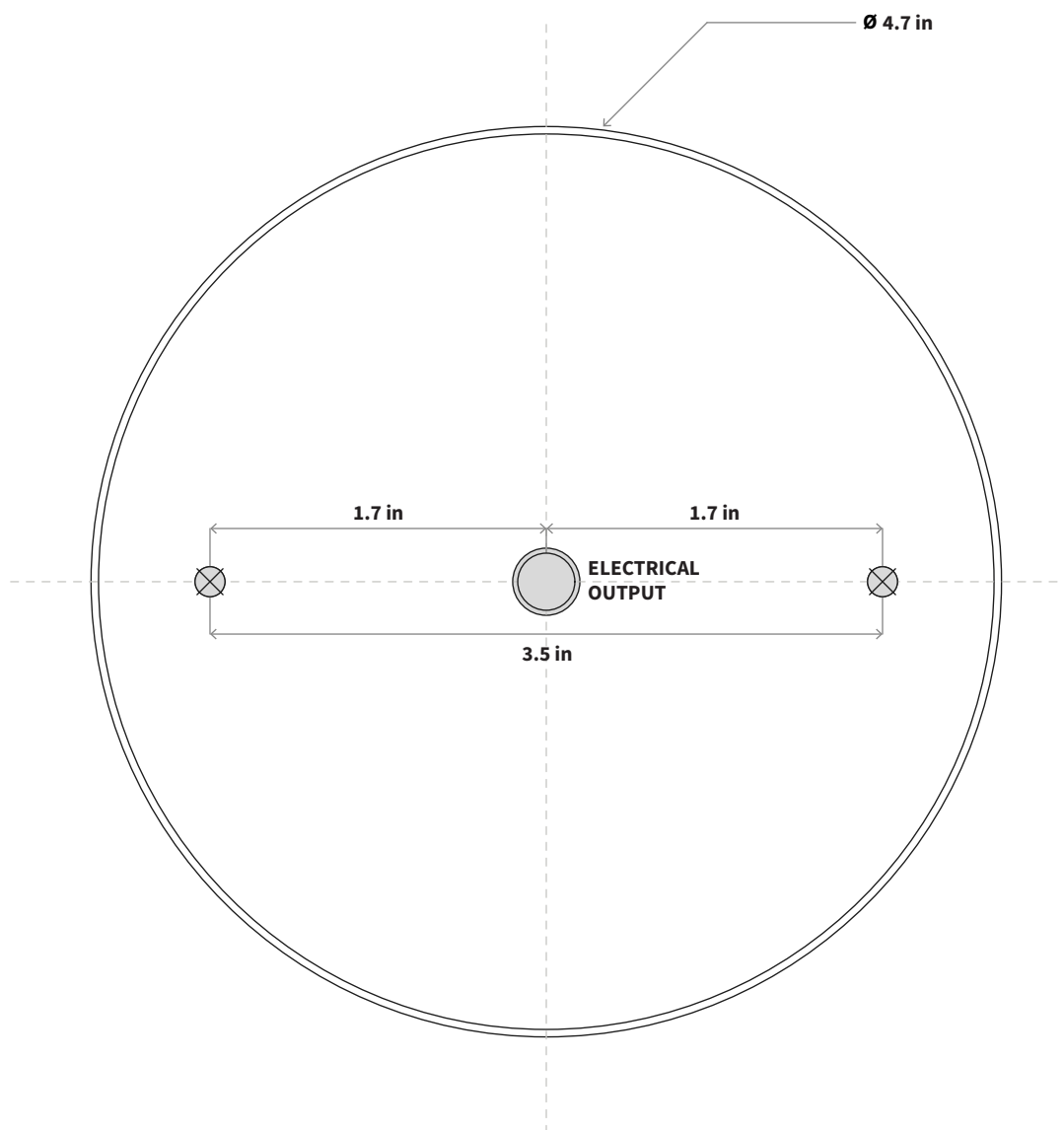
TEMPLATE

PL10

NAGA Sconce Lamp

Installation guide

1. Place this template on the surface where the luminaire will be installed.
2. Align and level the template using the reference line.
3. Mark the drilling holes.
4. Drill.



Scale 1:1



0.3 in

Bandido

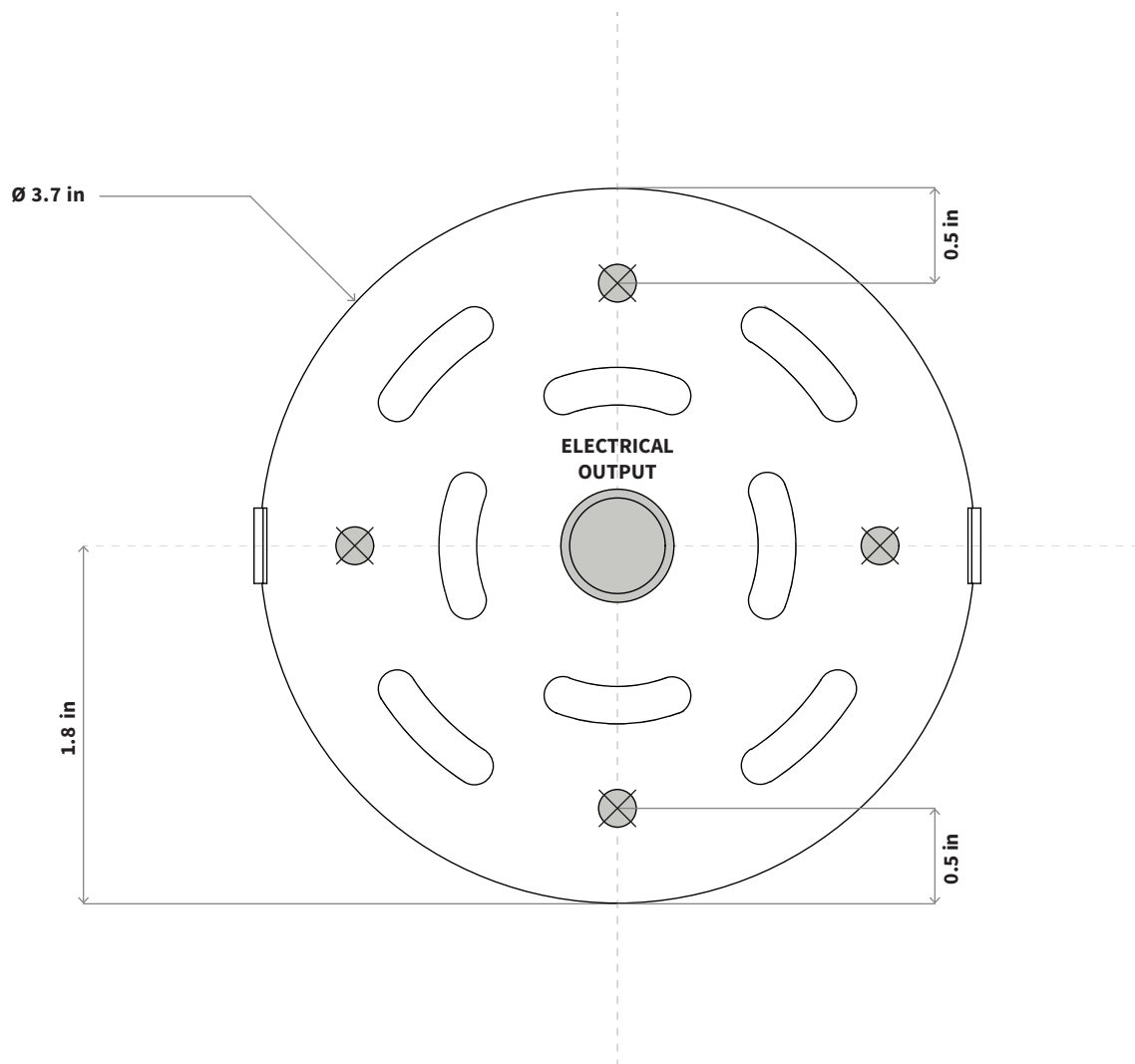
TEMPLATE

PL11

HUMO Sconce Lamp

Installation guide

1. Place this template on the surface where the luminaire will be installed.
2. Align and level the template using the reference line.
3. Mark the drilling holes.
4. Drill.



Scale 1:1



0.3 in

Bandido

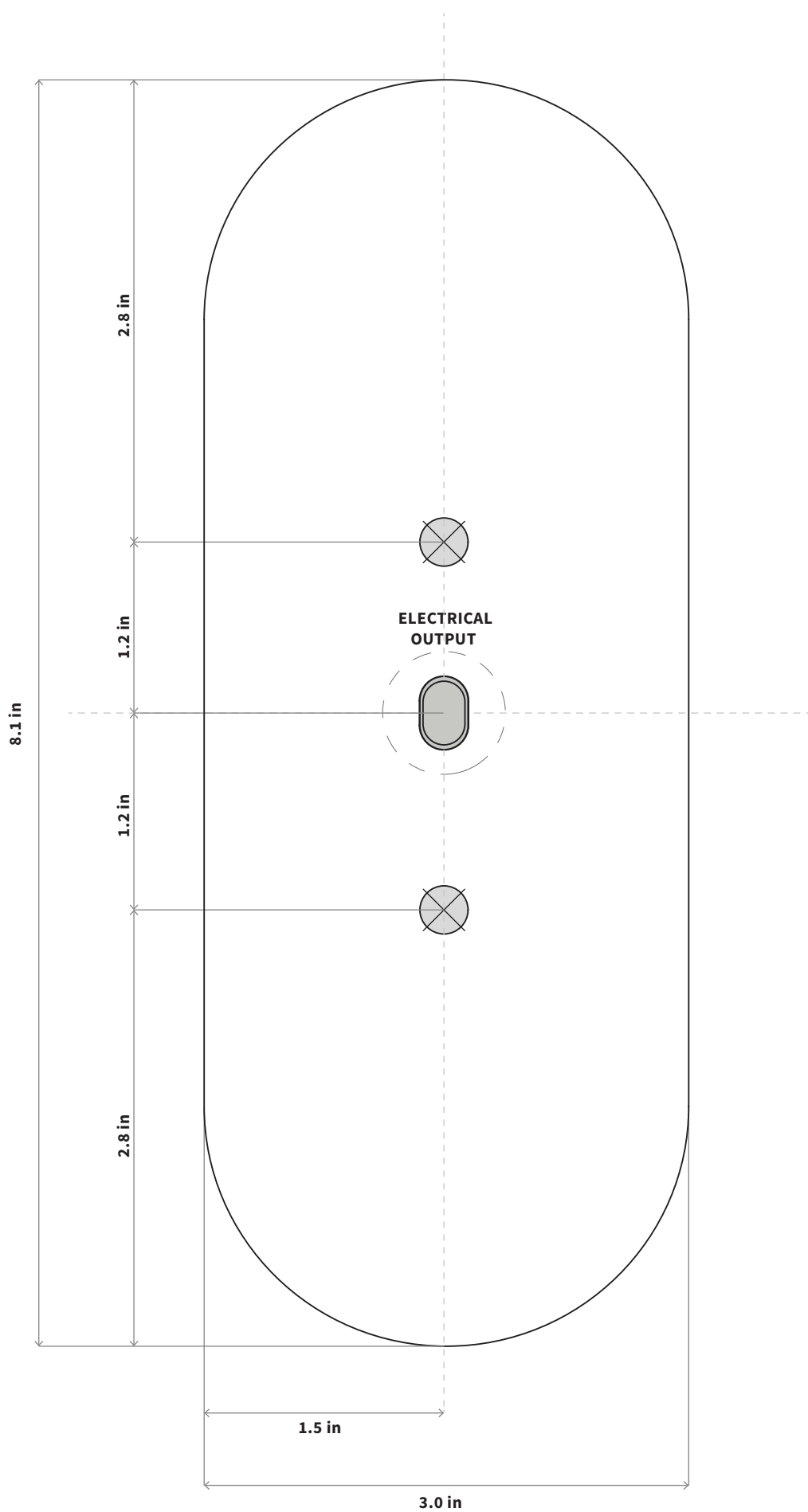
TEMPLATE

PL12

DBH 02 II Sconce Lamp

Installation guide

1. Place this template on the surface where the luminaire will be installed.
2. Align and level the template using the reference line.
3. Mark the drilling holes.
4. Drill.



Scale 1:1



0.3 in

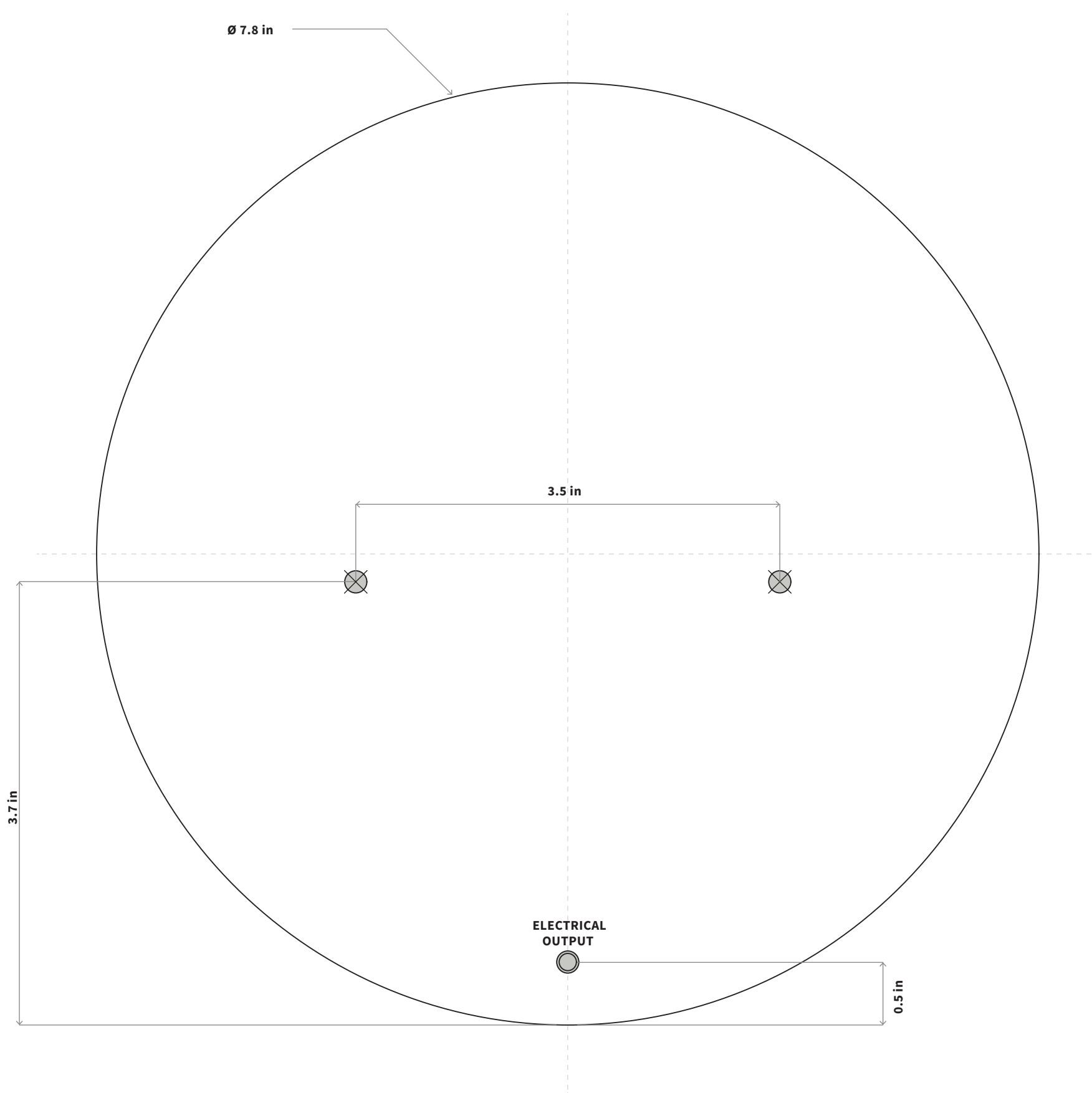
TEMPLATE

PL14

AURA Sconce Lamp

Installation guide

1. Place this template on the surface where the luminaire will be installed.
2. Align and level the template using the reference line.
3. Mark the drilling holes.
4. Drill.



Scale 1:1



0.3 in

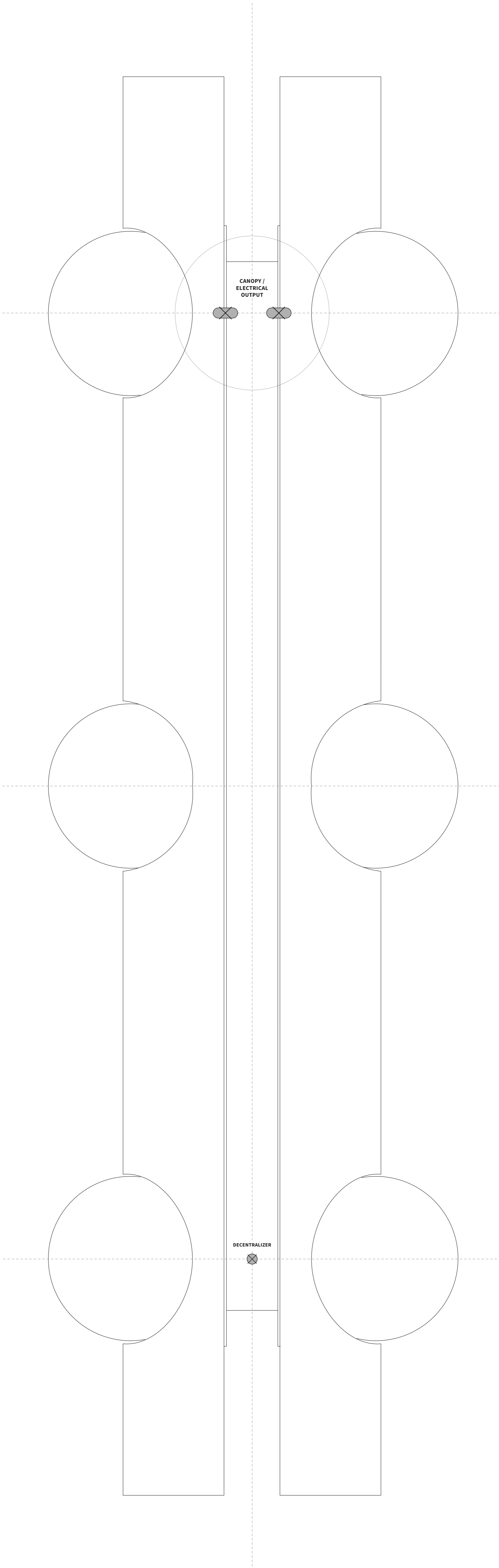
TEMPLATE

FLUX 70 Pendant Lamp - Horizontal Configuration

PL15

Installation guide

1. Place this template on the surface where the pendant luminaire will be installed.
2. Align and level the template using the reference line.
3. Mark the drilling holes.
4. Drill.



Scale 1:1
0.3 in

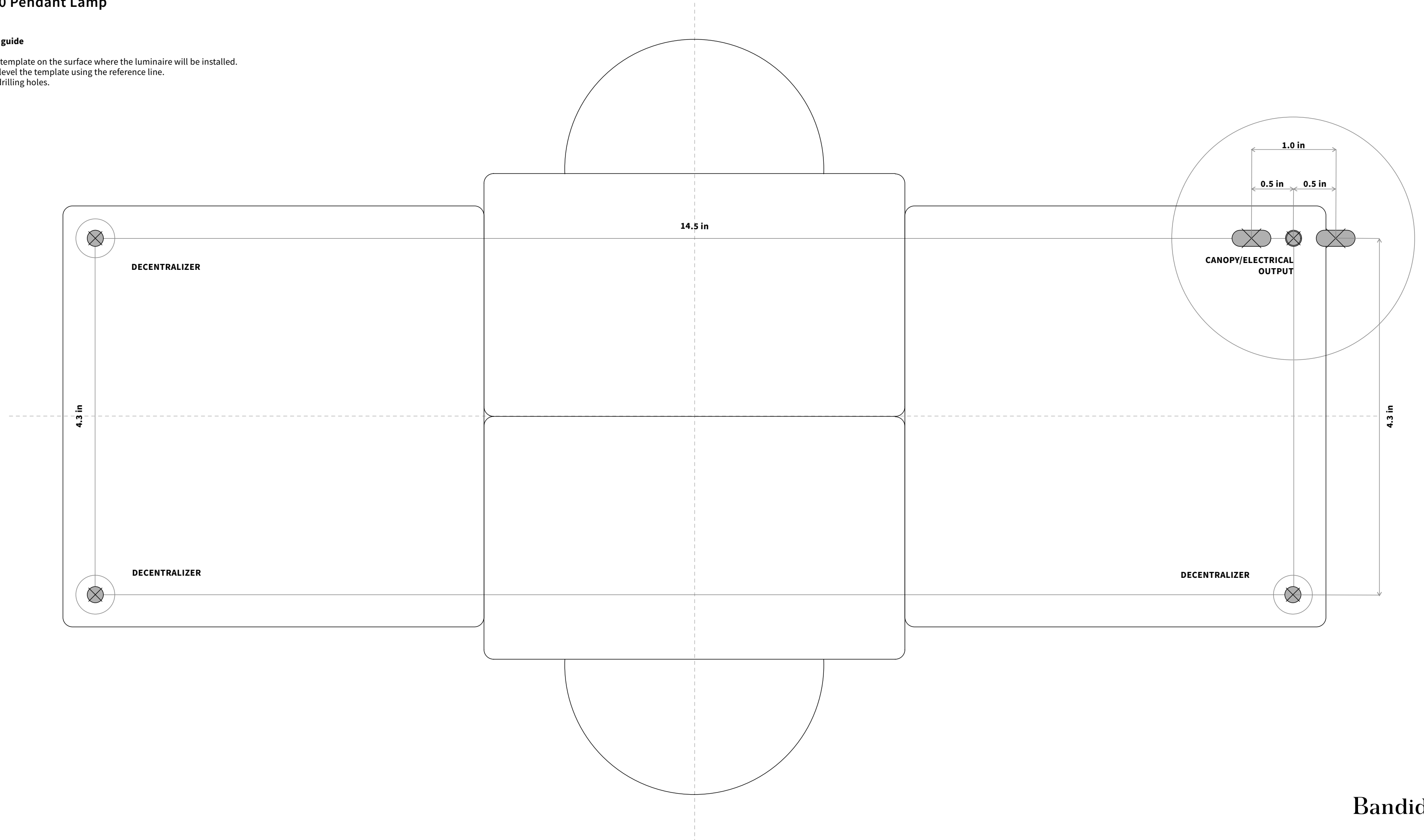
TEMPLATE

CORE 40 Pendant Lamp

PL16

Installation guide

1. Place this template on the surface where the luminaire will be installed.
2. Align and level the template using the reference line.
3. Mark the drilling holes.
4. Drill.



Bandido



PUEBLA

Callejón del Cristo 2 Int. 6 A
Col. San José Del Puente
72150 Puebla, Pue, México

+52 222 688 8442

CDMX

Aristóteles 127
Polanco IV Sección Miguel Hidalgo
11550 CDMX, México

+52 555 087 2443

B