

LUZ

SOMBRA

# Bandido

**Bandido** creates products that generate harmony and warmth in each space where they are present. We hope you enjoy your new product and exceeds all your expectations.

You can get more information about the maintenance of your product and warranty by scanning the following QR Code.



#### Light Source

1 x lamp LED GU10 Bulb 7 W  
100 V ~ 130 60 Hz 7 W LED 0.07 - 0.05 A  
Included  
7 Wh

Indoor Use

#### Distrito Bandido

RFC: DBA200515RT3  
Callejón del Cristo 2 - 6A  
Col. San José del Puente  
C.P. 72150. Puebla, Puebla

+52 (222) 688 8442

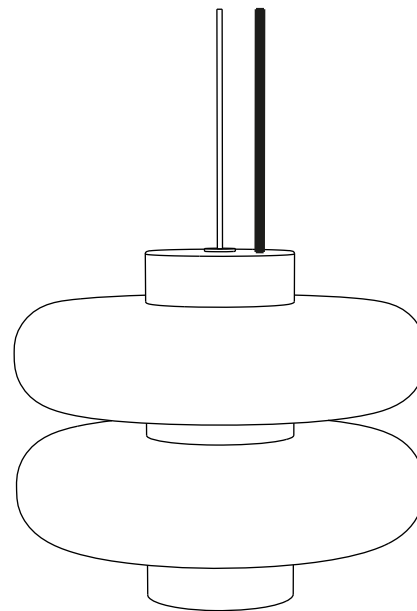
[www.bandidostudio.com](http://www.bandidostudio.com)

# B

# DUO

## Pendant Lamp

Instructions

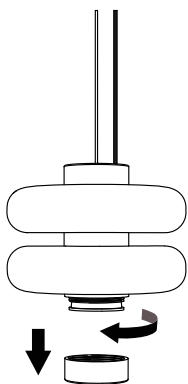


# Bandido

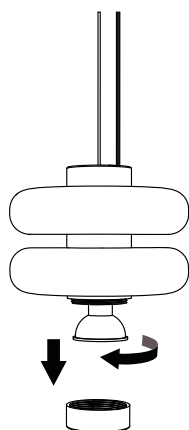
## Bulb Replacement

Tutorial

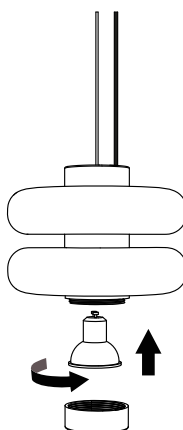
### 1



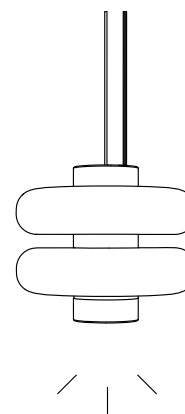
### 2



### 3



### 4



Handle with care, fragile materials.



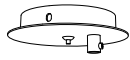
Use only LED bulb

# Installation Guide

Pendant Lamp

We suggest that any electrical work should be performed by a qualified electrician.

## Parts included.



Canopy  
(1 pc.)



GU10 Bulb  
(1 pc.)



Wall Plug  
(2 pcs.)



Light crossbar  
(1 pc.)



Screw  
(2 pcs.)



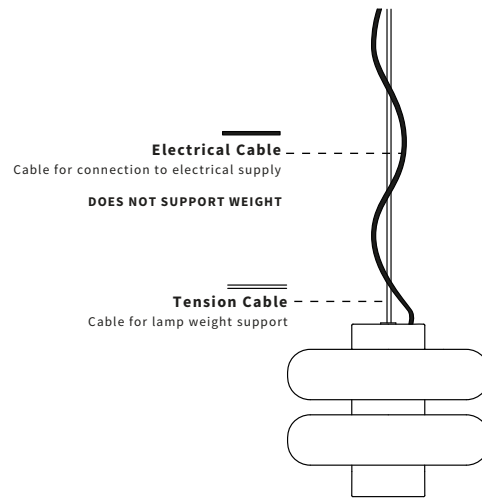
Safety knot  
(1 pc.)



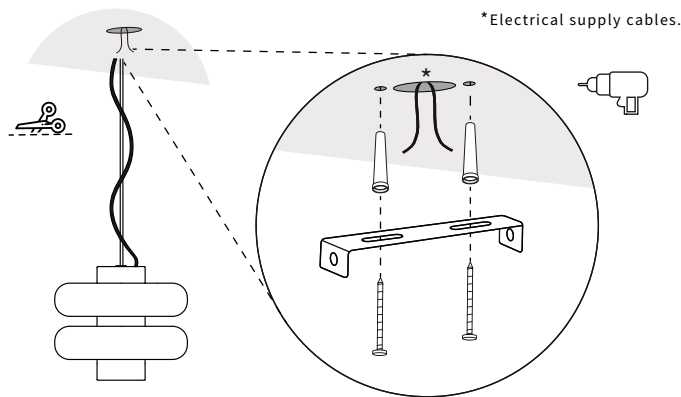
**CAUTION:** Turn off the power supply before executing any electrical installation.



We recommend incorporating structural reinforcement elements in drywall or comparable wall and ceiling finishes.



## 1 Cut cable to desired length. Secure crossbar in place.

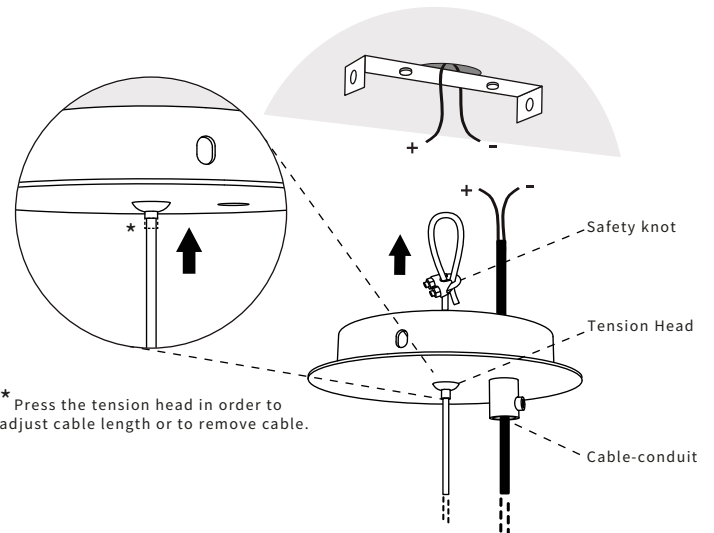


Electrical Cable: 118,1 in  
Tension Cable: 78,7 in

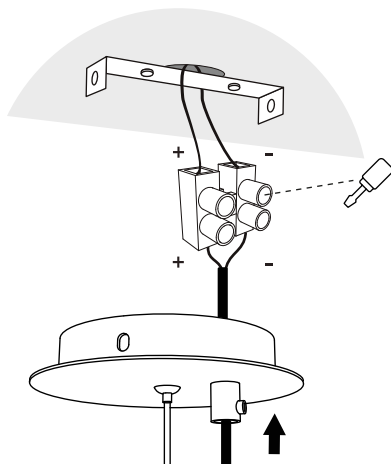
The installation should be done by two people.



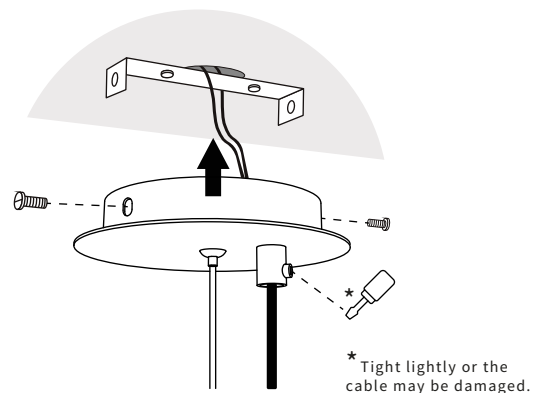
## 2 Pass the electrical cable through the cable-conduit and the tension cable through the tension head. Place the safety knot on the tension cable.



## 3 Connect the wires through the connector.



## Canopy fastening.



Handle with care, fragile materials.

**Bandido** creates products that generate harmony and warmth in each space where they are present. We hope you enjoy your new product and exceeds all your expectations.

You can get more information about the maintenance of your product and warranty by scanning the following QR Code.



1 x lamp LED GU10 Bulb 7 W  
100 V ~ 130 60 Hz 7 W LED 0.07 - 0.05 A  
Included  
7 Wh

Indoor Use

#### Distrito Bandido

RFC: DBA200515RT3  
Callejón del Cristo 2 - 6A  
Col. San José del Puente  
C.P. 72150. Puebla, Puebla

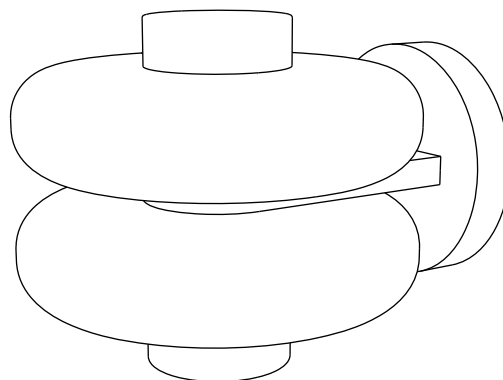
+52 (222) 688 8442  
[www.bandidostudio.com](http://www.bandidostudio.com)

# B

# DUO

## Sconce Lamp

Instructions

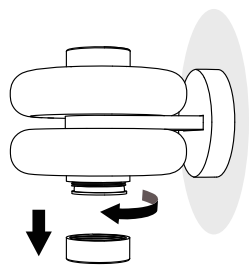


# Bandido

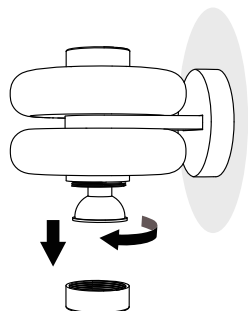
## Bulb Replacement

Tutorial

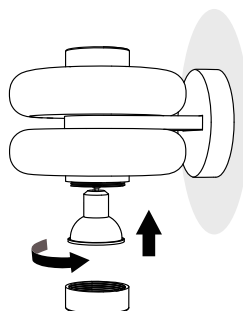
### 1



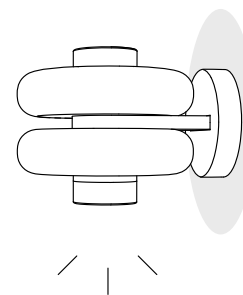
### 2



### 3



### 4



Handle with care, fragile materials.



Use only LED bulb

# Installation Guide

Sconce Lamp

We suggest that any electrical work should be performed by a qualified electrician.

## Parts included.



Body  
(1 pc.)




Hexagonal Screw  
(2 pcs.)




GU10 Bulb  
(1 pc.)

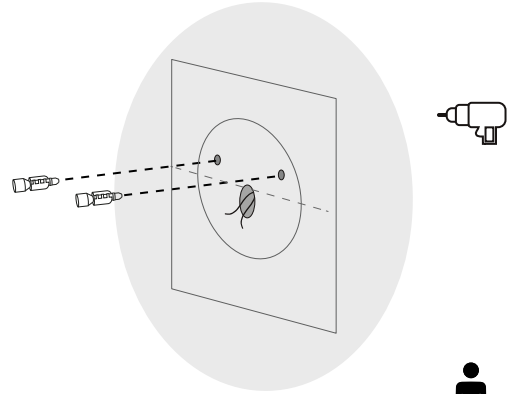



Wall Plug  
(2 pcs.)

 **CAUTION: Turn off the power supply before executing any electrical installation.**

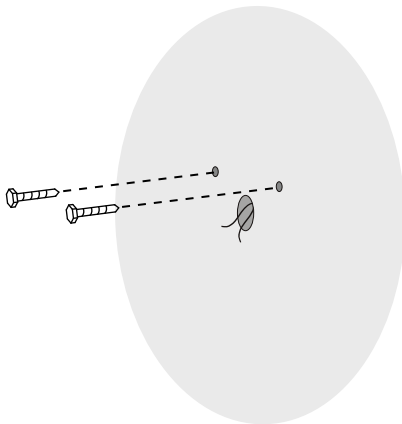
 **We recommend incorporating structural reinforcement elements in drywall or comparable wall and ceiling finishes.**

**1** Before drilling, use the **Fixation Template** to mark the screw positions, ensuring they are aligned, level, and horizontal.



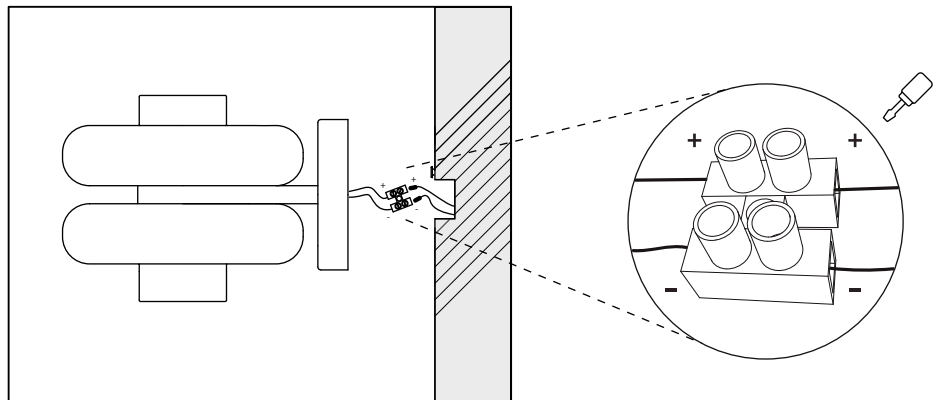
The installation should be done by two people.  x2

**2** Placement of hexagonal screws.

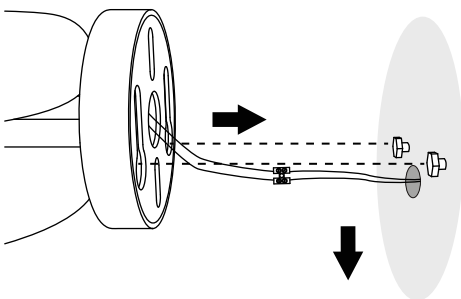


\*Leave 2-3 mm separation from wall.

**3** Connect wires through the connector.



**4** Carefully align the fixture body and position it onto the hexagonal screws.



\*Place cables through the hole on wall.

 **Handle with care, fragile materials.**

**Bandido** creates products that generate harmony and warmth in each space where they are present. We hope you enjoy your new product and exceeds all your expectations.

You can get more information about the maintenance of your product and warranty by scanning the following QR Code.



#### Light Source

3 x G9 LED COB bulb 2.5 W máx.  
120 V ~ 60 Hz 0.020 A  
Included  
7.5 Wh

Indoor Use

#### Distrito Bandido

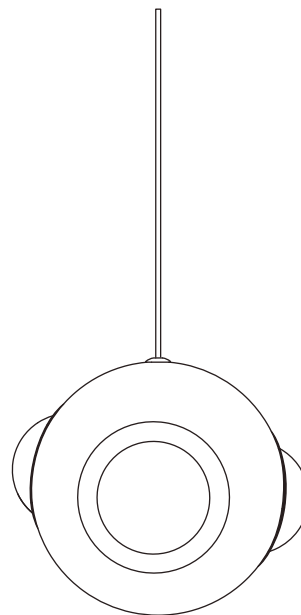
RFC: DBA200515RT3  
Callejón del Cristo 2 - 6A  
Col. San José del Puente  
C.P. 72150. Puebla, Puebla

+52 (222) 688 8442  
[www.bandidostudio.com](http://www.bandidostudio.com)

# B HUMO 18

## Pendant Lamp

Instructions

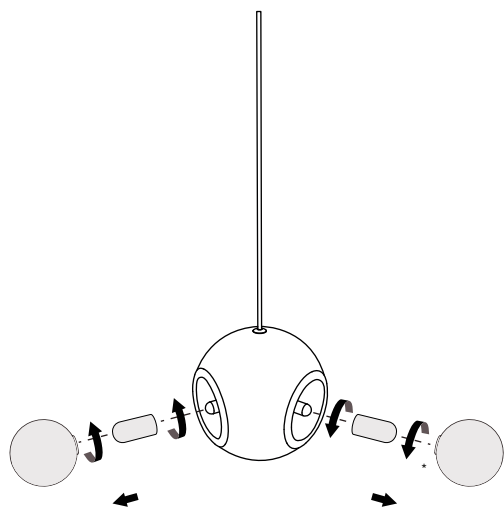


# Bandido

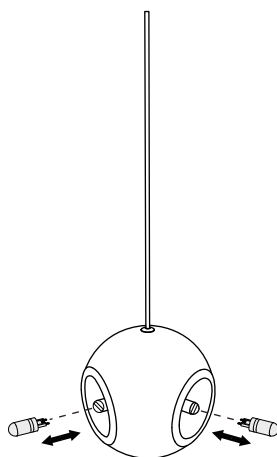
## Bulb replacement

Tutorial

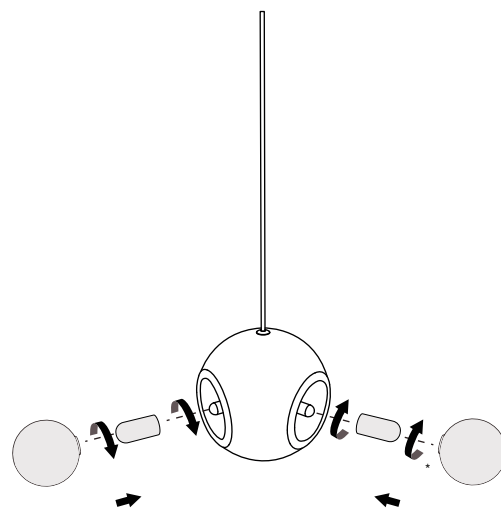
### 1



### 2



### 3



\*Align the glasses diffusers and screw gently to avoid jamming.



Handle with care, fragile materials.



Use only LED bulb

# Installation Guide

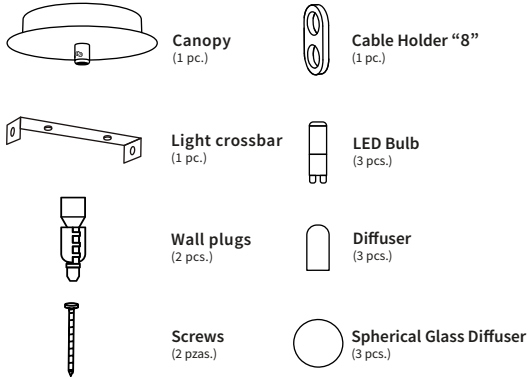
Pendant Lamp



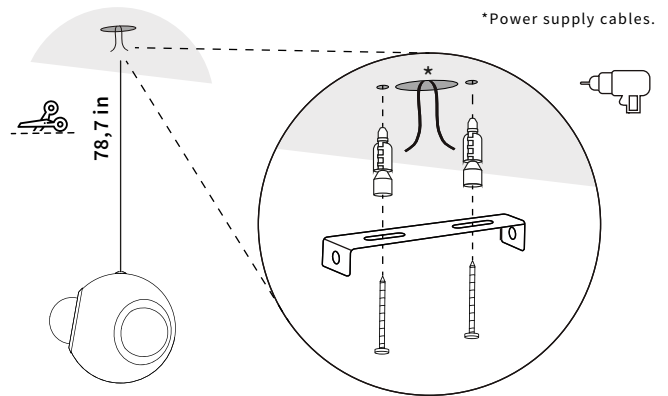
**CAUTION: Turn off the power supply before executing any electrical installation.**

**We suggest that any electrical work should be performed by a qualified electrician.**

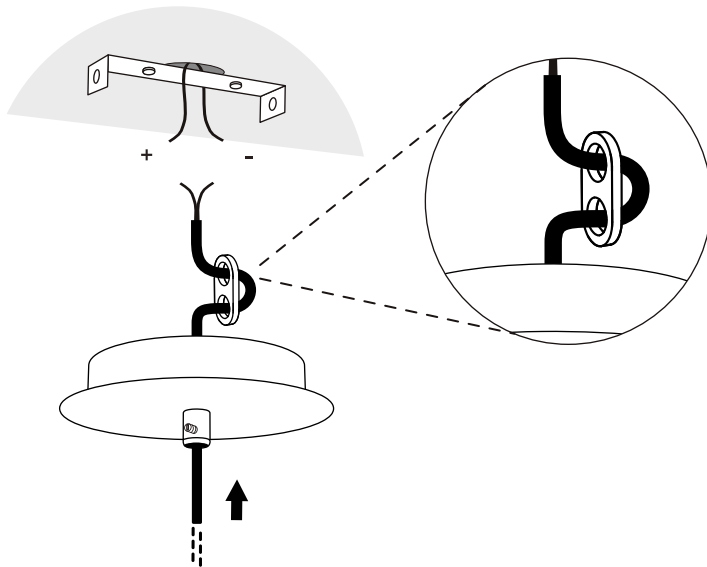
## Parts included.



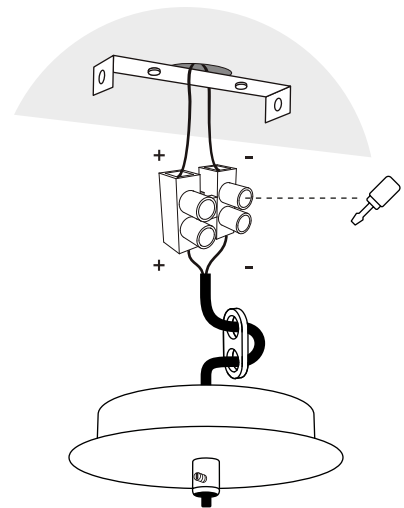
## 1 Cut the cable to the desired length.



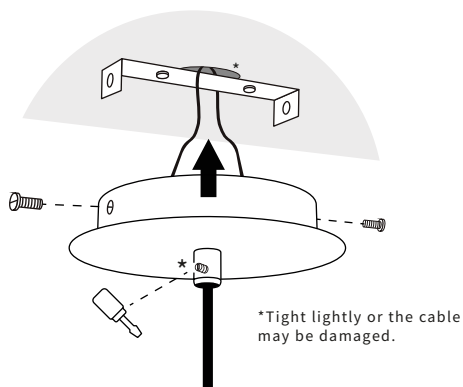
## 2 Pass the canopy and cable holder "8" through the cable.



## 3 Connect the wires through the connector.



## 4 Canopy fastening.



**Handle with care, fragile materials.**

**Bandido** creates products that generate harmony and warmth in each space where they are present. We hope you enjoy your new product and exceeds all your expectations.

You can get more information about the maintenance of your product and warranty by scanning the following QR Code.



#### Light Source

2 x G9 LED COB bulb 2.5 W máx.  
120 V ~ 60 Hz 0.020 A  
Included  
5 Wh

Indoor Use

#### Distrito Bandido

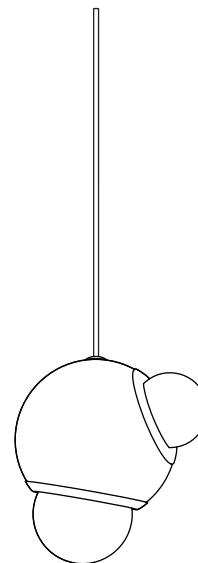
RFC: DBA200515RT3  
Callejón del Cristo 2 - 6A  
Col. San José del Puente  
C.P. 72150. Puebla, Puebla

+52 (222) 688 8442  
[www.bandidostudio.com](http://www.bandidostudio.com)

# B HUMO 13

## Pendant Lamp

Instructions



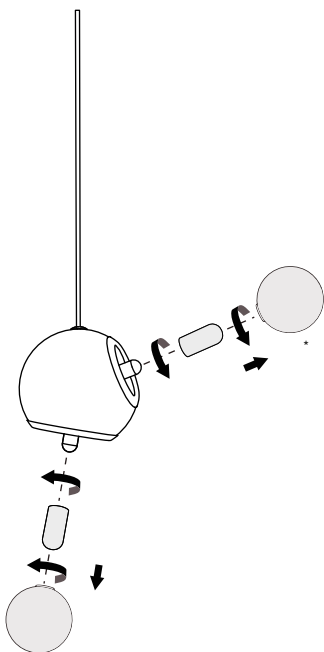
# Bandido

## Bulb replacement

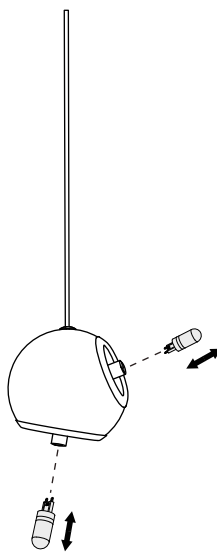
Tutorial

\*Align the glasses diffusers and screw gently to avoid jamming.

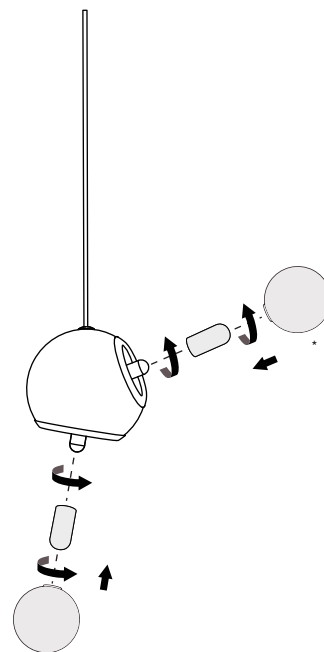
1



2



3



Handle with care, fragile materials.



Use only LED bulb



# Installation Guide

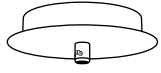
Pendant Lamp



**CAUTION: Turn off the power supply before executing any electrical installation.**

**We suggest that any electrical work should be performed by a qualified electrician.**

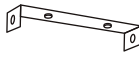
## Parts included.



Canopy  
(1 pc.)



Cable Holder "8"  
(1 pc.)



Light crossbar  
(1 pc.)



LED Bulb  
(2 pcs.)



Wall plugs  
(2 pcs.)



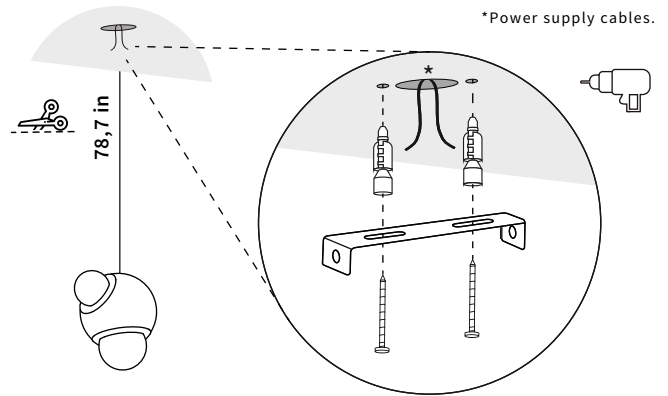
Glass Diffuser  
(2 pcs.)



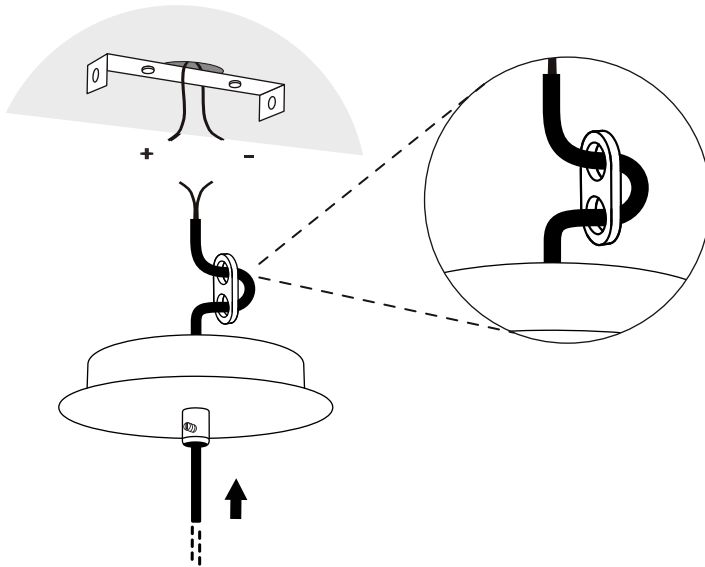
Screws  
(2 pcs.)

Spherical Glass Diffuser  
(2 pcs.)

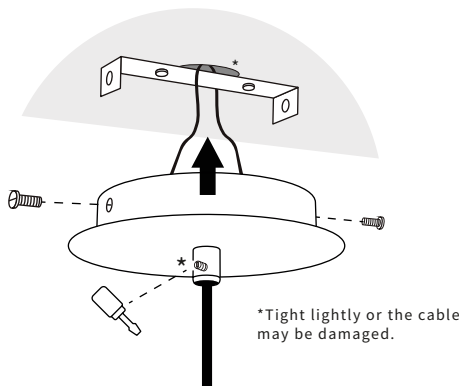
## 1 Cut the cable to the desired length.



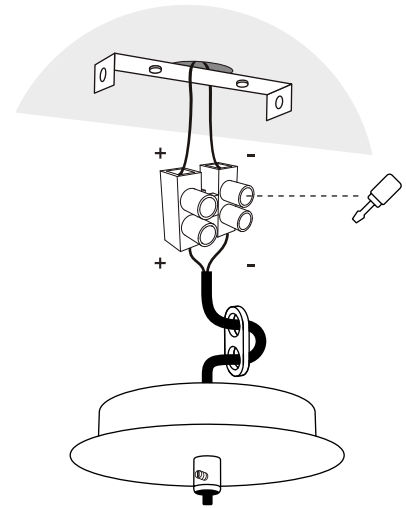
## 2 Pass the canopy and cable holder "8" through the cable.



## 4 Canopy fastening.



## 3 Connect the wires through the connector.



**Handle with care, fragile materials.**

**Bandido** creates products that generate harmony and warmth in each space where they are present. We hope you enjoy your new product and exceeds all your expectations.

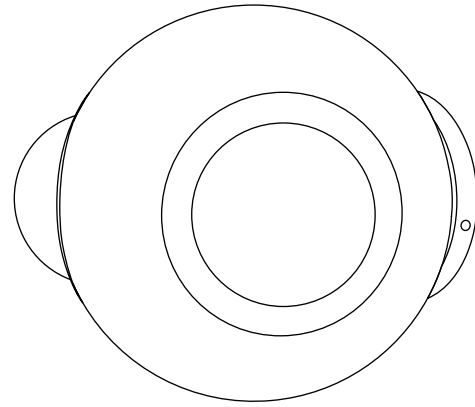
You can get more information about the maintenance of your product and warranty by scanning the following QR Code.



# B HUMO 18

## Wall Sconce

Instructions



### Light Source

2 x G9 LED COB bulb 2.5 W máx.  
120 V ~ 60 Hz 0.020 A  
Included  
5 Wh

Indoor Use

### Distrito Bandido

RFC: DBA200515RT3  
Callejón del Cristo 2 - 6A  
Col. San José del Puente  
C.P. 72150. Puebla, Puebla

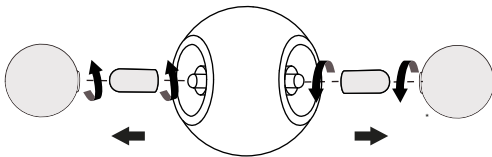
+52 (222) 688 8442  
[www.bandidostudio.com](http://www.bandidostudio.com)

# Bandido

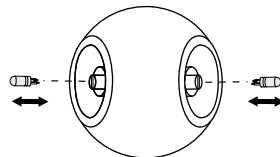
## Bulb replacement

Tutorial

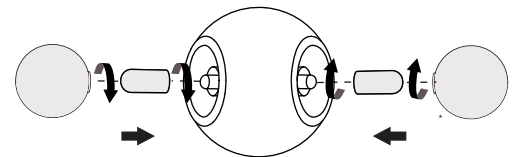
### 1



### 2



### 3



\*Align the glasses diffusers and screw gently to avoid jamming.



Handle with care, fragile materials.



Use only LED bulb

# Installation Guide

Wall Sconce



**CAUTION:** Turn off the power supply before executing any electrical installation.

We suggest that any electrical work should be performed by a qualified electrician.

## Parts included.



**Body**  
(1 pc.)



**Diffuser**  
(2 pcs.)



**Allen Screw**  
(2 pcs.)



**Spherical Glass Diffuser**  
(2 pcs.)



**Steel Plate**  
(1 pc.)



**Screws**  
(2 pcs.)



**LED Bulb**  
(2 pcs.)

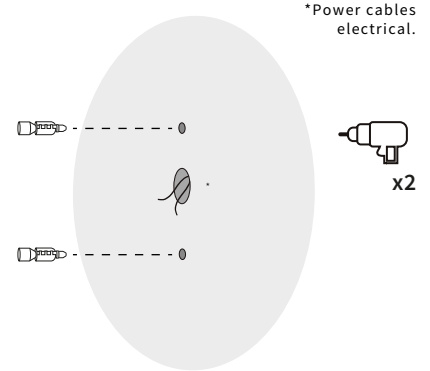


**Wall plugs**  
(2 pcs.)



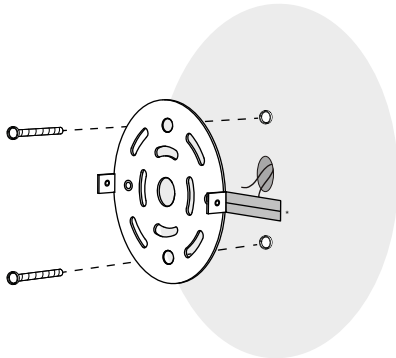
**Allen Key**  
(1 pc.)

## 1 Placement of wall plugs. Before drilling, mark the location of the screws according to the steel plate.

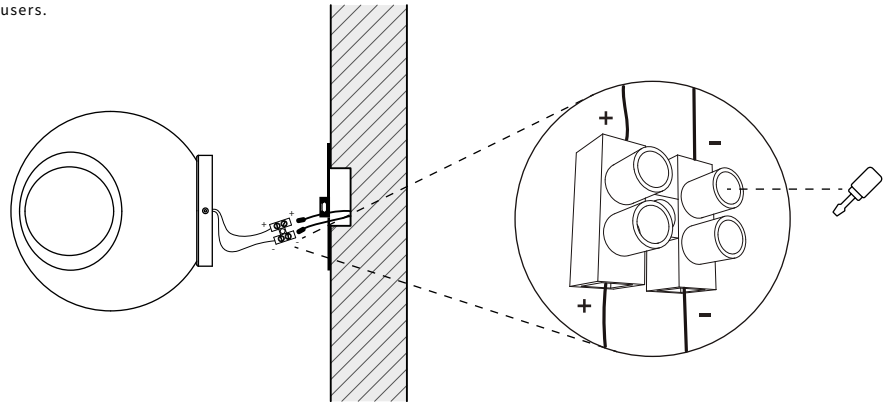


## 2 Steel plate fastening.

\*Consider labels as a guide for placement of the diffusers.

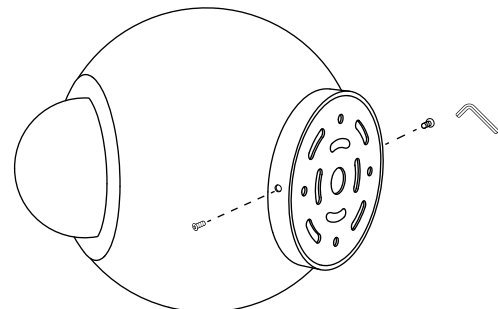
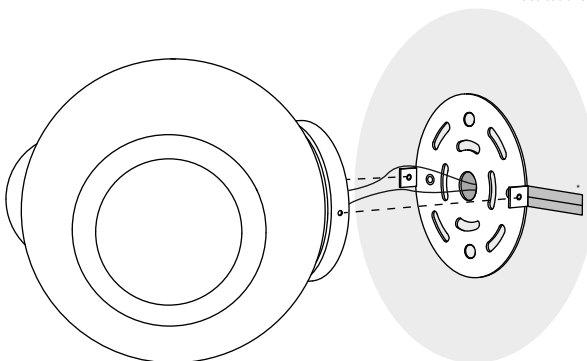


## 3 Connect the wires through the connector.



## 4 Body fastening.

\*Remove label once installed the lamp.



**Handle with care, fragile materials.**

**Bandido** creates products that generate harmony and warmth in each space where they are present. We hope you enjoy your new product and exceeds all your expectations.

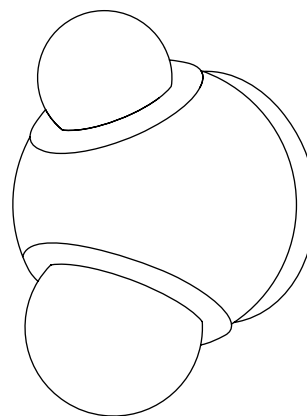
You can get more information about the maintenance of your product and warranty by scanning the following **QR Code**.



# B HUMO 13

## Wall Sconce

Instructions



### Light Source

2 x G9 LED COB bulb 2.5 W máx.  
120 V ~ 60 Hz 0.020 A  
Included  
5 Wh

Indoor Use

### Distrito Bandido

RFC: DBA200515RT3  
Callejón del Cristo 2 - 6A  
Col. San José del Puente  
C.P. 72150. Puebla, Puebla

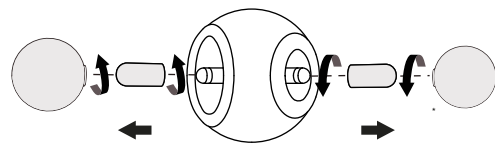
+52 (222) 688 8442  
[www.bandidostudio.com](http://www.bandidostudio.com)

# Bandido

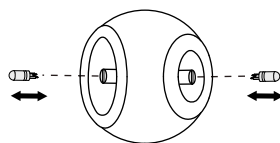
## Bulb replacement

Tutorial

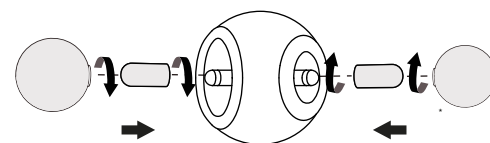
# 1



# 2



# 3



\*Align the glasses diffusers and screw gently to avoid jamming.



Handle with care, fragile materials.



Use only LED bulb

# Installation Guide

Wall Sconce



**CAUTION: Turn off the power supply before executing any electrical installation.**

**We suggest that any electrical work should be performed by a qualified electrician.**

## Parts included.



**Body**  
(1 pc.)



**Diffuser**  
(2 pcs.)



**Allen Screw**  
(2 pcs.)



**Spherical Glass Diffuser**  
(2 pcs.)



**Steel Plate**  
(1 pc.)



**Screws**  
(2 pcs.)



**LED Bulb**  
(2 pcs.)

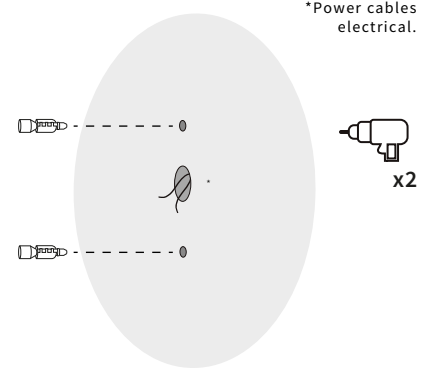


**Wall plugs**  
(2 pcs.)



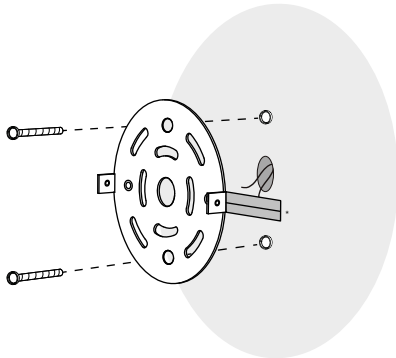
**Allen Key**  
(1 pc.)

## 1 Placement of wall plugs. Before drilling, mark the location of the screws according to the steel plate.

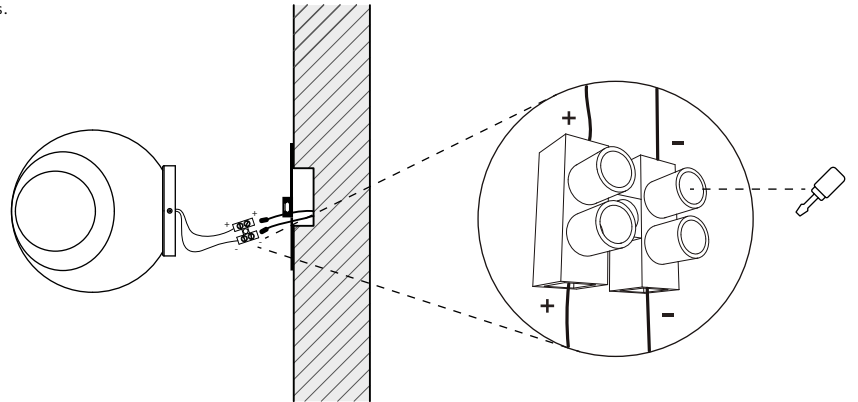


## 2 Steel plate fastening.

\*Consider labels as a guide for placement of the diffusers.

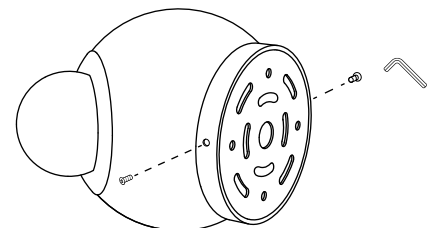
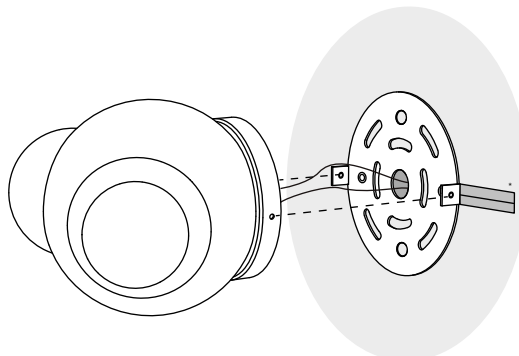


## 3 Connect the wires through the connector.



## 4 Body fastening.

\*Remove label once installed the lamp.



**Handle with care, fragile materials.**

**B**

**Bandido** creates products that generate harmony and warmth in each space where they are present. We hope you enjoy your new product and exceeds all your expectations.

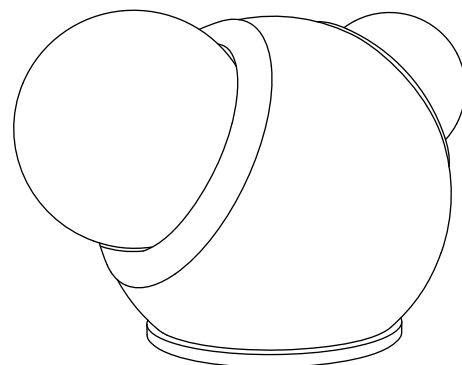
You can get more information about the maintenance of your product and warranty by scanning the following **QR Code**.



# B HUMO

## Table Lamp

Instructions



### Light Source

2 x G9 LED COB bulb 2.5 W máx.  
120 V ~ 60 Hz 0.020 A  
Included  
7.5 Wh

Indoor Use

### Distrito Bandido

RFC: DBA200515RT3  
Callejón del Cristo 2 - 6A  
Col. San José del Puente  
C.P. 72150. Puebla, Puebla

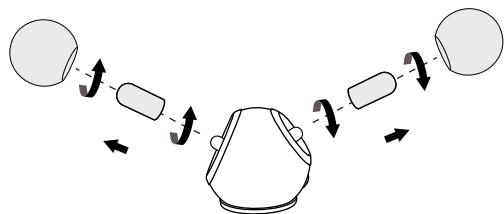
+52 (222) 688 8442  
[www.bandidostudio.com](http://www.bandidostudio.com)

# Bandido

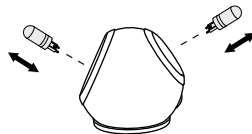
## Bulb replacement

Tutorial

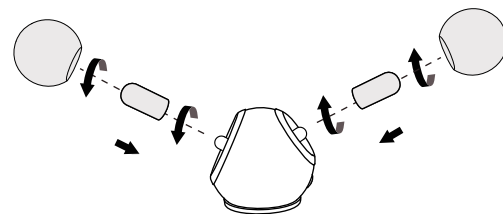
# 1



# 2



# 3



\*Align the glasses diffusers and screw gently to avoid jamming.



Handle with care, fragile materials.



Use only LED bulb

**Bandido** creates products that generate harmony and warmth in each space where they are present. We hope you enjoy your new product and exceeds all your expectations.

You can get more information about the maintenance of your product and warranty by scanning the following QR Code.



#### Light Source

1 x LED module 18 W  
127 V - 60 Hz 18 W LED 0.141 A  
Included  
18 Wh

Indoor use

#### Distrito Bandido

RFC: DBA200515RT3  
Callejón del Cristo 2 - 6A  
Col. San José del Puente  
C.P. 72150. Puebla, Puebla

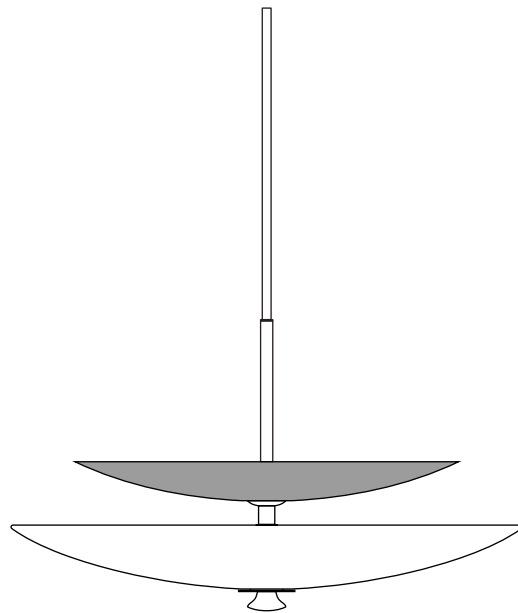
+52 (222) 688 8442  
[www.bandidostudio.com](http://www.bandidostudio.com)

# B

# FASE

## Pendant Lamp

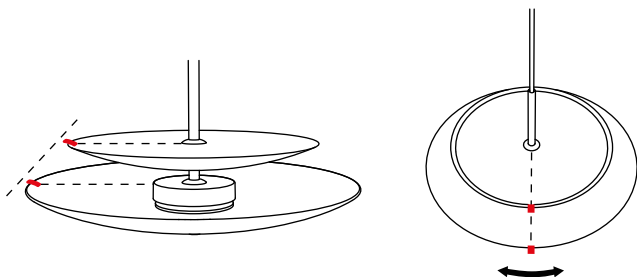
Instructions



# Bandido

## Indications of use

- 1** Unpack carefully. The materials are brittle and can easily crack.
- 2** Follow instructions on back of sheet for installation of this product.
- 3** Rotate onyx disc to align the guide tags.



## Spare parts

- To replace the LED module, contact Bandido directly.
- Driver integrated in the product.



Handle with care, fragile materials.



Use only LED bulb

# Installation Guide

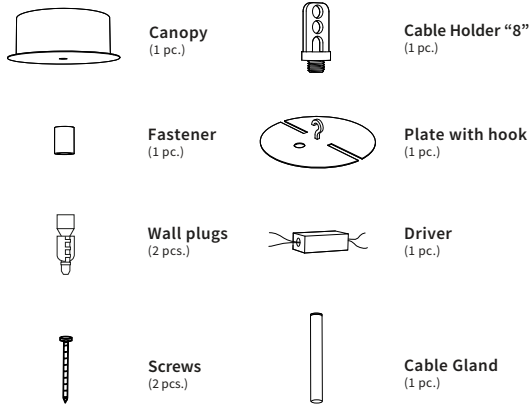
Pendant Lamp



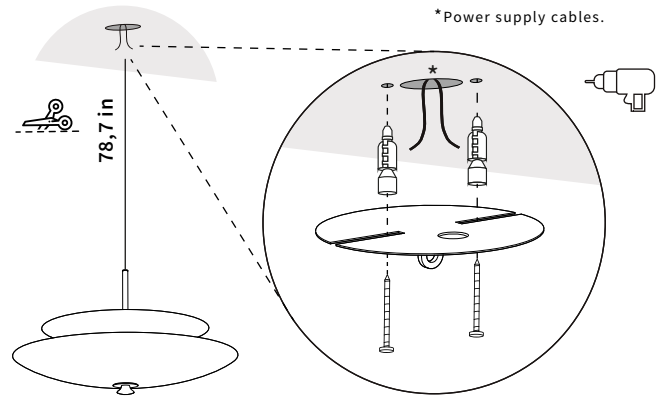
**CAUTION:** Turn off the power supply before executing any electrical installation.

We suggest that any electrical work should be performed by a qualified electrician.

## Parts included.



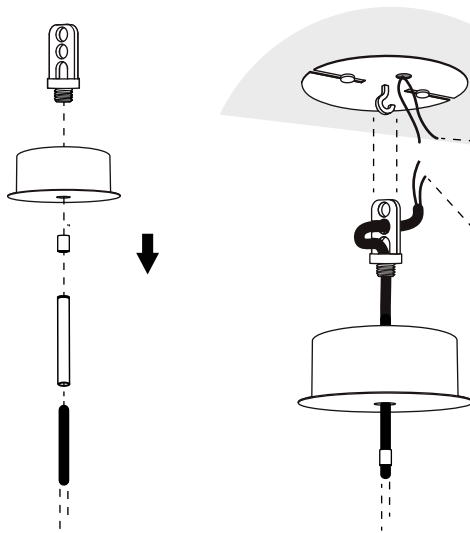
**1** Cut the cable to the desired length. Place the wall plugs and fix the plate with the screws to the ceiling.



The installation should be done by two people.



**2** Pass the cable gland, fastener, canopy and cable holder "8" through the cable, then hang it on to the hook.



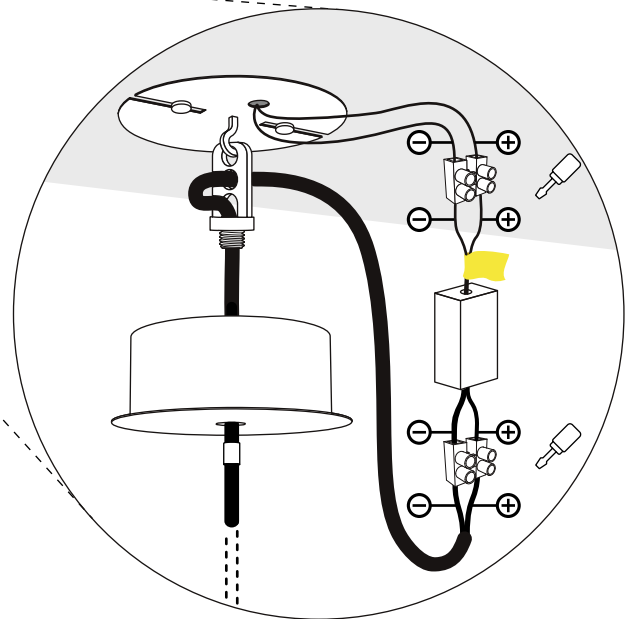
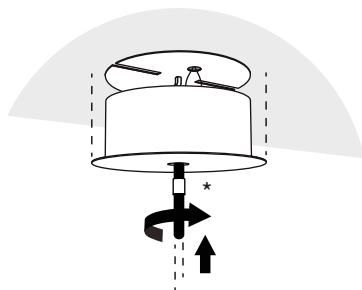
**3** Connect the wires through the Driver according to the cable label.



**CAUTION RISK OF ELECTRIC SHOCK**

Follow the instructions from cable label for electrical installation.

**4** Canopy fastening.



**Connection of cables from lamp to Driver:**

Positive (+) with positive (+).  
Negative (-) with negative (-).



**CAUTION** Ensure that all connections are properly set before turning on. Incorrect use of the driver may damage the LED.

**B**



**Bandido** creates products that generate harmony and warmth in each space where they are present. We hope you enjoy your new product and exceeds all your expectations.

You can get more information about the maintenance of your product and warranty by scanning the following **QR Code**.



#### Light Source

1 x LED module 15 W  
127 V - 60 Hz 15 W LED 0.118 A  
Included  
15 Wh

Indoor use

#### Distrito Bandido

RFC: DBA200515RT3  
Callejón del Cristo 2 - 6A  
Col. San José del Puente  
C.P. 72150. Puebla, Puebla

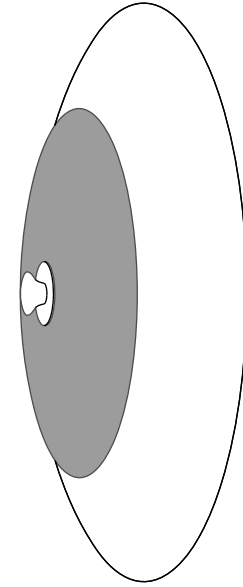
+52 (222) 688 8442  
[www.bandidostudio.com](http://www.bandidostudio.com)

# B

# FASE

## Sconce Lamp

Instructions



# Bandido

## Indications of use

**1** Unpack carefully. The materials are brittle and can easily crack.

**2** Follow instructions on back of sheet for installation of this product.

## Spare parts

- To replace the LED module, contact Bandido directly.

- Driver integrated in the product.



Handle with care, fragile materials.



Use only LED bulb

# Installation Guide

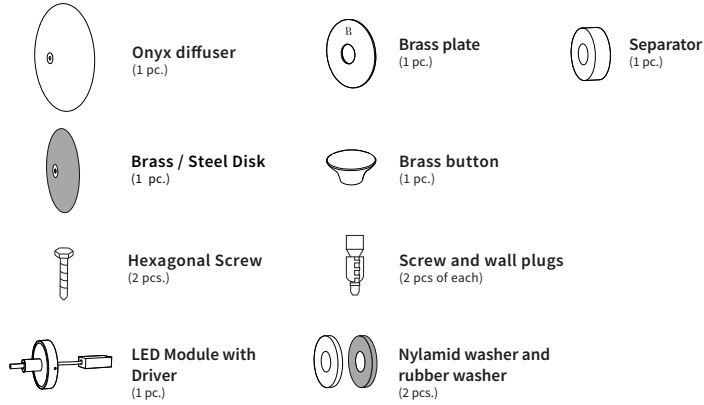
Sconce Lamp



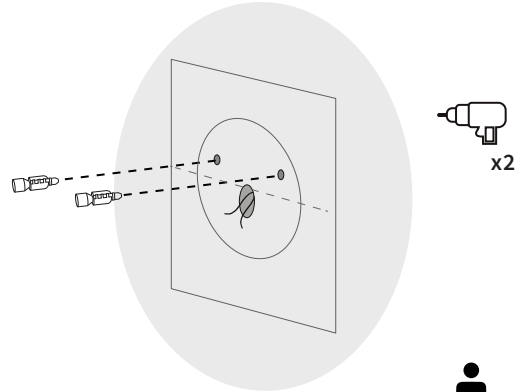
**CAUTION: Turn off the power supply before executing any electrical installation.**

**We suggest that any electrical work should be performed by a qualified electrician.**

## Parts included.

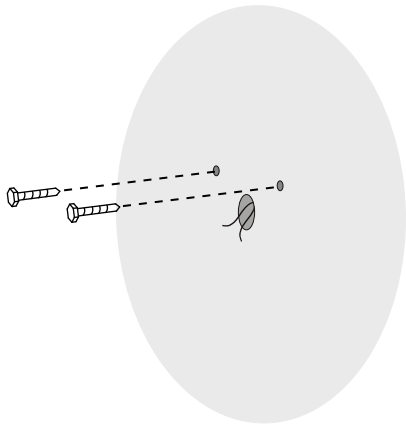


**1** Before drilling, use the **Fixation Template** to mark the screw positions, ensuring they are aligned, level, and horizontal.



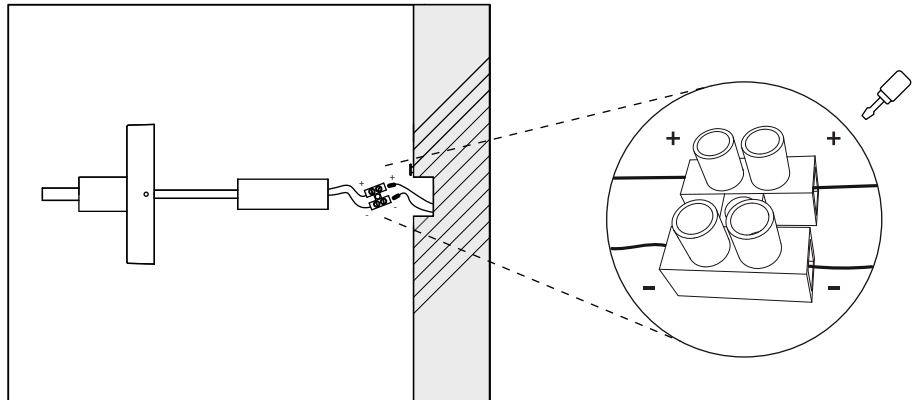
The installation should be done by two people.

**2** Placement of hexagonal screws.

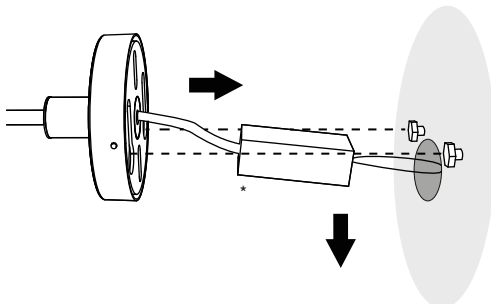


\*Leave a 2-3 mm separation from wall.

**3** Connect the wires + to + and - to - through the connector.

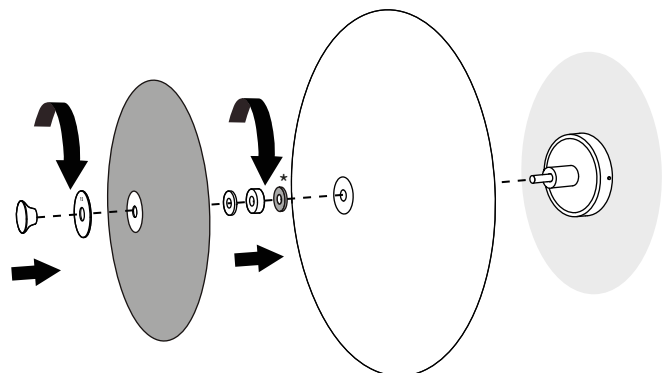


**4** Carefully align the fixture body and position it onto the hexagonal screws.



\*Place Driver inside the hole on wall.

**5** Onyx diffuser placement and Brass / Steel disk.



\*Rubber washer.



**Handle with care, fragile materials.**

**B**

**Bandido** creates products that generate harmony and warmth in each space where they are present. We hope you enjoy your new product and exceeds all your expectations.

You can get more information about the maintenance of your product and warranty by scanning the following QR Code.



#### Light Source

1 x LED module 18 W  
127 V ~ 60 Hz 18 W LED 0.141 A  
Included  
18 Wh

Indoor use

#### Distrito Bandido

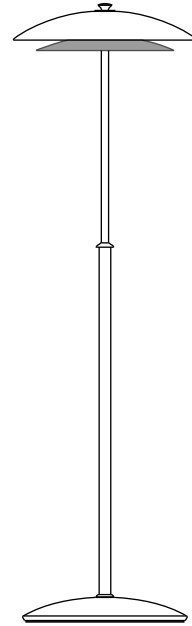
RFC: DBA200515RT3  
Callejón del Cristo 2 - 6A  
Col. San José del Puente  
C.P. 72150. Puebla, Puebla

+52 (222) 688 8442  
[www.bandidostudio.com](http://www.bandidostudio.com)

# B FASE

## Floor Lamp

Instructions



# Bandido

## Indications of use

**1** Unpack carefully. The materials are brittle and can easily crack.

**2** Connect plug to electrical outlet.

**3** Use button switch to turn on and off.

## Spare parts

- To replace the LED module, contact Bandido directly.

- Driver integrated in the product.



Handle with care, fragile materials.



Use only LED bulb

**Bandido** creates products that generate harmony and warmth in each space where they are present. We hope you enjoy your new product and exceeds all your expectations.

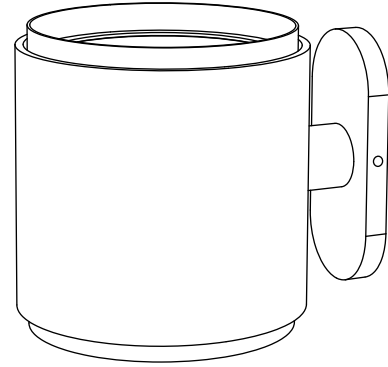
You can get more information about the maintenance of your product and warranty by scanning the following QR Code.



# B TEMPLO

## Wall Sconce

Instructions



### Distrito Bandido

RFC: DBA200515RT3  
Callejón del Cristo 2 - 6A  
Col. San José del Puente  
C.P. 72150. Puebla, Puebla

+52 (222) 688 8442

[www.bandidostudio.com](http://www.bandidostudio.com)

### Light Source

1 x G9 LED bulb 5 W max.  
120 V - 60 Hz 5 W 0.038 A.  
Included  
5 Wh

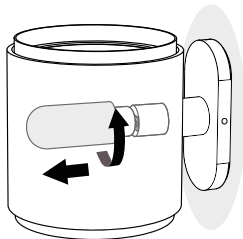
Indoor Use

# Bandido

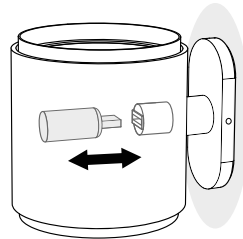
## Bulb replacement

Tutorial

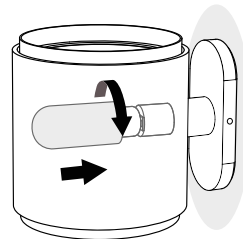
1



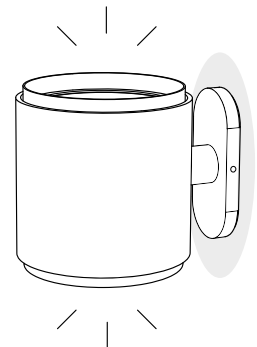
2



3



4



Handle with care, fragile materials.



Use only LED bulb

# Installation Guide

Wall Sconce



**CAUTION:** Turn off the power supply before executing any electrical installation.

We suggest that any electrical work should be performed by a qualified electrician.

## Parts included.



**Body**  
(1 pc.)



**Diffuser**  
(1 pc.)



**Fasteners**  
(2 pcs.)



**Screws**  
(2 pcs.)



**Steel Plate**  
(1 pc.)

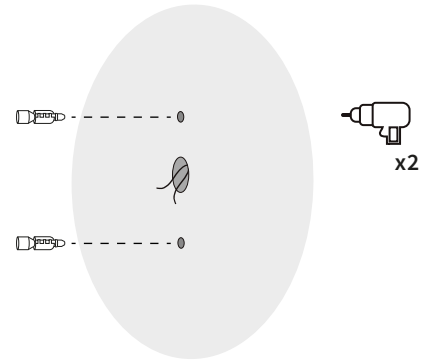


**Wall plugs**  
(2 pcs.)

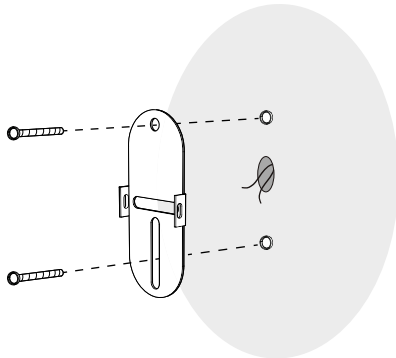


**LED Bulb**  
(1 pc.)

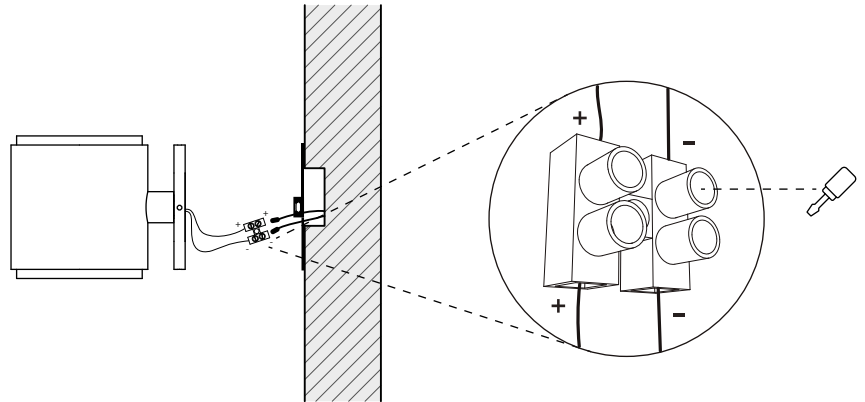
**1** Placement of wall plugs. Before drilling, mark the location of the screws according to the steel plate.



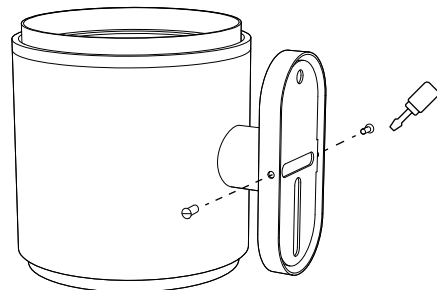
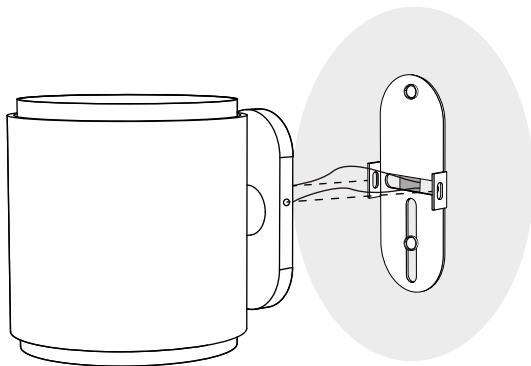
**2** Steel plate fastening.



**3** Connect the wires through the connector.



**4** Body fastening.



**Handle with care, fragile materials.**

**Bandido** creates products that generate harmony and warmth in each space where they are present. We hope you enjoy your new product and exceeds all your expectations.

You can get more information about the maintenance of your product and warranty by scanning the following **QR Code**.



#### Light Source

1 x E27 LED bulb PAR30 10 W max.  
120 V - 60 Hz 10 W LED 0.1 A.  
Included  
10 Wh

Indoor Use

#### Distrito Bandido

RFC: DBA200515RT3  
Callejón del Cristo 2 - 6A  
Col. San José del Puente  
C.P. 72150. Puebla, Puebla

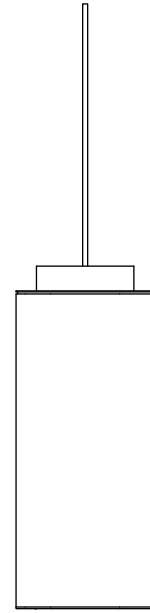
+52 (222) 688 8442

[www.bandidostudio.com](http://www.bandidostudio.com)

# B TEMPLO

## Pendant Lamp

Instructions

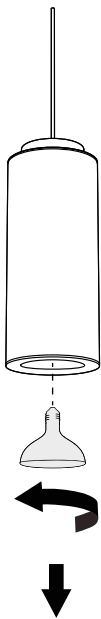


# Bandido

## Bulb replacement

Tutorial

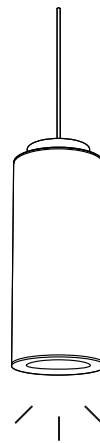
**1**



**2**



**3**



Handle with care, fragile materials.



Use only LED bulb

# Installation Guide

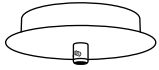
Pendant Lamp



**CAUTION: Turn off the power supply before executing any electrical installation.**

**We suggest that any electrical work should be performed by a qualified electrician.**

## Parts included.



Canopy  
(1 pc.)



Cable Holder "8"  
(1 pc.)



Light crossbar  
(1 pc.)

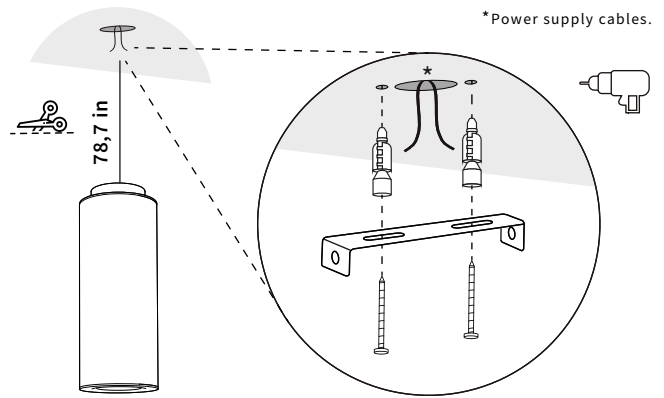


Wall plugs  
(2 pcs.)

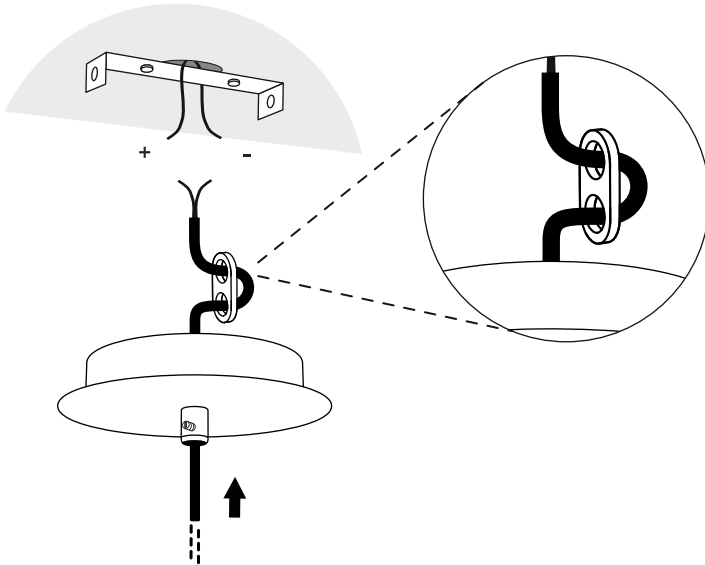


Screws  
(2 pcs.)

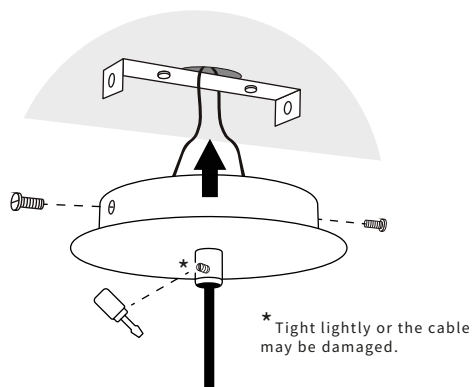
**1** Cut the cable to the desired length. Place the wall plugs and fix the light crossbar to the ceiling.



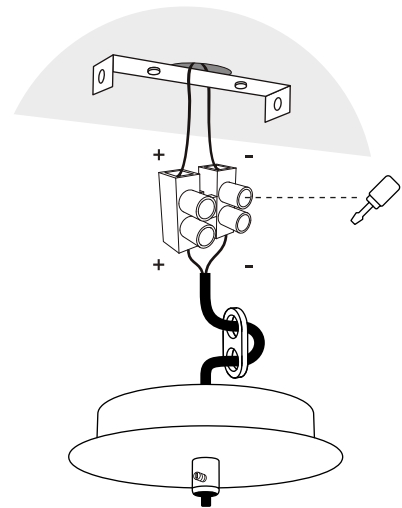
**2** Pass the canopy and cable holder "8" through the cable.



**4** Canopy fastening.



**3** Connect the wires through the connector.



**Handle with care, fragile materials.**

**Bandido** creates products that generate harmony and warmth in each space where they are present. We hope you enjoy your new product and exceeds all your expectations.

You can get more information about the maintenance of your product and warranty by scanning the following QR Code.



#### Light Source

2 x E27 LED bulb PAR20 7 W max.  
127 V - 60 Hz 7 W LED 0.07 A.  
Included  
7 Wh

Indoor Use

#### Distrito Bandido

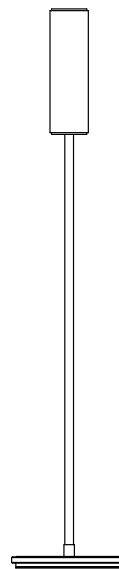
RFC: DBA200515RT3  
Callejón del Cristo 2 - 6A  
Col. San José del Puente  
C.P. 72150. Puebla, Puebla

+52 (222) 688 8442  
[www.bandidostudio.com](http://www.bandidostudio.com)

# B TEMPLO

## Floor Lamp

Instructions

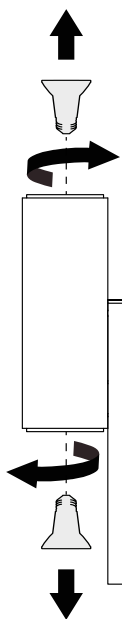


# Bandido

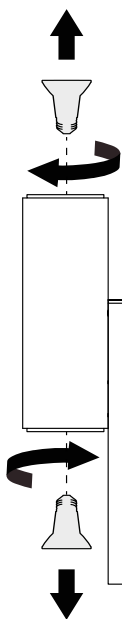
## Bulb replacement

Tutorial

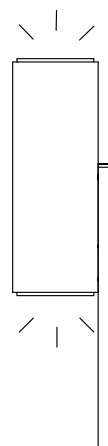
1



2



3



Handle with care, fragile materials.



Use only LED bulb



# Installation Guide

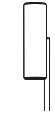
Floor Lamp



**CAUTION: Turn off the power supply before executing any electrical installation.**

**We suggest that any electrical work should be performed by a qualified electrician.**

## Parts included.



**Lamp**  
(1 pc.)



**Allen Key**  
(1 pc.)



**Base**  
(1 pc.)

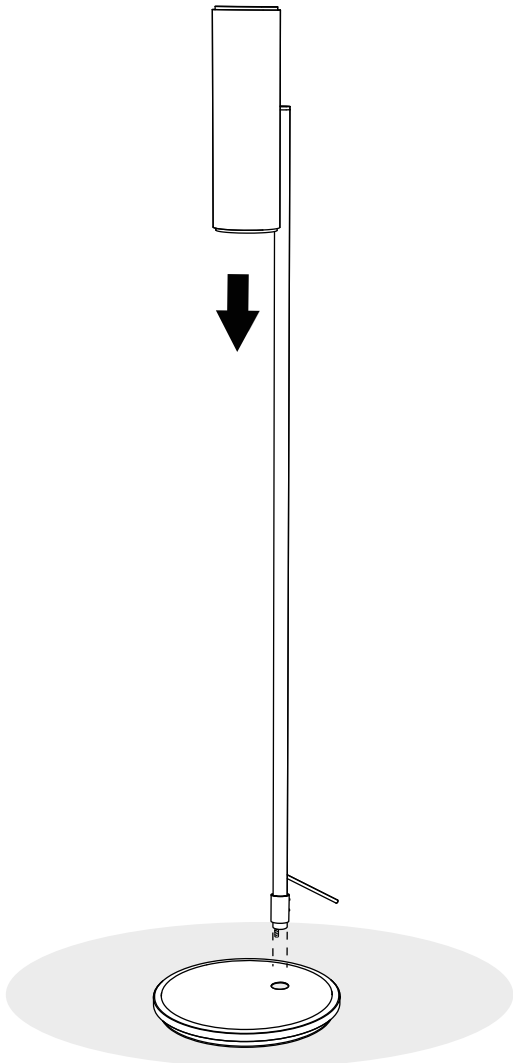


**LED Bulb**  
(2 pcs.)



**Screws**  
(1 pc.)

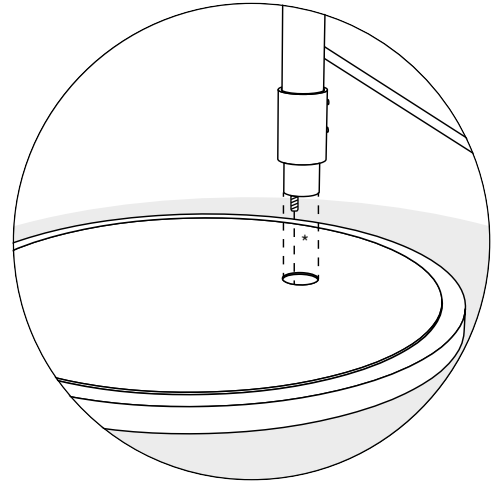
# 1



# 2

## Place the lamp on the base. (Detail)

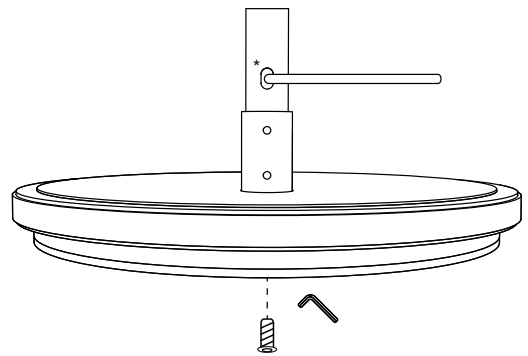
\* Reference screw for positioning the lamp tube over the base.



# 3

## Lamp assembly.

\* Verify that the cable is facing the back of the lamp.



**Handle with care, fragile materials.**

# B

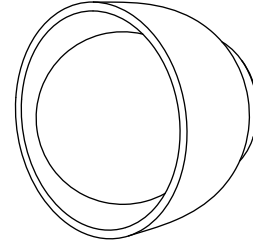
**Bandido** creates products that generate harmony and warmth in each space where they are present. We hope you enjoy your new product and exceeds all your expectations.

You can get more information about the maintenance of your product and warranty by scanning the following **QR Code**.



# B DBH 02 I

## Wall Sconce Instructions



### Light Source

1 x G9 LED COB bulb 2.5 W max.  
120 V - 60 Hz 2.5 W LED 0.02 A.  
Included  
2.5 Wh

Indoor use

### Distrito Bandido

RFC: DBA200515RT3  
Callejón del Cristo 2 - 6A  
Col. San José del Puente  
C.P. 72150. Puebla, Puebla

+52 (222) 688 8442

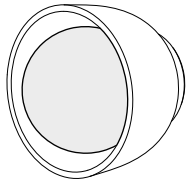
[www.bandidostudio.com](http://www.bandidostudio.com)

# Bandido

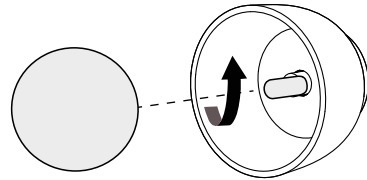
## Bulb replacement

Tutorial

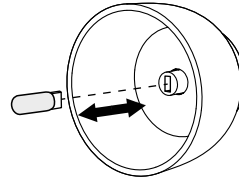
**1**



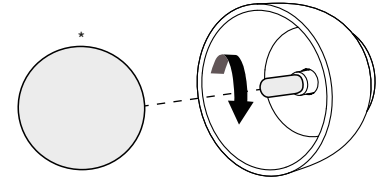
**2**



**3**



**4**



\*Align the glass diffuser and screw gently to avoid jamming.



Handle with care, fragile materials.



Use only LED bulb

# Installation Guide

Wall Sconce



**CAUTION: Turn off the power supply before executing any electrical installation.**

**We suggest that any electrical work should be performed by a qualified electrician.**

Parts included.



**Module**  
(1 pc.)



**Glass Diffuser**  
(1 pc.)



**Brass Cover**  
(1 pc.)



**Screws**  
(2 pcs.)

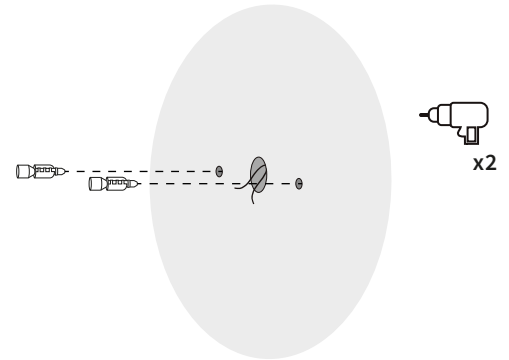


**LED Bulb**  
(1 pc.)

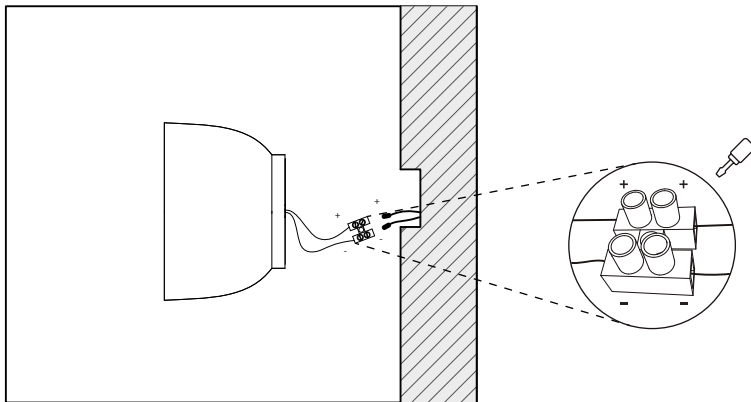


**Wall Plugs**  
(2 pcs.)

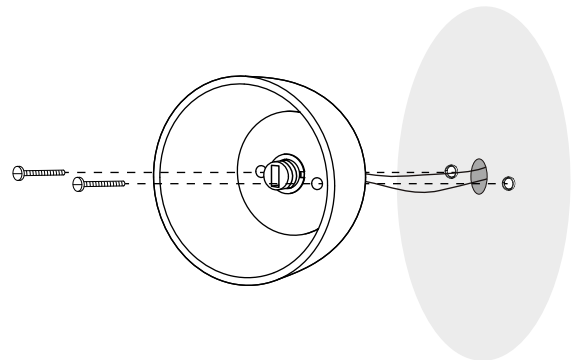
**1** Placement of wall plugs. Before drilling, mark the location of the wall holes according to the module.



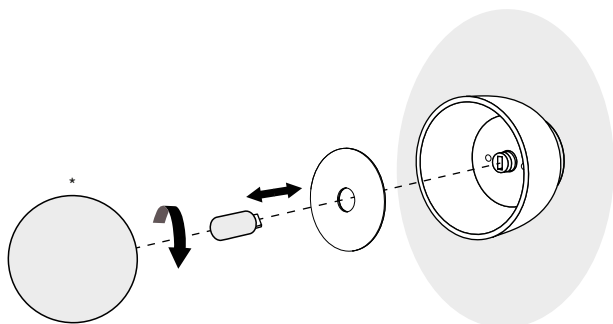
**2** Connect the wires through the connector.



**3** Fix the module to the wall.



**4** Put the brass cover followed by the LED Bulbs and Glass Diffusers.



\*Align the glass diffuser and screw gently to avoid jamming.



**Handle with care, fragile materials.**

**Bandido** creates products that generate harmony and warmth in each space where they are present. We hope you enjoy your new product and exceeds all your expectations.

You can get more information about the maintenance of your product and warranty by scanning the following **QR Code**.

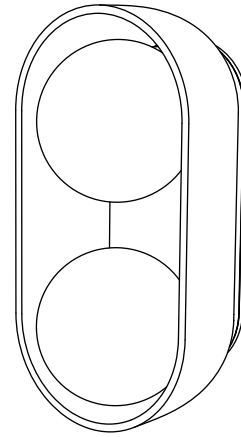


# B

# DBH 02 II

## Wall Sconce

Instructions



### Light Source

2 x G9 LED COB bulb 2.5 W max.  
120 V - 60 Hz 2.5 W LED 0.02 A.  
Included  
2.5 Wh

Indoor use

### Distrito Bandido

RFC: DBA200515RT3  
Callejón del Cristo 2 - 6A  
Col. San José del Puente  
C.P. 72150. Puebla, Puebla

+52 (222) 688 8442

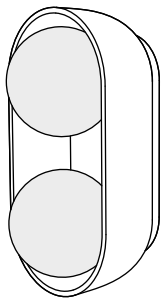
[www.bandidostudio.com](http://www.bandidostudio.com)

# Bandido

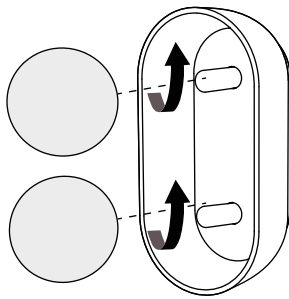
## Bulb replacement

Tutorial

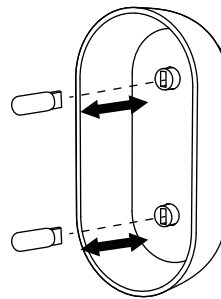
### 1



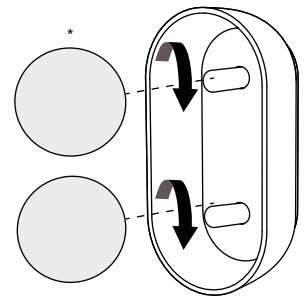
### 2



### 3



### 4



\*Align the glass diffuser and screw gently to avoid jamming.



Handle with care, fragile materials.



Use only LED bulb

# Installation Guide

Wall Sconce



**CAUTION: Turn off the power supply before executing any electrical installation.**

**We suggest that any electrical work should be performed by a qualified electrician.**

Parts included.



Module  
(1 pc.)



Glass Diffuser  
(2 pcs.)



Brass Cover  
(1 pc.)



Screws  
(2 pcs.)

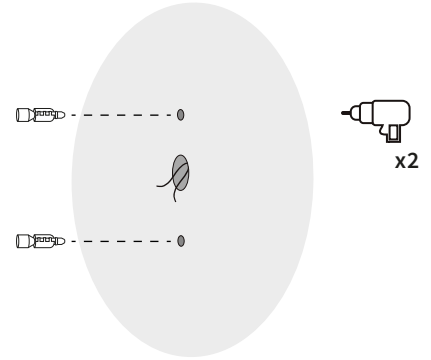


LED Bulb  
(2 pcs.)

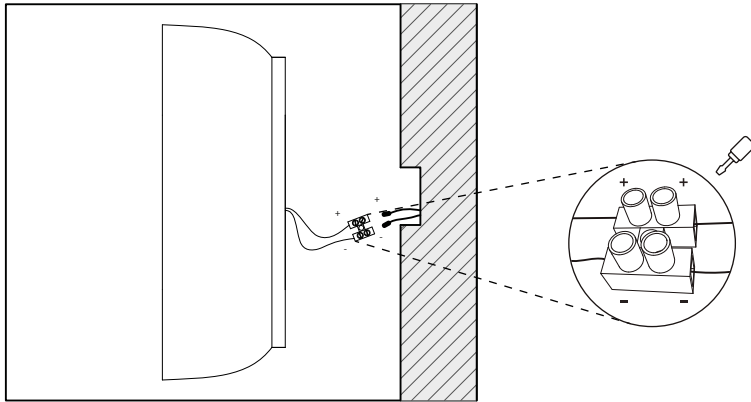


Wall Plugs  
(2 pcs.)

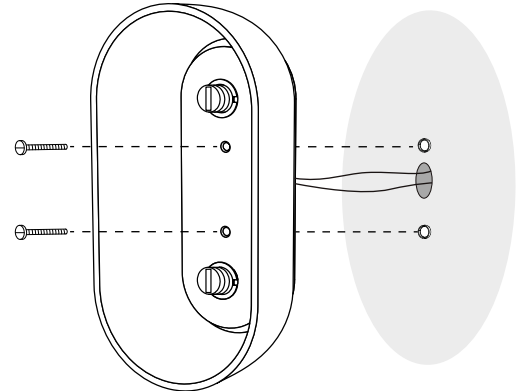
**1** Placement of wall plugs. Before drilling, mark the location of the wall holes according to the module.



**2** Connect the wires through the connector.

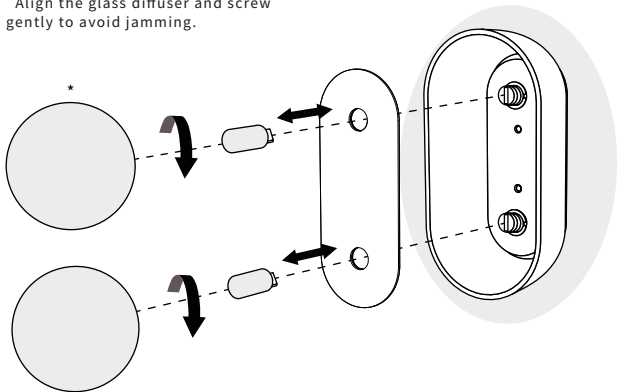


**3** Fix the module to the wall.



**4** Put the brass cover followed by the LED Bulbs and Glass Diffusers.

\*Align the glass diffuser and screw gently to avoid jamming.



**Handle with care, fragile materials.**

**Bandido** creates products that generate harmony and warmth in each space where they are present. We hope you enjoy your new product and exceeds all your expectations.

You can get more information about the maintenance of your product and warranty by scanning the following QR Code.



#### Light Source

3 x G9 LED COB bulb 2.5 W max.  
120 V - 60 Hz 2.5 W LED 0.02 A.  
Included  
2.5 Wh

Indoor use

#### Distrito Bandido

RFC: DBA200515RT3  
Callejón del Cristo 2 - 6A  
Col. San José del Puente  
C.P. 72150. Puebla, Puebla

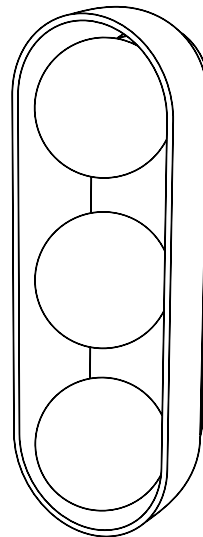
+52 (222) 688 8442  
[www.bandidostudio.com](http://www.bandidostudio.com)

# B

# DBH 02 III

## Wall Sconce

Instructions

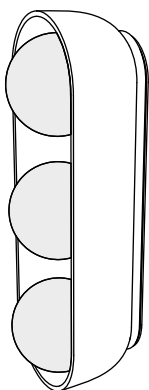


# Bandido

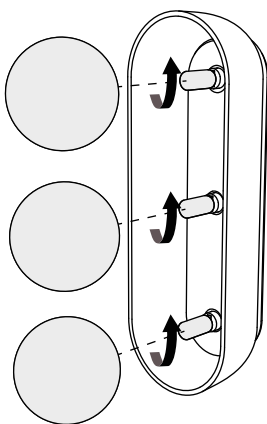
## Bulb replacement

Tutorial

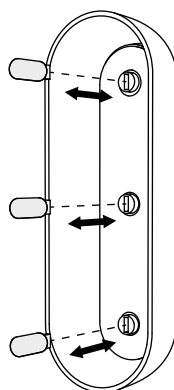
### 1



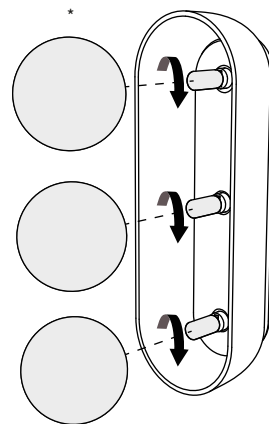
### 2



### 3



### 4



\* Align the glass diffuser and screw gently to avoid jamming.



Handle with care, fragile materials.



Use only LED bulb

# Installation Guide

Wall Sconce



**CAUTION: Turn off the power supply before executing any electrical installation.**

**We suggest that any electrical work should be performed by a qualified electrician.**

Parts included.



**Module**  
(1 pc.)



**Glass Diffuser**  
(3 pcs.)



**Brass Cover**  
(1 pc.)



**Screws**  
(2 pcs.)

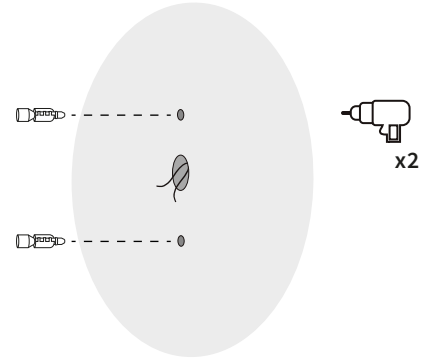


**LED Bulb**  
(3 pcs.)

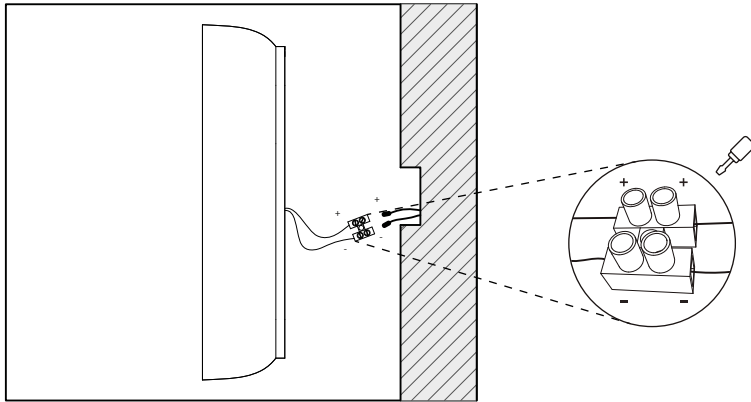


**Wall Plugs**  
(2 pcs.)

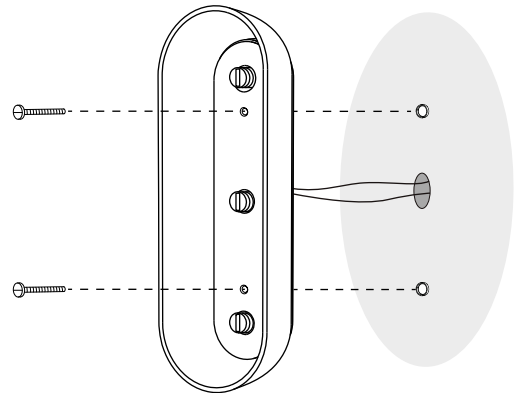
**1** Placement of wall plugs. Before drilling, mark the location of the wall holes according to the module.



**2** Connect the wires through the connector.

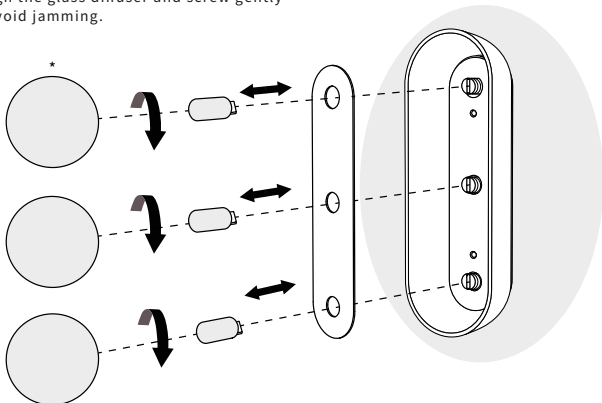


**3** Fix the module to the wall.



**4** Put the brass cover followed by the LED Bulbs and Glass Diffusers.

\*Align the glass diffuser and screw gently to avoid jamming.



**Handle with care, fragile materials.**

**Bandido** creates products that generate harmony and warmth in each space where they are present. We hope you enjoy your new product and exceeds all your expectations.

You can get more information about the maintenance of your product and warranty by scanning the following QR Code.



#### Light Source

1 x E27 LED bulb 5 W max.  
120 V ~ 60 Hz 5 W LED 0.04 A  
Included  
4.3 Wh

Indoor Use

#### Distrito Bandido

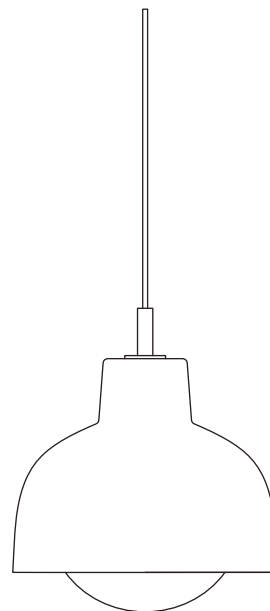
RFC: DBA200515RT3  
Callejón del Cristo 2 - 6A  
Col. San José del Puente  
C.P. 72150. Puebla, Puebla

+52 (222) 688 8442  
[www.bandidostudio.com](http://www.bandidostudio.com)

# B DBH 02

## Pendant Lamp

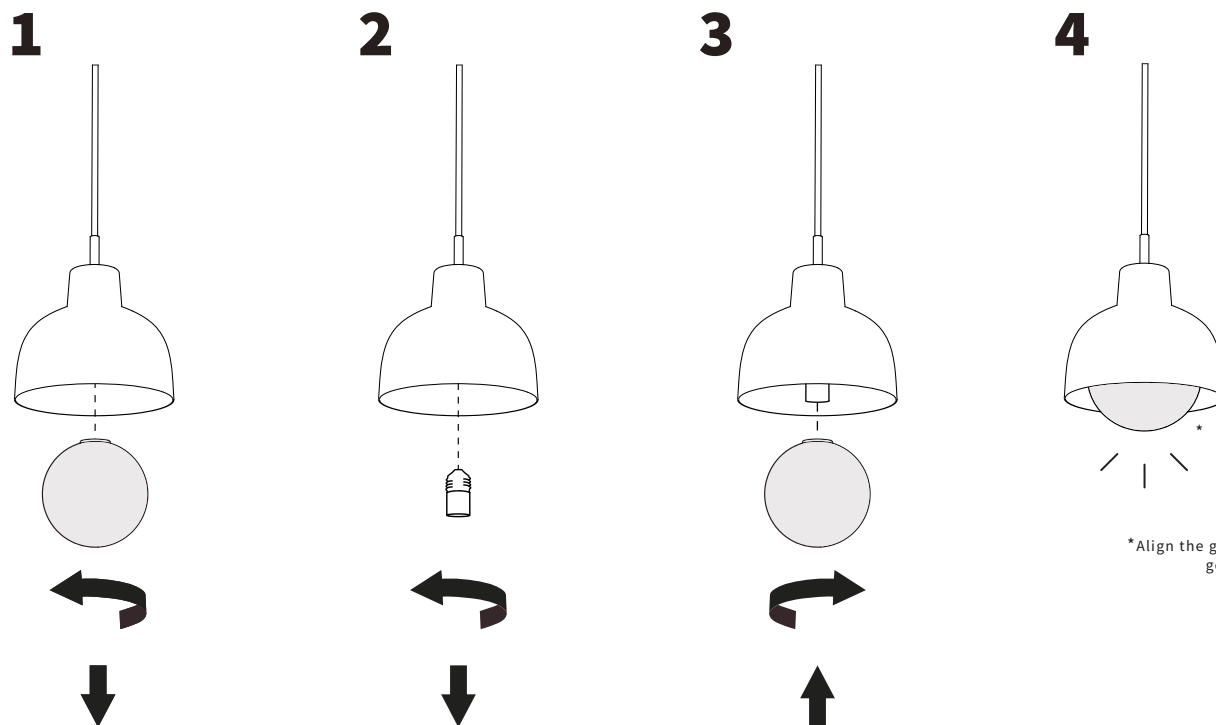
Instructions



# Bandido

## Bulb replacement

Tutorial



Handle with care, fragile materials.



Use only LED bulb



# Installation Guide

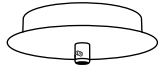
Pendant Lamp



**CAUTION: Turn off the power supply before executing any electrical installation.**

**We suggest that any electrical work should be performed by a qualified electrician.**

## Parts included.



Canopy  
(1 pc.)



Cable Holder "8"  
(1 pc.)



Light crossbar  
(1 pc.)

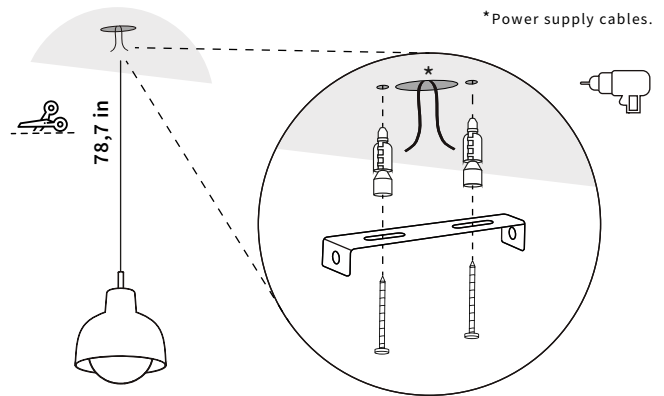


Wall plugs  
(2 pcs.)

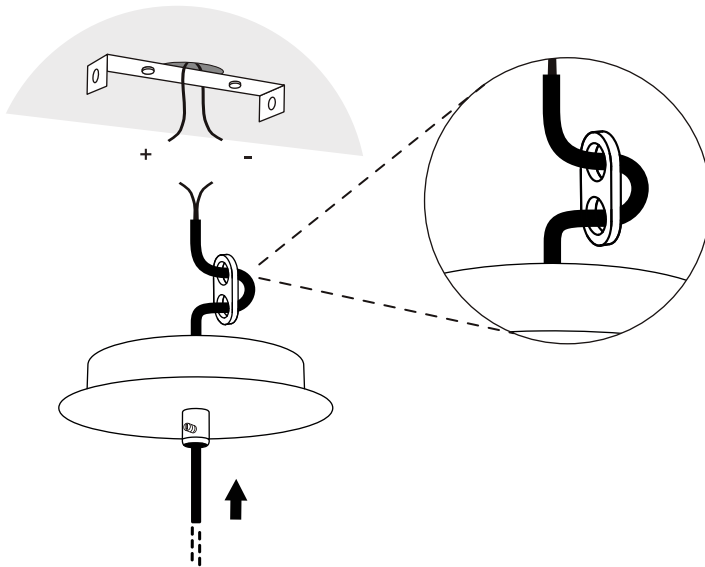


Screws  
(2 pcs.)

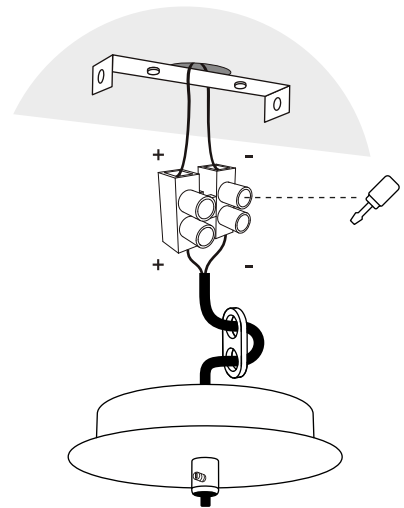
**1** Cut the cable to the desired length. Place the wall plugs and fix the light crossbar to the ceiling.



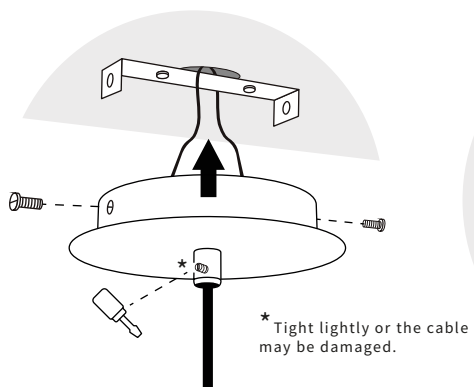
**2** Pass the canopy and cable holder "8" through the cable.



**3** Connect the wires through the connector.



**4** Canopy fastening.



**Handle with care, fragile materials.**

**Bandido** creates products that generate harmony and warmth in each space where they are present. We hope you enjoy your new product and exceeds all your expectations.

You can get more information about the maintenance of your product and warranty by scanning the following QR Code.



#### Light Source

1 x G9 LED COB Bulb 2.5 W max.  
120 V - 60 Hz 2.5 W LED 0.02 A  
Included  
2.5 Wh

Indoor use

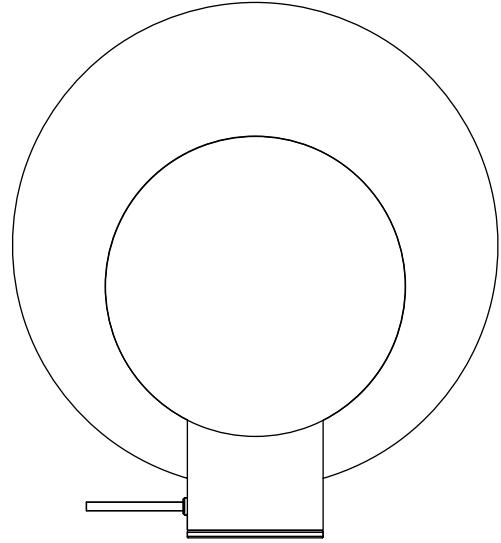
#### Distrito Bandido

RFC: DBA200515RT3  
Callejón del Cristo 2 - 6A  
Col. San José del Puente  
C.P. 72150. Puebla, Puebla

+52 (222) 688 8442  
[www.bandidostudio.com](http://www.bandidostudio.com)

# B AURA

## Table Lamp Instructions

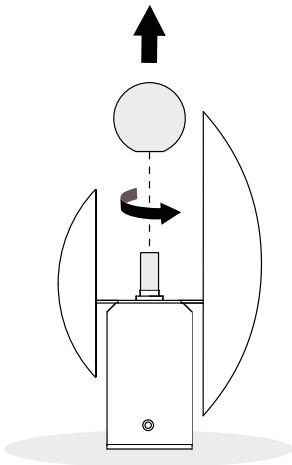


# Bandido

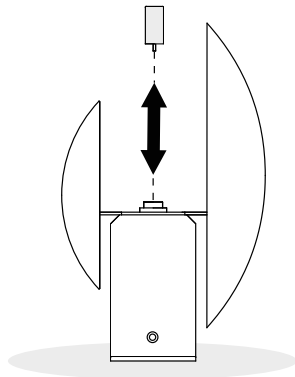
## Bulb replacement

Tutorial

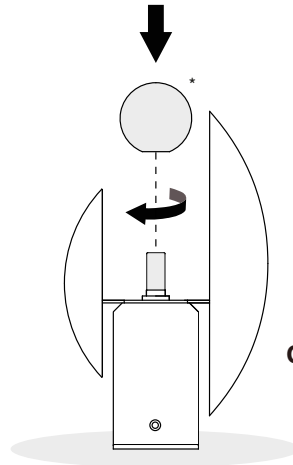
**1**



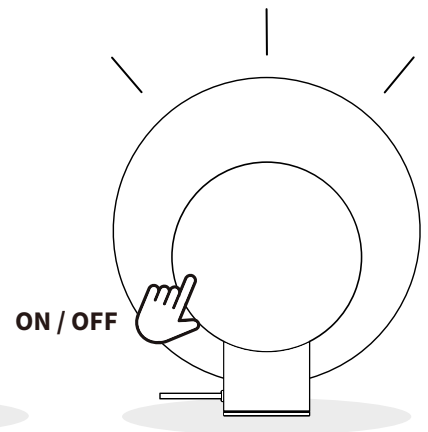
**2**



**3**



**4**



\*Align the glass diffuser and screw gently to avoid jamming.



Handle with care, fragile materials.



Use only LED bulb

# Installation Guide

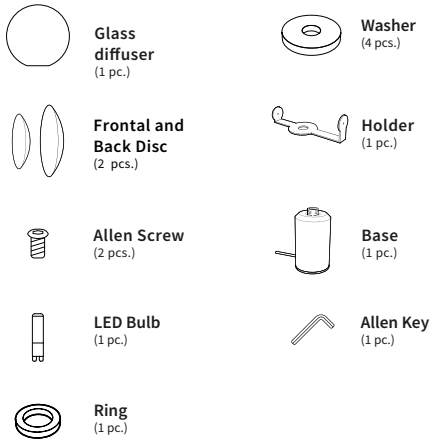
Table Lamp



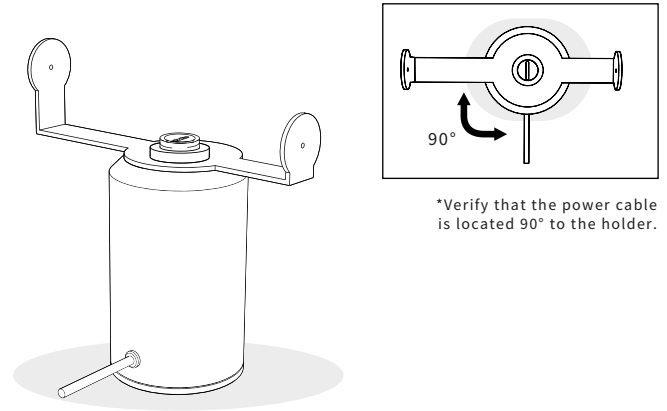
**CAUTION: Turn off the power supply before executing any electrical installation.**

**We suggest that any electrical work should be performed by a qualified electrician.**

## Parts included.

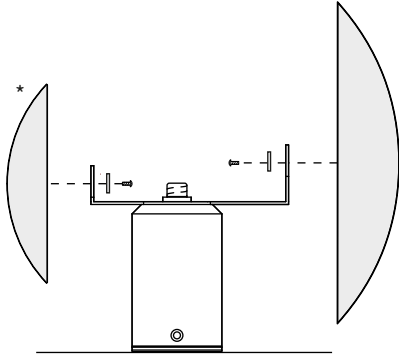


## 1 Place the holder on top of the base and fix it with the ring.

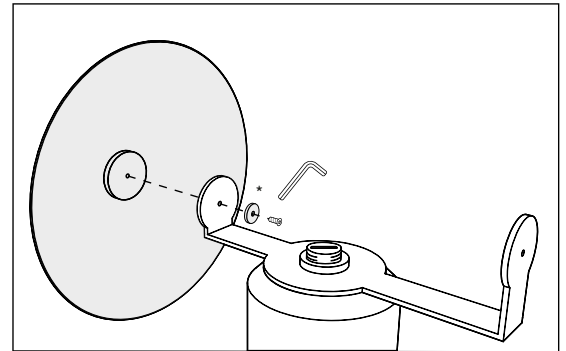


## 2 Fix discs on holder.

\*Place the discs on holder according to this illustration.

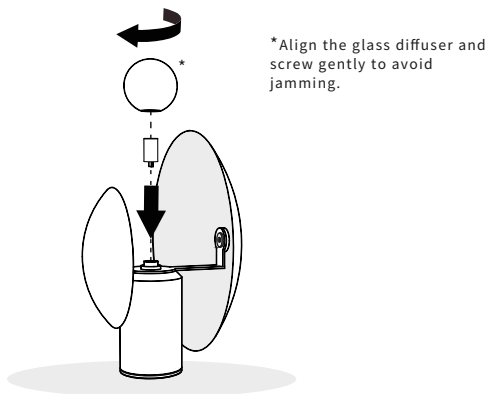


**Whether or not to use washers depends on the adjustment needed for the discs.**

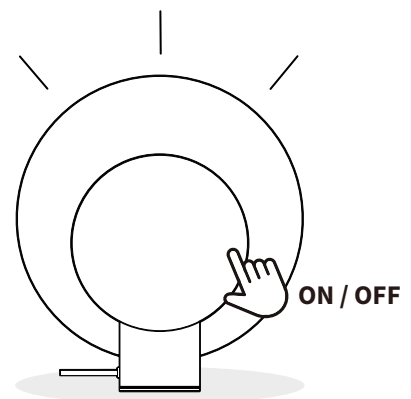


\*Place the washer between the screw and the holder to adjust the assembly.

## 3 Place the bulb and diffuser.



## 4 Switch on.



**Handle with care, fragile materials.**

**B**

**Bandido** creates products that generate harmony and warmth in each space where they are present. We hope you enjoy your new product and exceeds all your expectations.

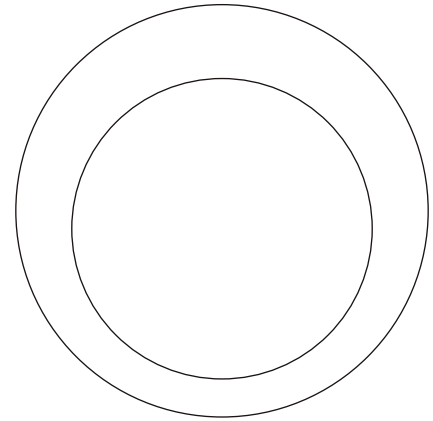
You can get more information about the maintenance of your product and warranty by scanning the following **QR Code**.



# B AURA

## Wall Sconce

Instructions



### Light Source

1 x G9 LED bulb 7 W max.  
120 V - 60 Hz 7 W LED 0.05 A.  
Included  
7 Wh

Indoor use

### Distrito Bandido

RFC: DBA200515RT3  
Callejón del Cristo 2 - 6A  
Col. San José del Puente  
C.P. 72150. Puebla, Puebla

+52 (222) 688 8442

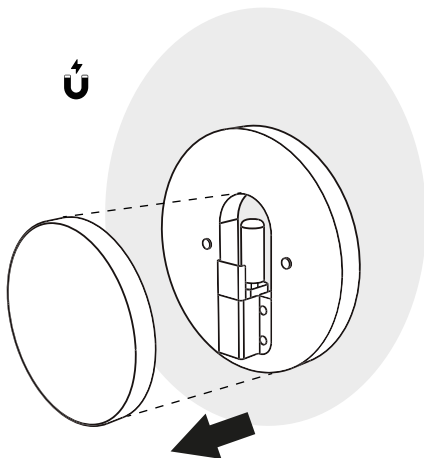
[www.bandidostudio.com](http://www.bandidostudio.com)

# Bandido

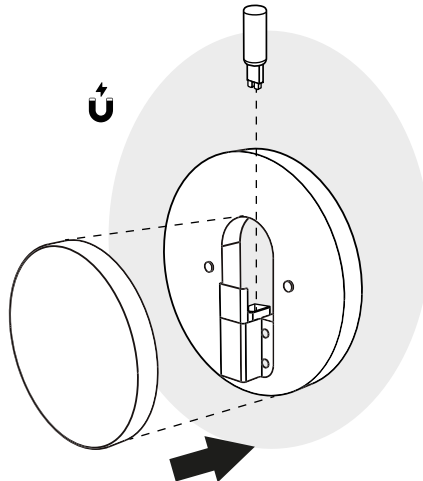
## Bulb replacement

Tutorial

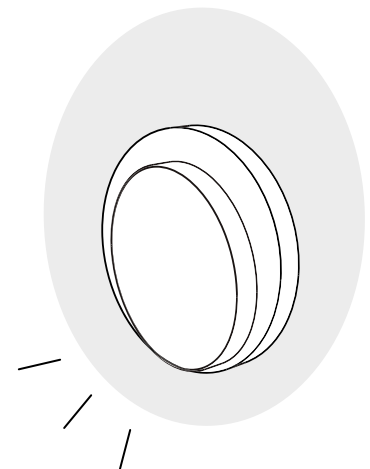
1



2



3



Handle with care, fragile materials.



Use only LED bulb

# Installation Guide

Wall Sconce



**CAUTION: Turn off the power supply before executing any electrical installation.**

**We suggest that any electrical work should be performed by a qualified electrician.**

Parts included.



**Wood Body**  
(1 pc.)



**Steel disc**  
(1 pc.)

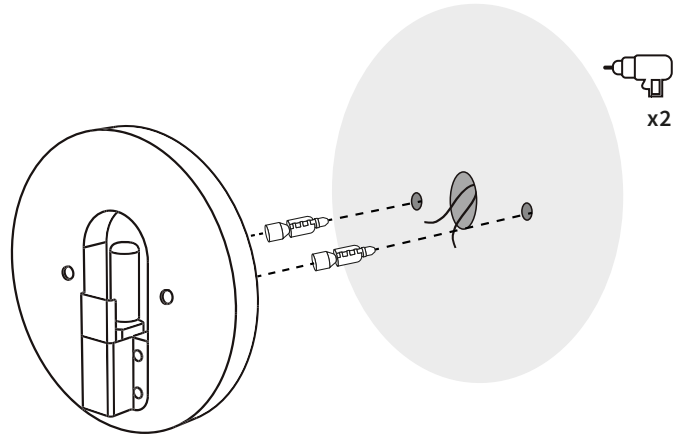


**LED Bulb**  
(1 pc.)

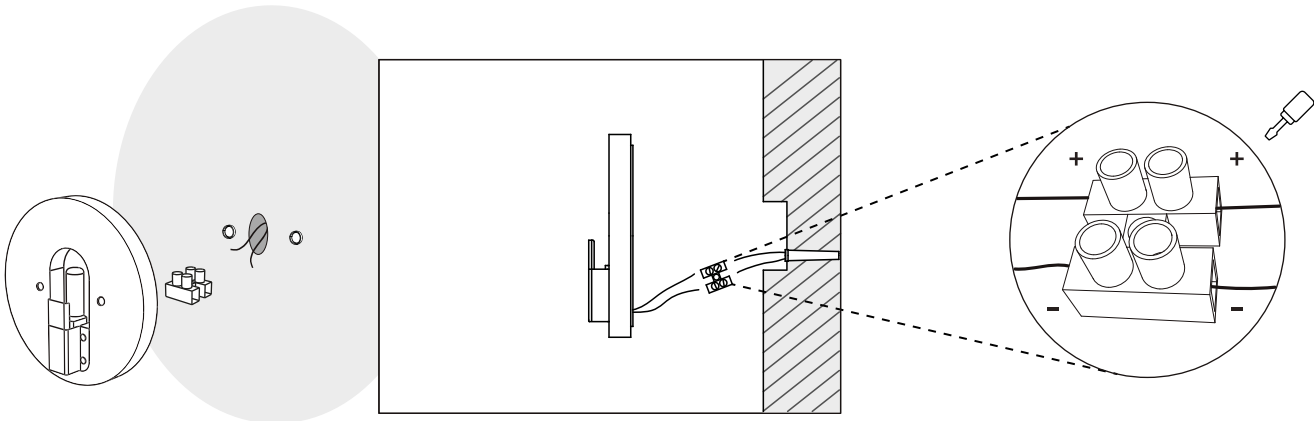


**Screws and wall plugs**  
(2 pcs. of each)

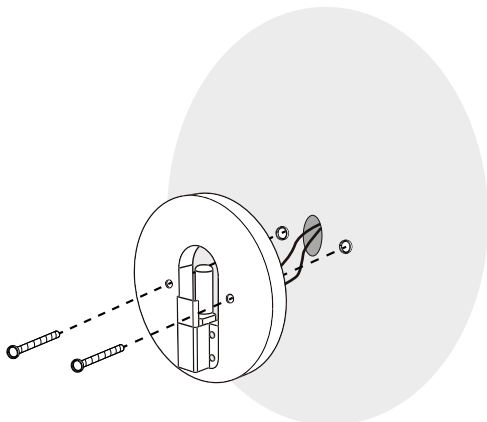
**1** Placement of the wall plugs. Before drilling, mark the location of the screws according to the **Wood Body**.



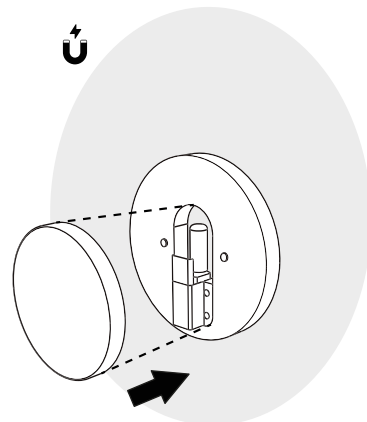
**2** Connect the wires through the connector.



**3** Fix the Wood Body to the wall.



**4** Steel disc placement.



**Handle with care, fragile materials.**

**B**

**Bandido** creates products that generate harmony and warmth in each space where they are present. We hope you enjoy your new product and exceeds all your expectations.

You can get more information about the maintenance of your product and warranty by scanning the following **QR Code**.



#### Light Source

1 x G9 LED bulb 5 W max.  
120 V - 60 Hz 5 W LED 0.03 A.  
Included  
5 Wh

Indoor use

#### Distrito Bandido

RFC: DBA200515RT3  
Callejón del Cristo 2 - 6A  
Col. San José del Puente  
C.P. 72150. Puebla, Puebla

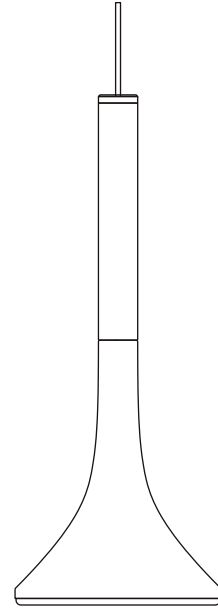
+52 (222) 688 8442

[www.bandidostudio.com](http://www.bandidostudio.com)

# B AURA

## Pendant Lamp

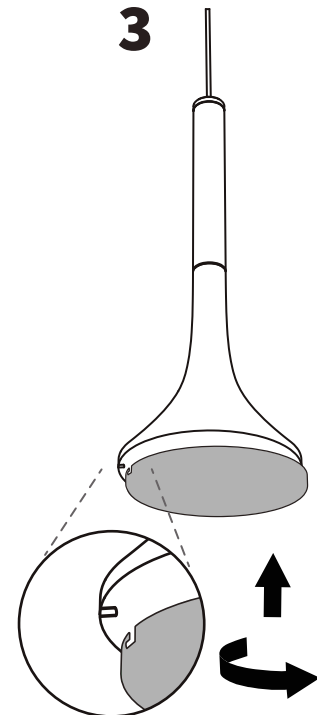
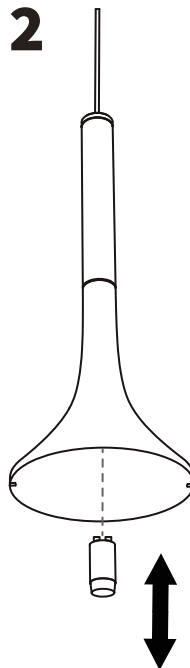
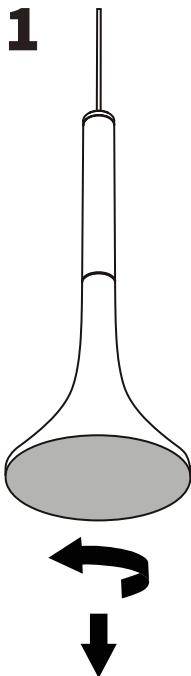
Instructions




# Bandido

## Bulb replacement

Tutorial



 Handle with care, fragile materials.

 Use only LED bulb

# Installation Guide

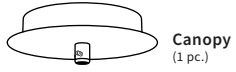
Pendant Lamp



**CAUTION: Turn off the power supply before executing any electrical installation.**

**We suggest that any electrical work should be performed by a qualified electrician.**

## Parts included.



Canopy  
(1 pc.)



Light crossbar  
(1 pc.)

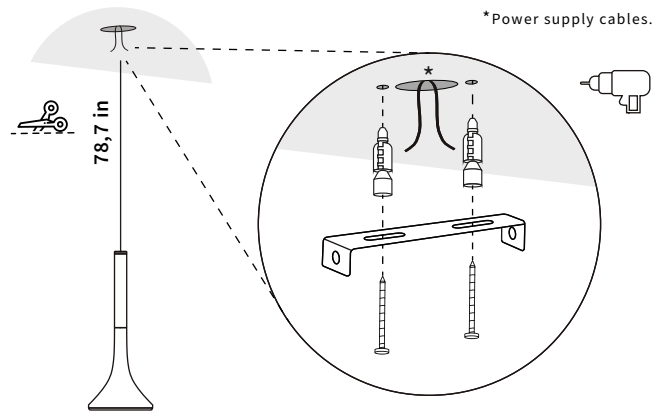


Wall plugs  
(2 pcs.)

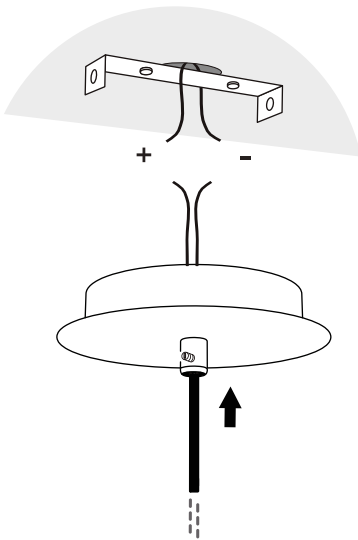


Screws  
(2 pcs.)

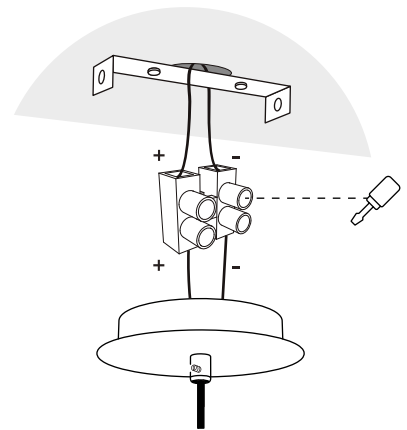
**1** Cut the cable to the desired length. Place the wall plugs and fix the light crossbar to the ceiling.



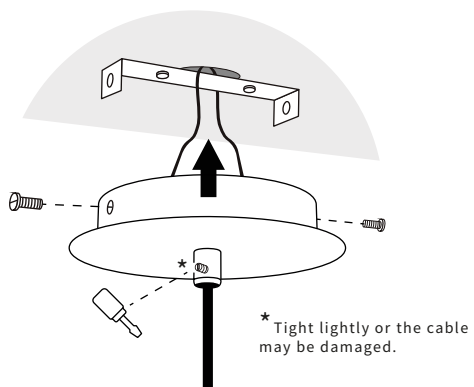
**2** Pass the cable through the canopy.



**3** Connect the wires through the connector.



**4** Canopy fastening.



**Handle with care, fragile materials.**

**Bandido** creates products that generate harmony and warmth in each space where they are present. We hope you enjoy your new product and exceeds all your expectations.

You can get more information about the maintenance of your product and warranty by scanning the following **QR Code**.



#### Light source

1 x E27 LED bulb 8.5 W max.  
120 V - 60 Hz 8.5 W LED 0.07 A.  
Included  
8.5 Wh

Indoor use

#### Distrito Bandido

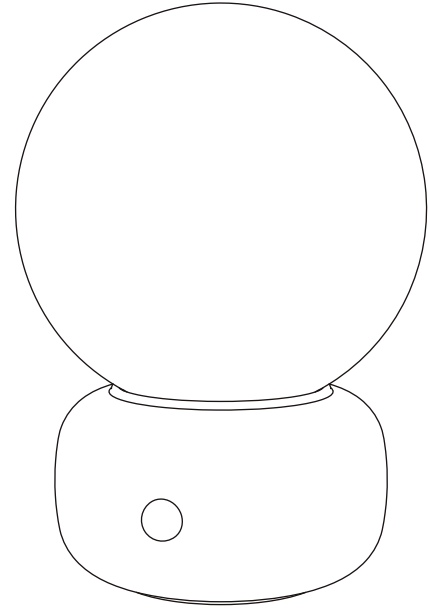
RFC: DBA200515RT3  
Callejón del Cristo 2 - 6A  
Col. San José del Puente  
C.P. 72150. Puebla, Puebla

+52 (222) 688 8442

[www.bandidostudio.com](http://www.bandidostudio.com)

# B NAGA

## Table Lamp Instructions

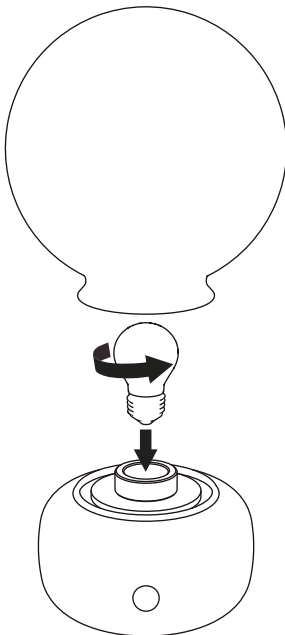


# Bandido

## Bulb replacement

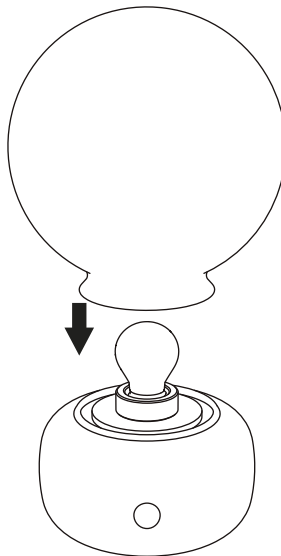
Tutorial

### 1



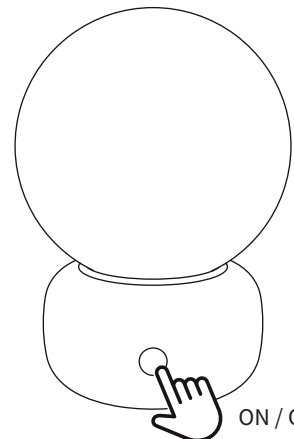
### 2

Press lightly until it touches the marble body.



### 3

After placing the glass diffuser, connect the lamp to the power supply.



Handle with care, fragile materials.



Use only LED bulb



**Bandido** creates products that generate harmony and warmth in each space where they are present. We hope you enjoy your new product and exceeds all your expectations.

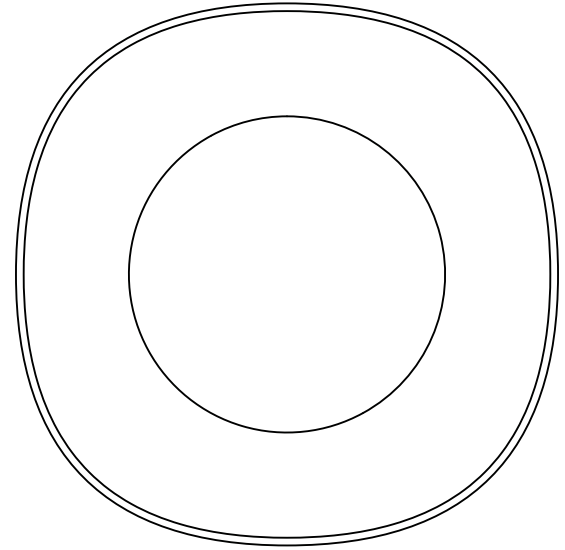
You can get more information about the maintenance of your product and warranty by scanning the following **QR Code**.



# B NAGA

## Wall Sconce

Instructions



### Distrito Bandido

RFC: DBA200515RT3  
Callejón del Cristo 2 - 6A  
Col. San José del Puente  
C.P. 72150. Puebla, Puebla

+52 (222) 688 8442  
[www.bandidostudio.com](http://www.bandidostudio.com)

### Light source

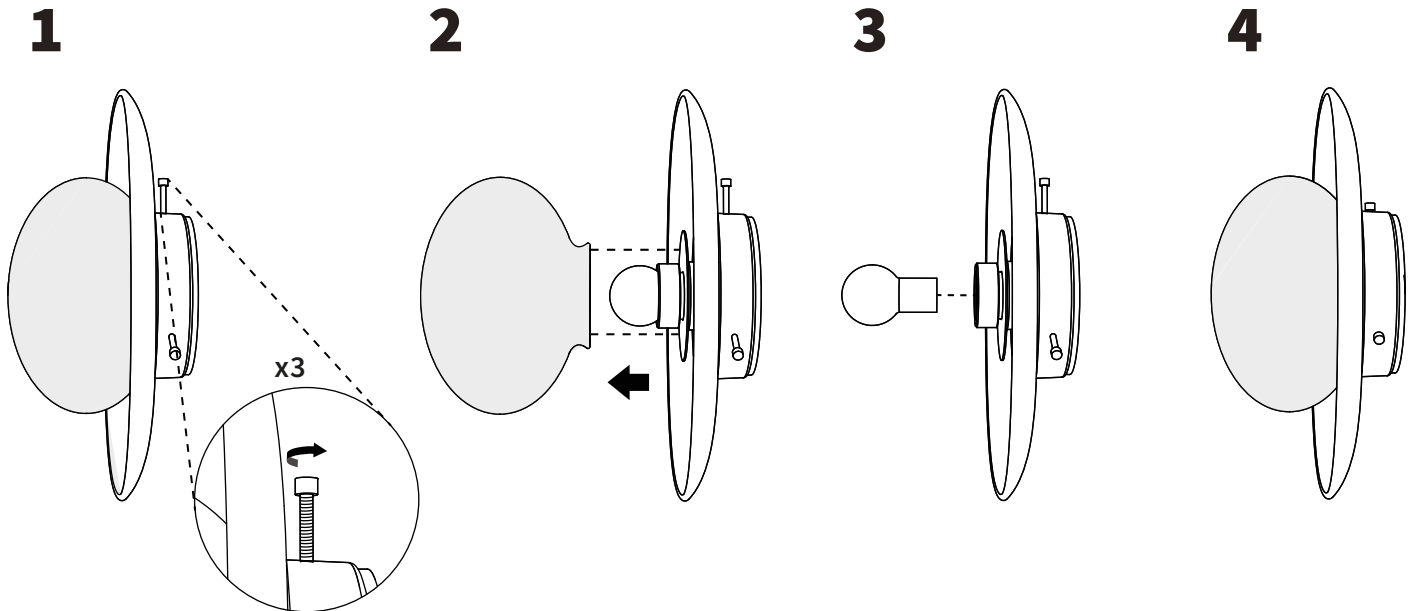
1 x E27 LED bulb 5 W max.  
120 V - 60 Hz 5 W LED 0.04 A  
Included  
4.3 Wh

Indoor use


# Bandido

## Bulb replacement

Tutorial



 Handle with care, fragile materials.

 Use only LED bulb

# Installation Guide

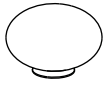
Wall Sconce



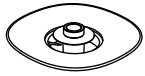
**CAUTION: Turn off the power supply before executing any electrical installation.**

**We suggest that any electrical work should be performed by a qualified electrician.**

## Parts included.



**Glass diffuser**  
(1 pc.)



**Marble body**  
(1 pc.)

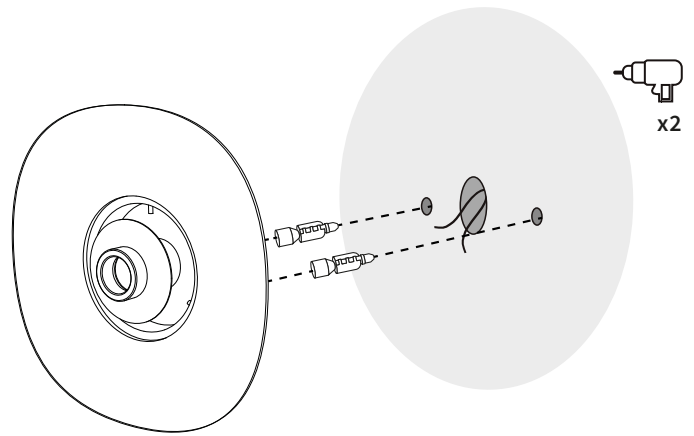


**LED Bulb**  
(1 pc.)

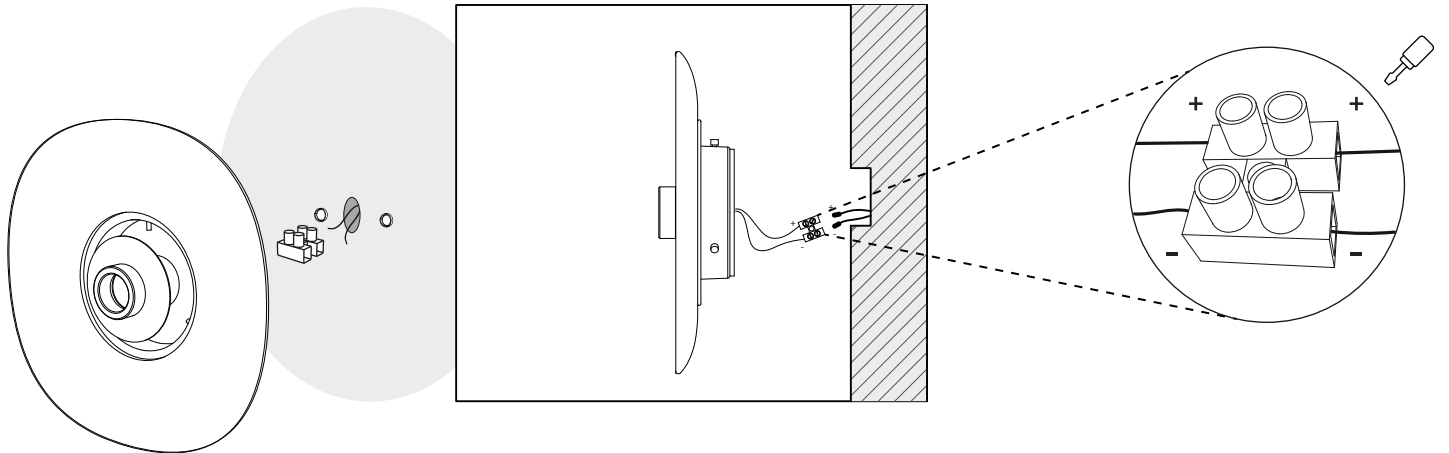


**Screws and wall plugs**  
(2 pcs. of each)

**1** Placement of wall plugs. Before drilling, mark the location of the screws according to the **Marble Body**.

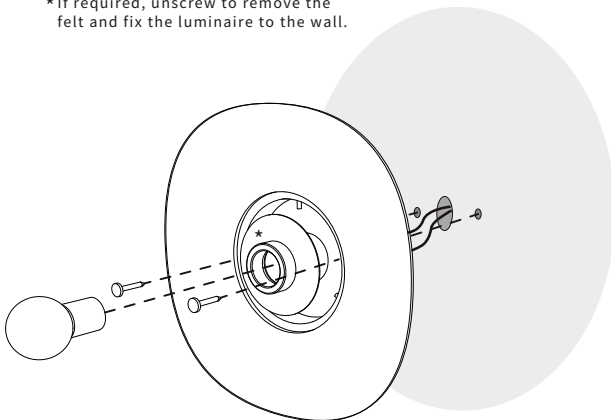


**2** Connect the wires through the connector.

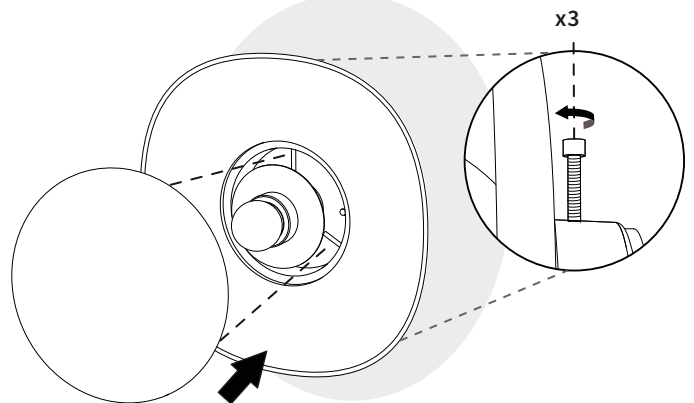


**3** Fix the lamp to the wall and place the LED Bulb.

\*If required, unscrew to remove the felt and fix the luminaire to the wall.



**4** Place the glass diffuser and tighten the screws with your hand.



**Handle with care, fragile materials.**



**TIGHT CAREFULLY, THE GLASS DIFFUSER CAN BREAK EASILY.**

**B**

**Bandido** creates products that generate harmony and warmth in each space where they are present. We hope you enjoy your new product and exceeds all your expectations.

You can get more information about the maintenance of your product and warranty by scanning the following QR Code.



#### Light source

1 x E27 LED bulb 5 W max.  
120 V - 60 Hz 5 W LED 0.04 A  
Included  
4.3 Wh

Indoor use

#### Distrito Bandido

RFC: DBA200515RT3  
Callejón del Cristo 2 - 6A  
Col. San José del Puente  
C.P. 72150. Puebla, Puebla

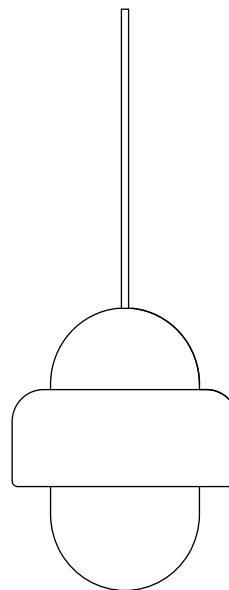
+52 (222) 688 8442  
[www.bandidostudio.com](http://www.bandidostudio.com)

# B

# NAGA

## Pendant Lamp

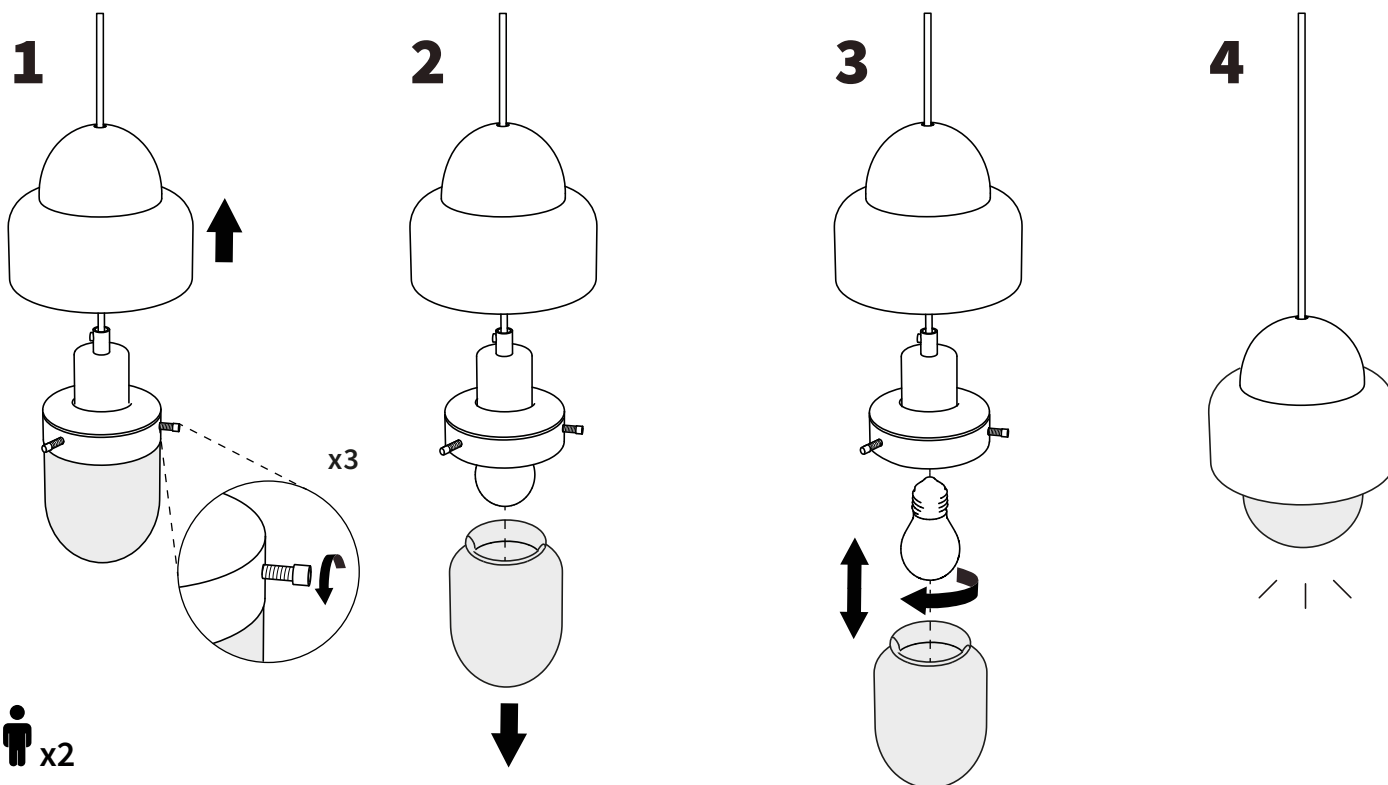
Instructions



# Bandido

## Bulb replacement

Tutorial



Handle with care, fragile materials.



Use only LED bulb

# Installation Guide

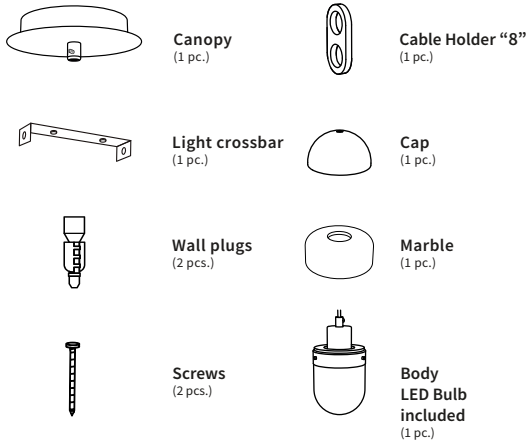
Pendant Lamp



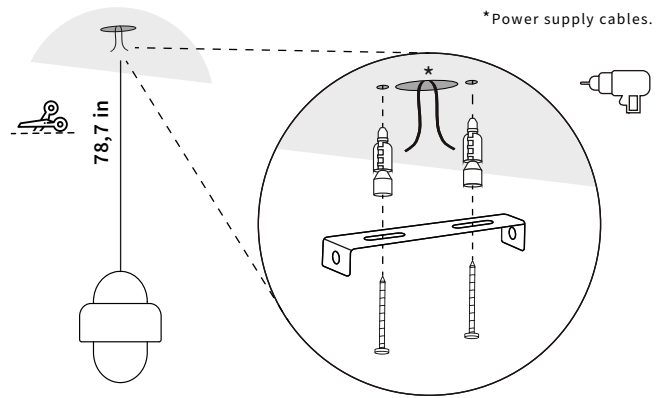
**CAUTION: Turn off the power supply before executing any electrical installation.**

We suggest that any electrical work should be performed by a qualified electrician.

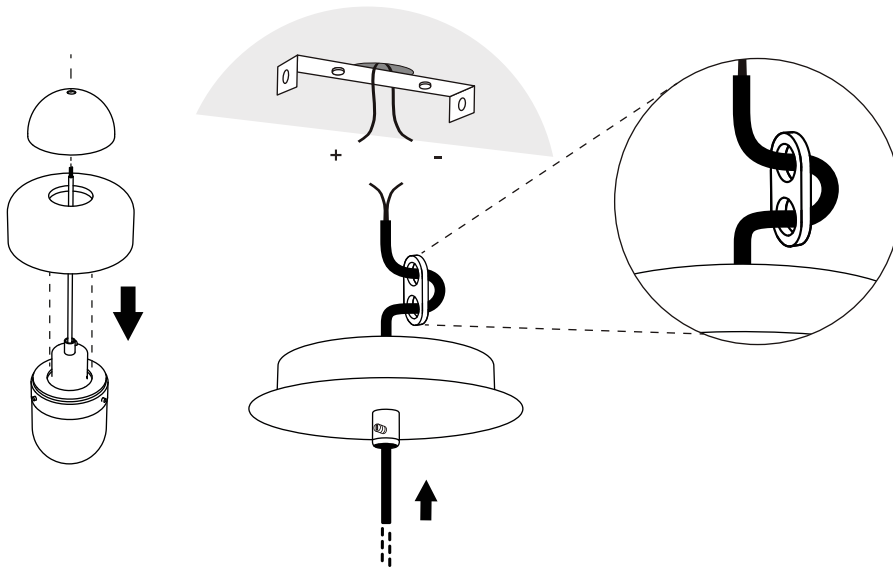
## Parts included.



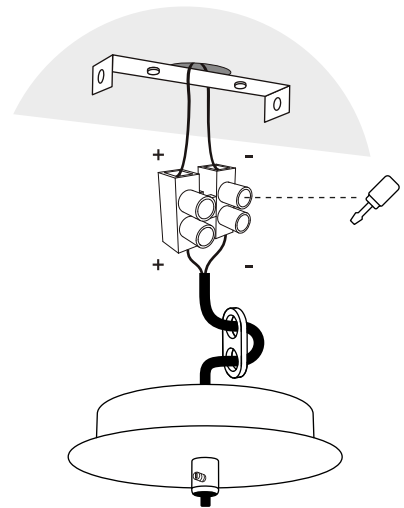
**1** Cut the cable to the desired length. Place the wall plugs and fix the light crossbar to the ceiling.



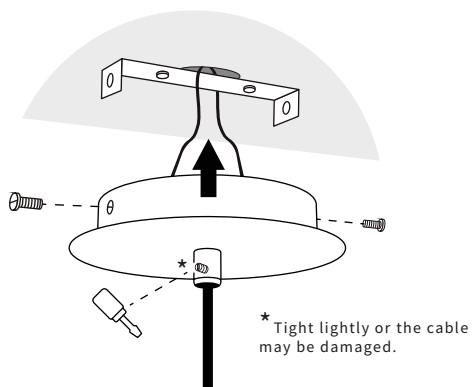
**2** Pass the marble, cap, canopy and cable holder "8" through the cable.




**3** Connect the wires through the connector.



**4** Canopy fastening.



 Handle with care, fragile materials.

**Bandido** creates products that generate harmony and warmth in each space where they are present. We hope you enjoy your new product and exceeds all your expectations.

You can get more information about the maintenance of your product and warranty by scanning the following QR Code.



#### Light Source

3 x LED module 7 W  
120 V ~ 60 Hz 7 W LED 0.05 A  
Included

Indoor use

#### Distrito Bandido

RFC: DBA200515RT3  
Callejón del Cristo 2 - 6A  
Col. San José del Puente  
C.P. 72150. Puebla, Puebla

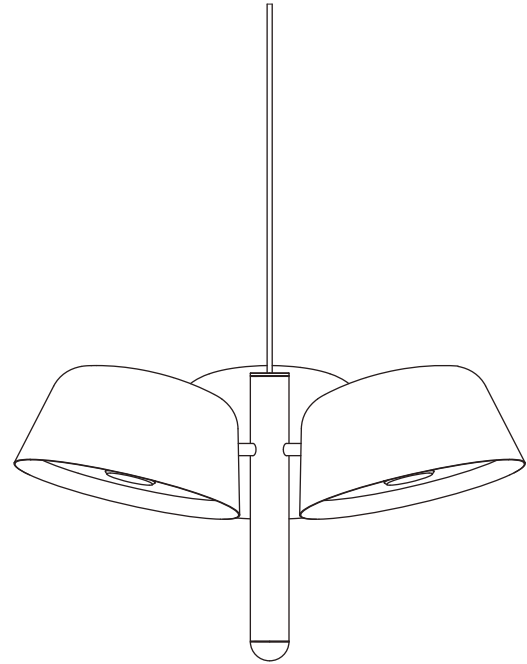
+52 (222) 688 8442  
[www.bandidostudio.com](http://www.bandidostudio.com)

# B

# BUNA

## Pendant Lamp

Instructions



# Bandido

## Indications of use

- 1** Unpack carefully. The materials are brittle and can get damaged easily.
- 2** Follow instructions on back of sheet for installation of this product.

## Spare parts

- To replace the LED module, contact Bandido directly.



Handle with care, fragile materials.



Use only LED bulb

# Installation Guide

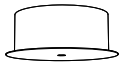
Pendant Lamp



**CAUTION:** Turn off the power supply before executing any electrical installation.

We suggest that any electrical work should be performed by a qualified electrician.

Partes incluidas.



Canopy  
(1 pc.)



Cable Holder  
"8"



Fastener  
(1 pc.)



Plate with hook  
(1 pc.)

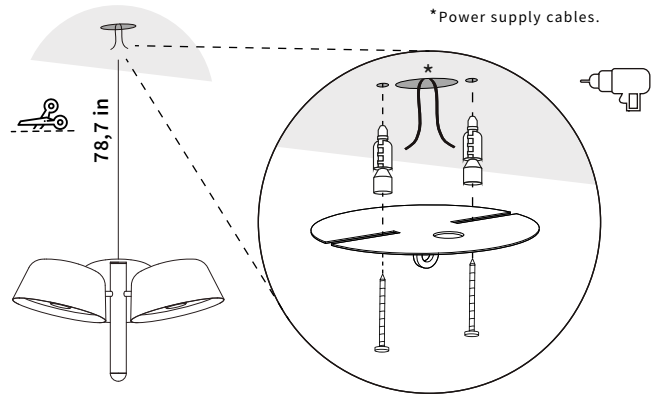


Wall plugs  
(2 pcs.)

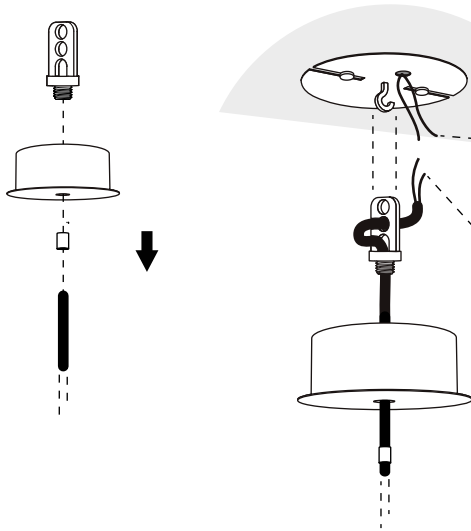


Screws  
(2 pcs.)

**1** Cut the cable to the desired length. Place the wall plugs and fix the plate with the screws to the ceiling.



**2** Pass the fastener, canopy and cable holder "8" through the cable, then hang it on to the hook.

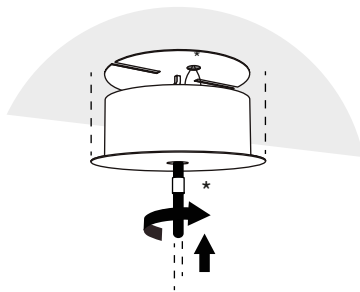


**3** Connect the wires.

The installation should be done by two people.



**4** Canopy fastening.



\*Screw fastener lightly until the canopy is secure.



Handle with care, fragile materials.

B

**Bandido** creates products that generate harmony and warmth in each space where they are present. We hope you enjoy your new product and exceeds all your expectations.

You can get more information about the maintenance of your product and warranty by scanning the following QR Code.



#### Light source

1 x E27 LED bulb 8 W max.  
120 V - 60 Hz 8 W LED 0.06 A.  
Included  
8 Wh

Indoor use

#### Distrito Bandido

RFC: DBA200515RT3  
Callejón del Cristo 2 - 6A  
Col. San José del Puente  
C.P. 72150. Puebla, Puebla

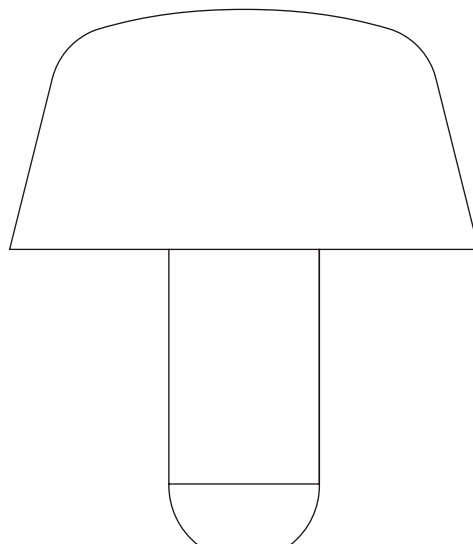
+52 (222) 688 8442

[www.bandidostudio.com](http://www.bandidostudio.com)

# B BUNA

## Table Lamp

Instructions

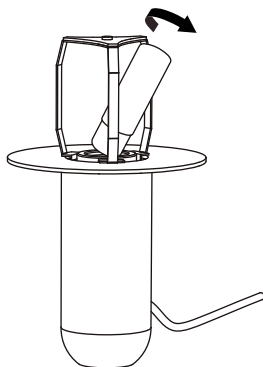


# Bandido

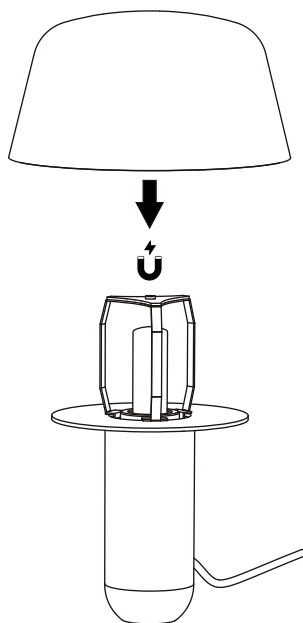
## Bulb replacement

Tutorial

# 1

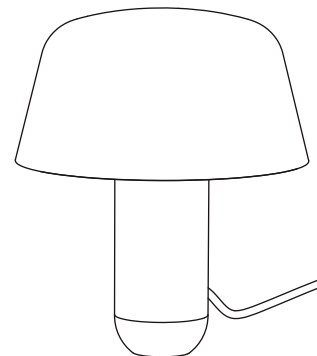


# 2



# 3

After placing the metal lamp shade, connect the lamp to the power supply.



Handle with care, fragile materials.



Use only LED bulb

**Bandido** creates products that generate harmony and warmth in each space where they are present. We hope you enjoy your new product and exceeds all your expectations.

You can get more information about the maintenance of your product and warranty by scanning the following **QR Code**.



#### Light source

1 x G9 LED bulb 6 W max.  
120 V ~ 60 Hz 6 W LED 0.06 A  
Included  
6 Wh

Indoor use

#### Distrito Bandido

RFC: DBA200515RT3  
Callejón del Cristo 2 - 6A  
Col. San José del Puente  
C.P. 72150. Puebla, Puebla

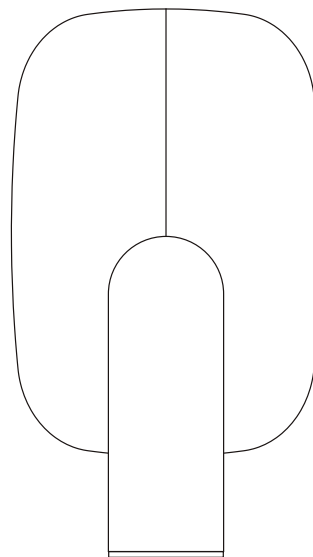
+52 (222) 688 8442  
[www.bandidostudio.com](http://www.bandidostudio.com)

# B

# BO

## Table Lamp

Instructions

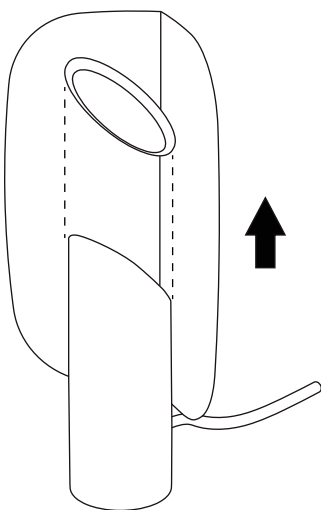


# Bandido

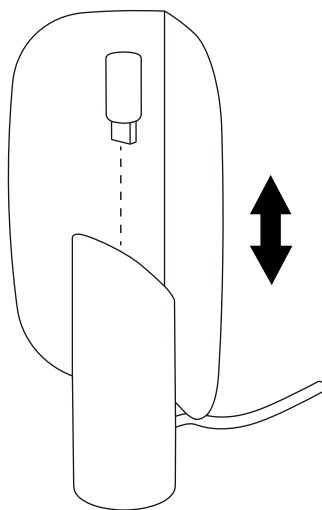
## Bulb replacement

Tutorial

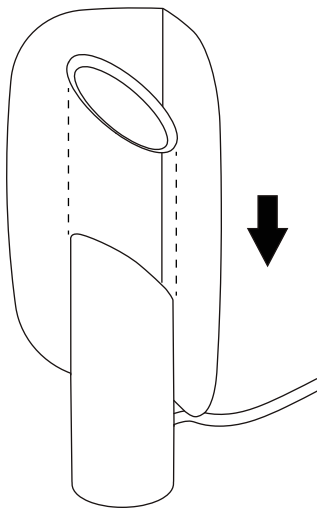
### 1



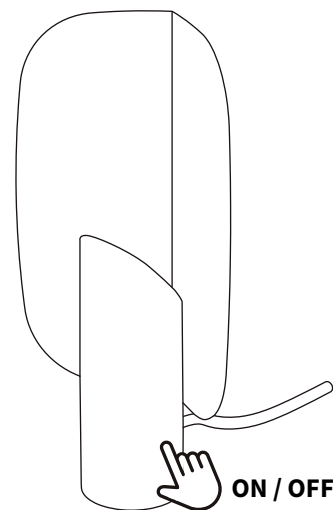
### 2



### 3



### 4



Handle with care, fragile materials.



Use only LED bulb



**Bandido** creates products that generate harmony and warmth in each space where they are present. We hope you enjoy your new product and exceeds all your expectations.

You can get more information about the maintenance of your product and warranty by scanning the following **QR Code**.



**Light source**

1 x E27 LED bulb 4 W max.  
100 - 240 V ~ 60 Hz 4 W LED 0.02 - 0.04 A  
Included  
4 Wh

Indoor use

**Distrito Bandido**

RFC: DBA200515RT3  
Callejón del Cristo 2 - 6A  
Col. San José del Puente  
C.P. 72150. Puebla, Puebla

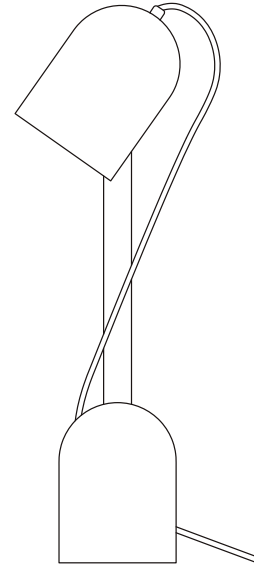
+52 (222) 688 8442

[www.bandidostudio.com](http://www.bandidostudio.com)

# B CTR02

## Table Lamp

Instructions

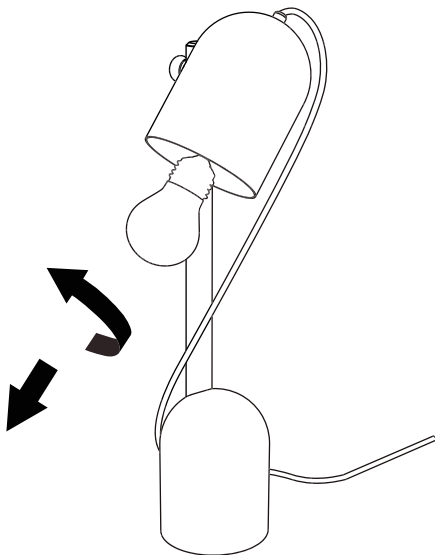


# Bandido

## Bulb replacement

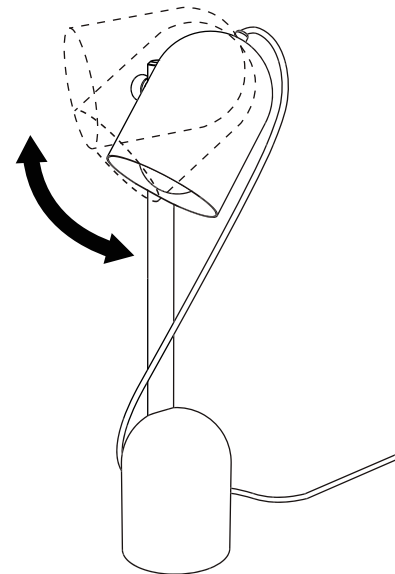
Tutorial

### 1




### 2

Adjust the upper bolt to rotate the metal lamp shade.



 **Handle with care, fragile materials.**

 **Use only LED bulb**

**Bandido** creates products that generate harmony and warmth in each space where they are present. We hope you enjoy your new product and exceeds all your expectations.

You can get more information about the maintenance of your product and warranty by scanning the following QR Code.



#### Light Source

1 x E27 LED bulb 5 W max.  
120 V ~ 60 Hz 5 W LED 0.04 A  
Included  
4.3 Wh

Indoor Use

#### Distrito Bandido

RFC: DBA200515RT3  
Callejón del Cristo 2 - 6A  
Col. San José del Puente  
C.P. 72150. Puebla, Puebla

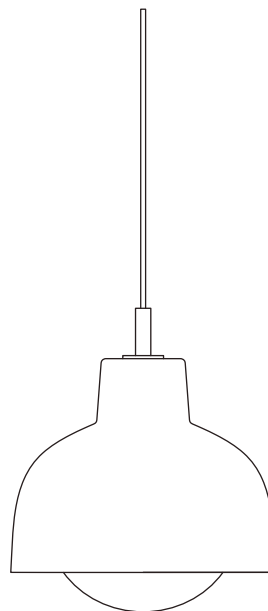
+52 (222) 688 8442  
[www.bandidostudio.com](http://www.bandidostudio.com)

# B

# DBH

## Pendant Lamp

Instructions

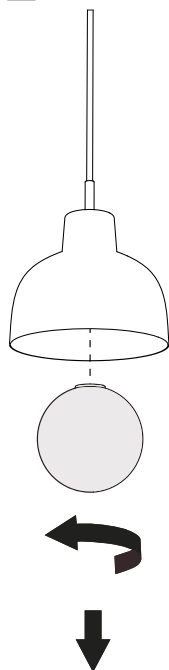


# Bandido

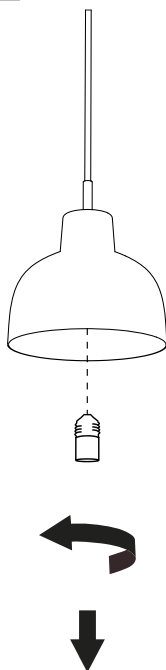
## Bulb replacement

Tutorial

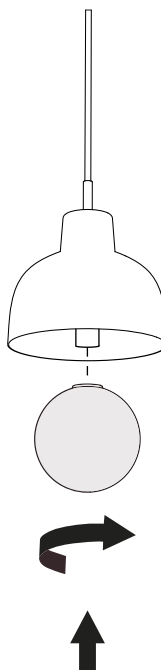
### 1



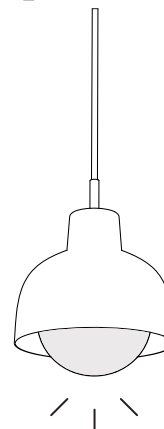
### 2



### 3



### 4



Handle with care, fragile materials.



Use only LED bulb

# Installation Guide

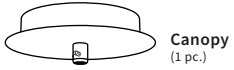
Pendant Lamp



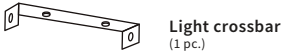
**CAUTION: Turn off the power supply before executing any electrical installation.**

**We suggest that any electrical work should be performed by a qualified electrician.**

## Parts included.



Canopy  
(1 pc.)



Light crossbar  
(1 pc.)

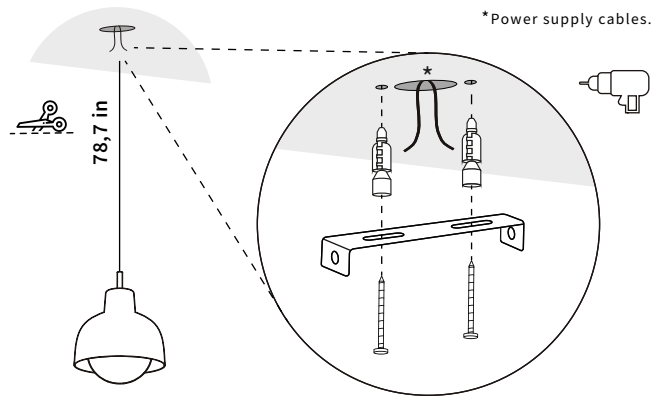


Wall plugs  
(2 pcs.)

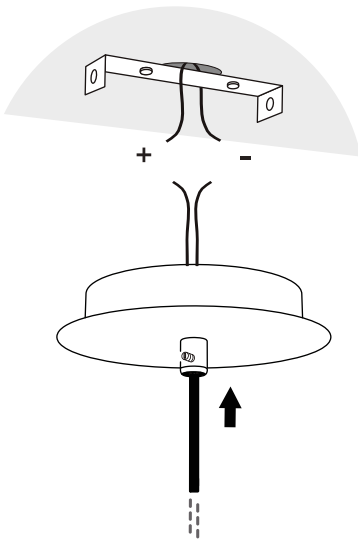


Screws  
(2 pcs.)

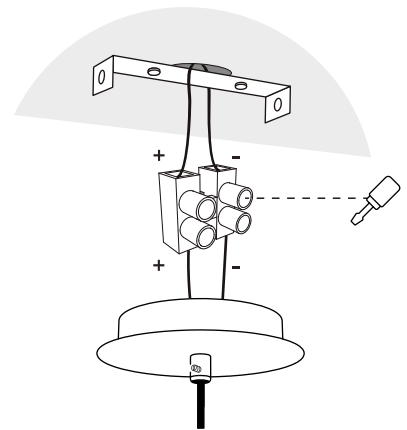
**1** Cut the cable to the desired length. Place the wall plugs and fix the light crossbar to the ceiling.



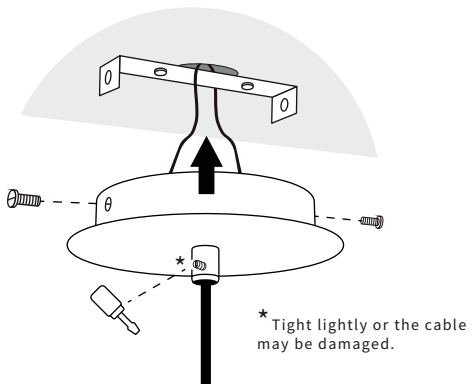
**2** Pass the cable through the canopy.



**3** Connect the wires through the connector.



**4** Canopy fastening.



**Handle with care, fragile materials.**

**Bandido** creates products that generate harmony and warmth in each space where they are present. We hope you enjoy your new product and exceeds all your expectations.

You can get more information about the maintenance of your product and warranty by scanning the following **QR Code**.



**NOTE.** This installation guide only applies to the CTR01 B Black lamp.

#### Light Source

1 x G9 LED bulb 6 W max.  
120 V ~ 60 Hz 6 W LED 0.04 A  
Included  
6 Wh

Indoor use

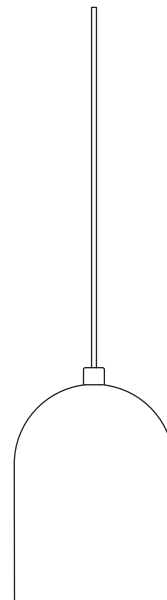
#### Distrito Bandido

RFC: DBA200515RT3  
Callejón del Cristo 2 - 6A  
Col. San José del Puente  
C.P. 72150. Puebla, Puebla

+52 (222) 688 8442  
[www.bandidostudio.com](http://www.bandidostudio.com)

# B CTR01 B

## Pendant Lamp Instructions

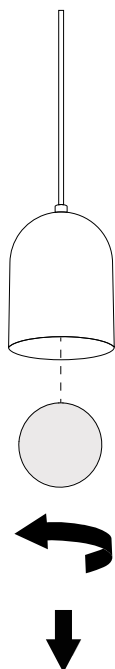


# Bandido

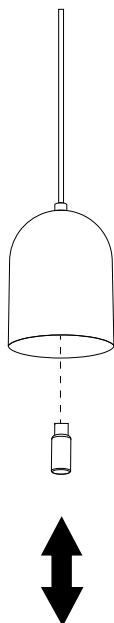
## Bulb replacement

Tutorial

**1**

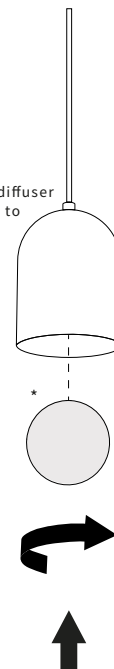


**2**



**3**

\*Align the glass diffuser and screw gently to avoid jamming.



Handle with care, fragile materials.



Use only LED bulb

# Installation Guide

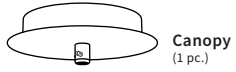
Pendant Lamp



**CAUTION: Turn off the power supply before executing any electrical installation.**

**We suggest that any electrical work should be performed by a qualified electrician.**

## Parts included.



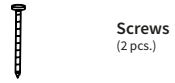
Canopy  
(1 pc.)



Light crossbar  
(1 pc.)

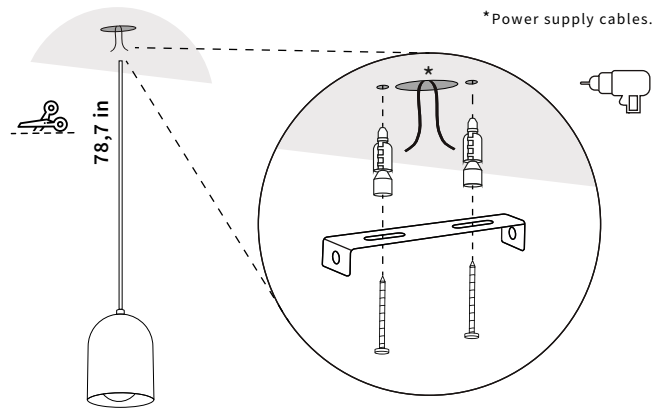


Wall plugs  
(2 pcs.)

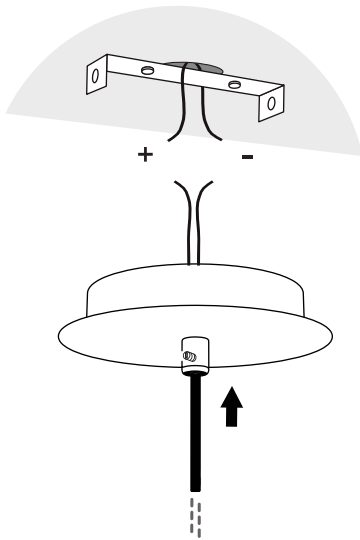


Screws  
(2 pcs.)

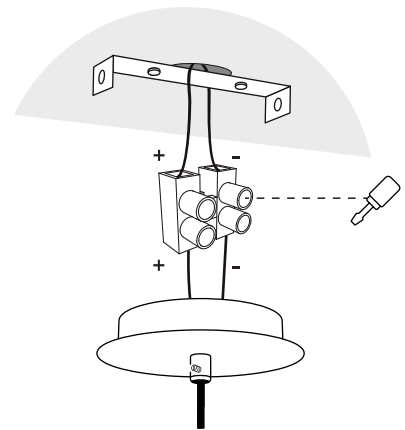
**1** Cut the cable to the desired length. Place the wall plugs and fix the light crossbar to the ceiling.



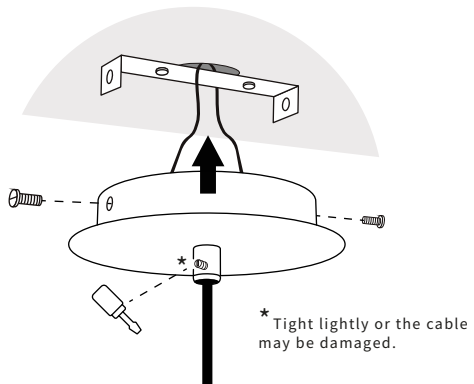
**2** Pass the cable through the canopy.




**3** Connect the wires through the connector.



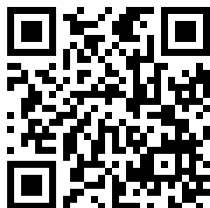
**4** Canopy fastening.



 **Handle with care, fragile materials.**

**Bandido** creates products that generate harmony and warmth in each space where they are present. We hope you enjoy your new product and exceeds all your expectations.

You can get more information about the maintenance of your product and warranty by scanning the following **QR Code**.



**NOTE.** This installation guide only applies to the CTR01 B Black Chrome & CTR01 B Brushed Copper.

#### Light Source

1 x E27 LED bulb 8.8 W max.  
120 V ~ 60 Hz 8.8 W LED 0.07 A  
Included  
8.8 Wh

Indoor use

#### Distrito Bandido

RFC: DBA200515RT3  
Callejón del Cristo 2 - 6A  
Col. San José del Puente  
C.P. 72150. Puebla, Puebla

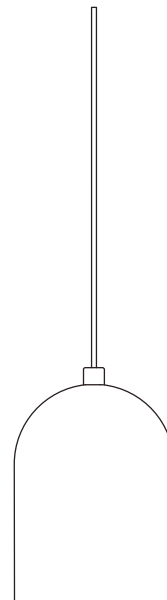
+52 (222) 688 8442  
[www.bandidostudio.com](http://www.bandidostudio.com)

# B

# CTR01 B

## Pendant Lamp

Instructions

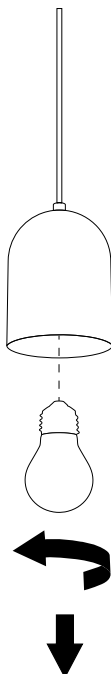


# Bandido

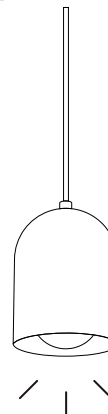
## Bulb replacement

Tutorial

### 1



### 2



Handle with care, fragile materials.



Use only LED bulb

# Installation Guide

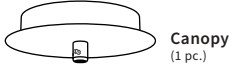
Pendant Lamp



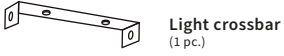
**CAUTION: Turn off the power supply before executing any electrical installation.**

**We suggest that any electrical work should be performed by a qualified electrician.**

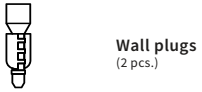
## Parts included.



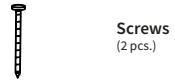
Canopy  
(1 pc.)



Light crossbar  
(1 pc.)

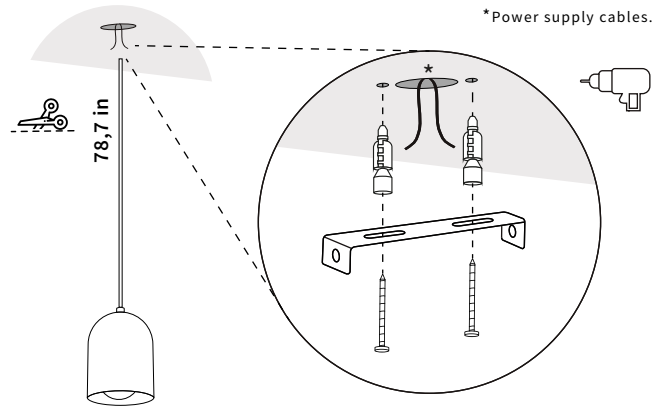


Wall plugs  
(2 pcs.)

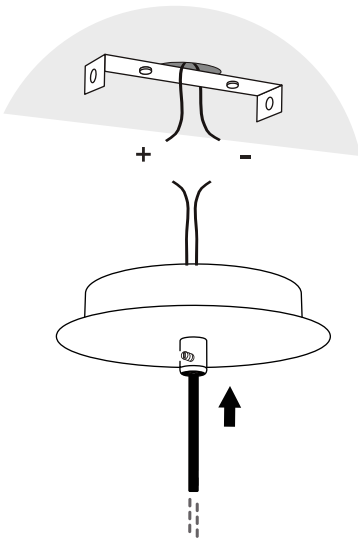


Screws  
(2 pcs.)

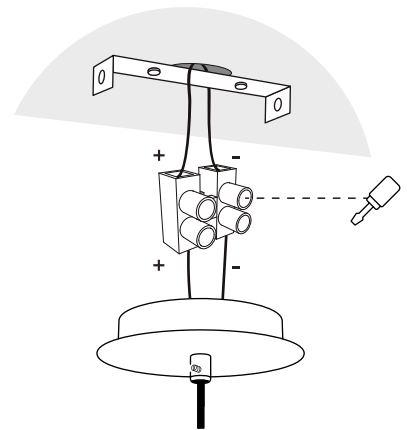
**1** Cut the cable to the desired length. Place the wall plugs and fix the light crossbar to the ceiling.



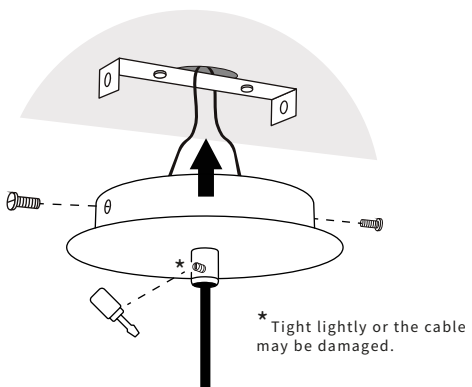
**2** Pass the cable through the canopy.



**3** Connect the wires through the connector.



**4** Canopy fastening.



**Handle with care, fragile materials.**

**Bandido** creates products that generate harmony and warmth in each space where they are present. We hope you enjoy your new product and exceeds all your expectations.

You can get more information about the maintenance of your product and warranty by scanning the following **QR Code**.



#### Light Source

1 x E27 LED bulb 4.5 W max.  
120 V - 60 Hz 4.5 W LED 0.06 A.  
Included  
4.5 Wh

Indoor use

#### Distrito Bandido

RFC: DBA200515RT3  
Callejón del Cristo 2 - 6A  
Col. San José del Puente  
C.P. 72150. Puebla, Puebla

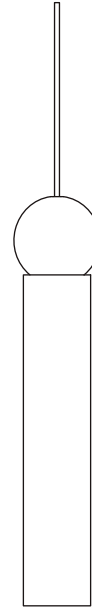
+52 (222) 688 8442  
[www.bandidostudio.com](http://www.bandidostudio.com)

# B

# PERLA

## Pendant Lamp

Instructions

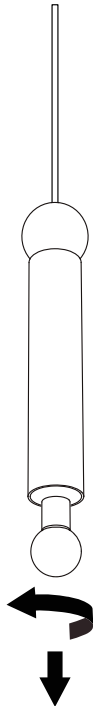


# Bandido

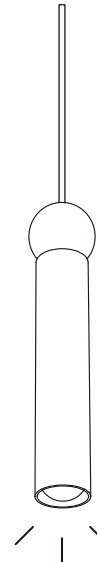
## Bulb replacement

Tutorial

# 1



# 2



Handle with care, fragile materials.



Use only LED bulb



# Installation Guide

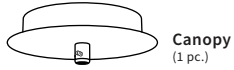
Pendant Lamp



**CAUTION: Turn off the power supply before executing any electrical installation.**

**We suggest that any electrical work should be performed by a qualified electrician.**

## Parts included.



Canopy  
(1 pc.)



Light crossbar  
(1 pc.)

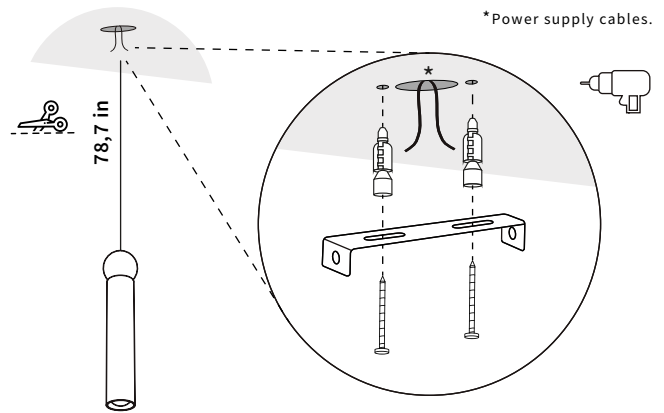


Wall plugs  
(2 pcs.)

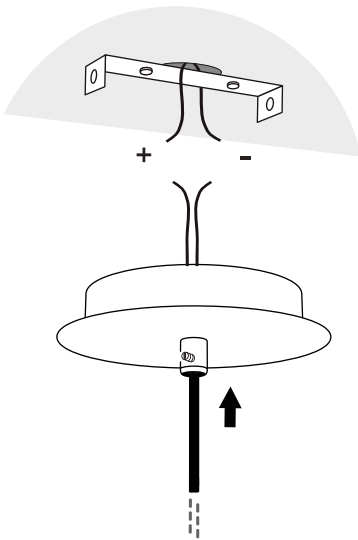


Screws  
(2 pcs.)

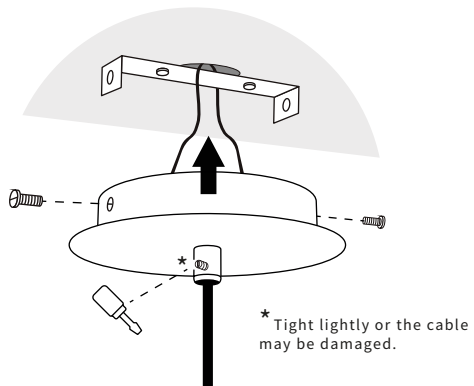
**1** Cut the cable to the desired length. Place the wall plugs and fix the light crossbar to the ceiling.



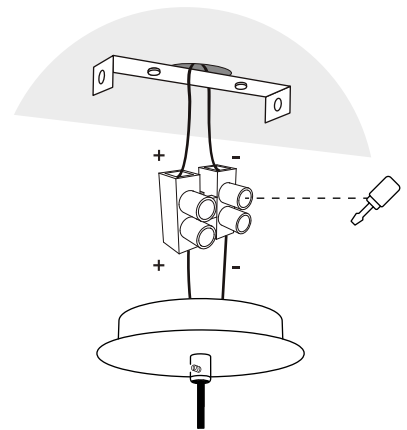
**2** Pass the cable through the canopy.




**4** Canopy fastening.



**3** Connect the wires through the connector.



 **Handle with care, fragile materials.**

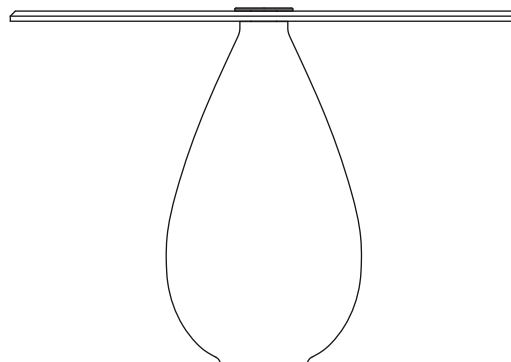
**Bandido** creates products that generate harmony and warmth in each space where they are present. We hope you enjoy your new product and exceeds all your expectations.

You can get more information about the maintenance of your product and warranty by scanning the following QR Code.



# B MURA

Furniture  
Instructions



## Distrito Bandido

RFC: DBA200515RT3  
Callejón del Cristo 2 - 6A  
Col. San José del Puente  
C.P. 72150. Puebla, Puebla

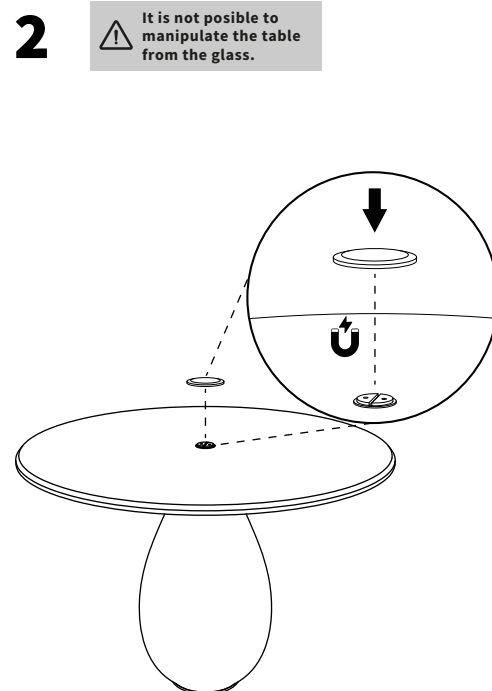
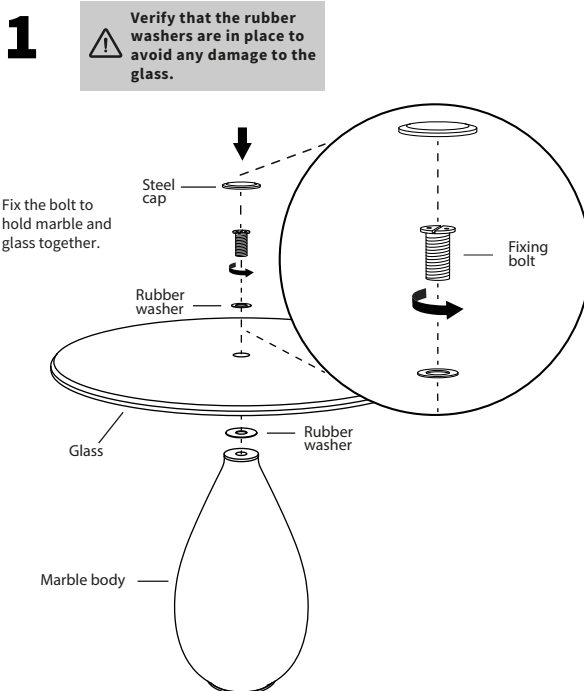
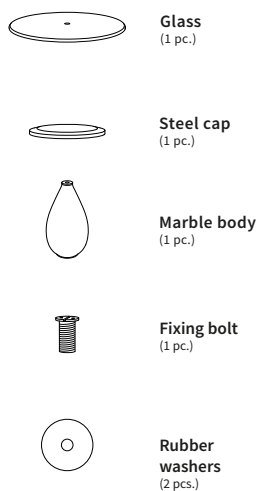
+52 (222) 688 8442  
[www.bandidostudio.com](http://www.bandidostudio.com)

# Bandido

## Installation Guide

Furniture

### Parts included per table.



Handle with care, fragile materials.

**Bandido** creates products that generate harmony and warmth in each space where they are present. We hope you enjoy your new product and exceeds all your expectations.

You can get more information about the maintenance of your product and warranty by scanning the following **QR Code**.

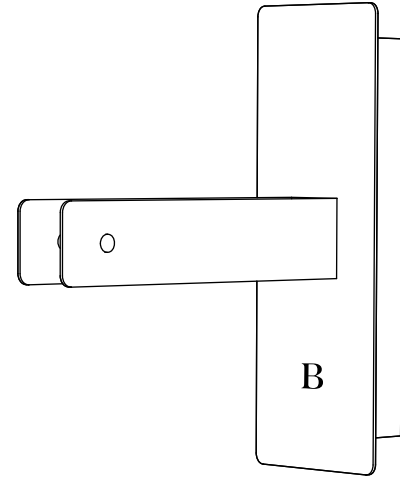


# B

# L Bracket

## Accessories

Instructions



### Distrito Bandido

RFC: DBA200515RT3  
Callejón del Cristo 2 - 6A  
Col. San José del Puente  
C.P. 72150. Puebla, Puebla

+52 (222) 688 8442  
[www.bandidostudio.com](http://www.bandidostudio.com)

# Bandido

# Installation Guide

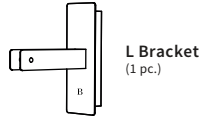
L Bracket



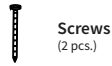
**CAUTION: Turn off the power supply before executing any electrical installation.**

**We suggest that any electrical work should be performed by a qualified electrician.**

Parts included.



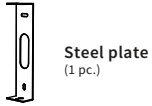
L Bracket  
(1 pc.)



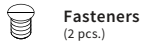
Screws  
(2 pcs.)



Connector  
(1 pc.)



Steel plate  
(1 pc.)



Fasteners  
(2 pcs.)

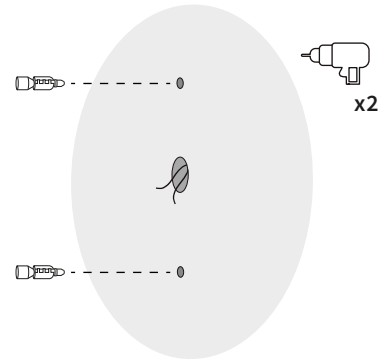


Wall plugs  
(2 pcs.)

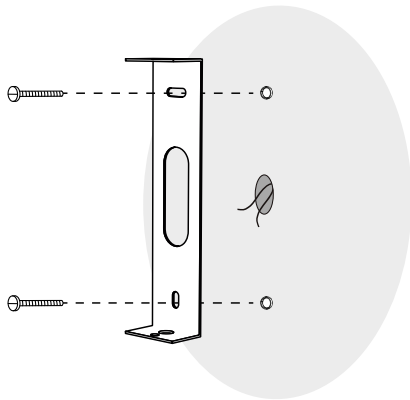


Cable Holder "8"  
(1 pc.)

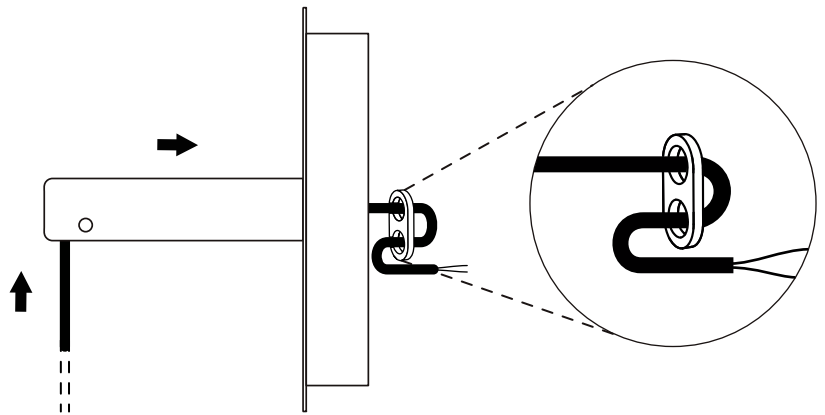
**1** Placement of wall plugs. Before drilling, mark the location of the screws according to the steel plate.



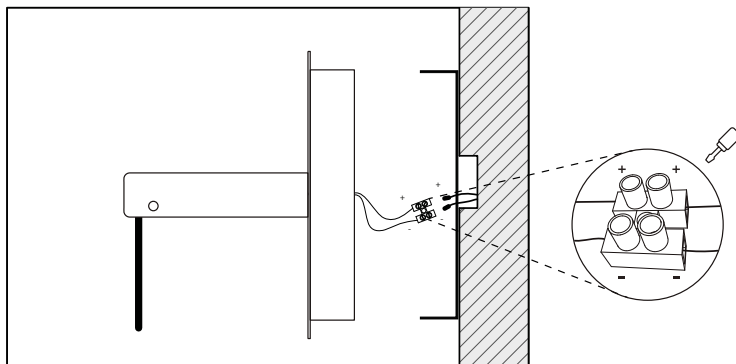
**2** Steel plate fastening



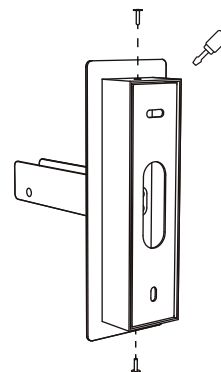
**3** Pass the cable of the Lamp through the L Bracket and Cable Holder "8".



**4** Connect the wires through the connector.



**5** L Bracket fastening.



**Handle with care, fragile materials.**

**B**

# Installation Guide

Circular Canopy

We suggest that any electrical work should be performed by a qualified electrician.



**CAUTION:** Turn off the power supply before executing any electrical installation.



This instruction manual applies to the following measures of the circular canopy: **ø2,95 in.**

## Parts included:



**Canopy**  
(1 pc.)



**Fasteners**  
(2 pcs.)



**Steel Plate**  
(1 pc.)

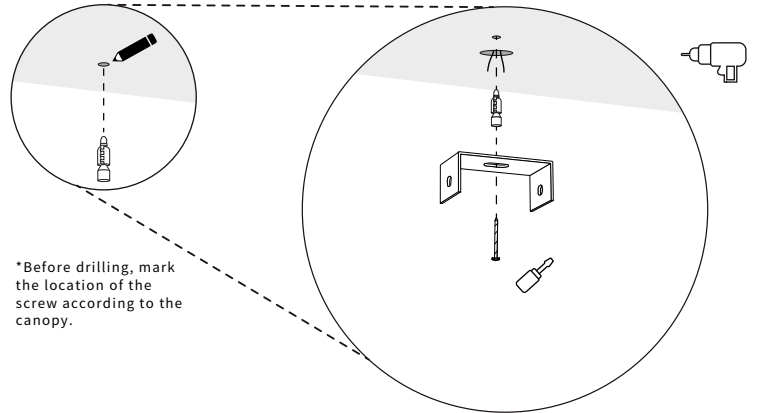


**Wall plug**  
(1 pc.)



**Screw**  
(1 pc.)

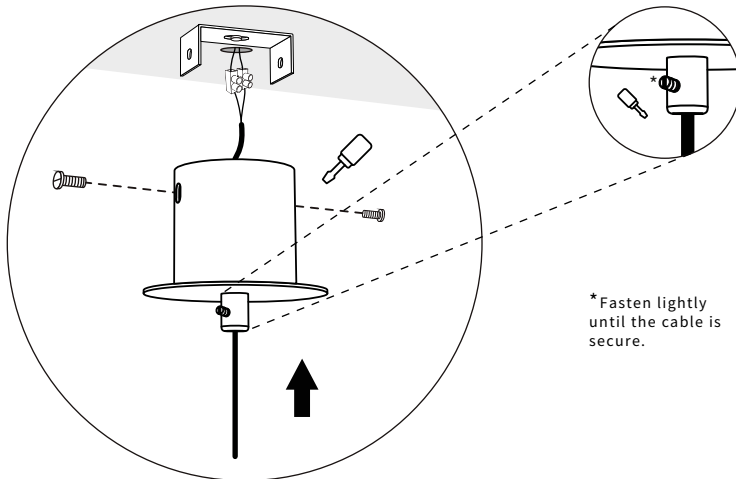
## 1 Wall plugs placement. (Reference Canopy Measure: ø 2,95 in.)



\*Before drilling, mark the location of the screw according to the canopy.

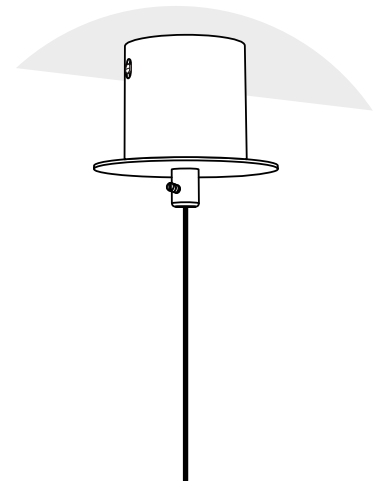
## 2 Canopy fastening.

\*Fix the canopy, once the electrical installation has been completed.



\*Fasten lightly until the cable is secure.

## 3 Final.



**Handle with care, fragile materials.**

# Installation Guide

Circular Canopy

We suggest that any electrical work should be performed by a qualified electrician.



**CAUTION: Turn off the power supply before executing any electrical installation.**



This instruction manual applies to the following measures of the circular canopy:  
7,8 in / 17,7 in / 23,6 in / 31,4 in.

## Parts included.

- The amount of materials depends on the dimensions of the canopy to be installed.
- Wall plugs are specific for concrete slab.



Canopy  
(1 pc.)



Cable Holder with screw  
(According to the canopy)

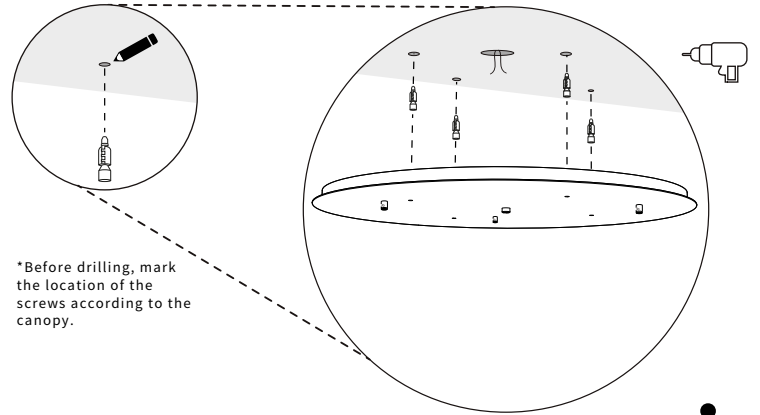


Wall plugs  
(According to the canopy)



Screws  
(According to the canopy)

## 1 Wall plugs placement. (Reference Canopy Measure: Ø 23,6 in).



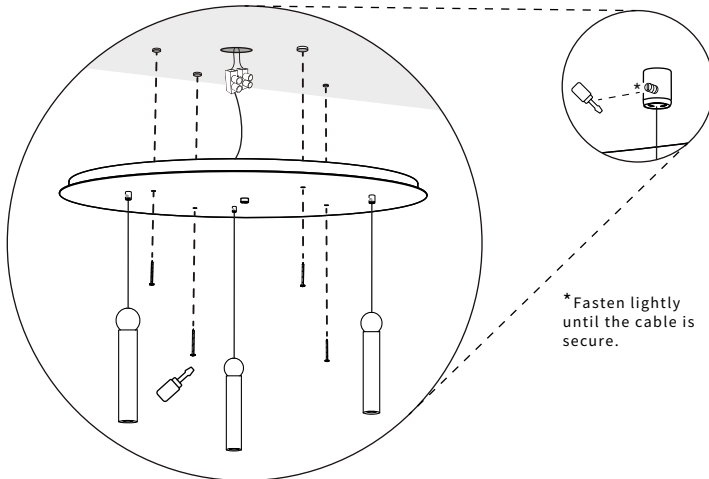
\*Before drilling, mark the location of the screws according to the canopy.

The canopy installation should be done by two people.



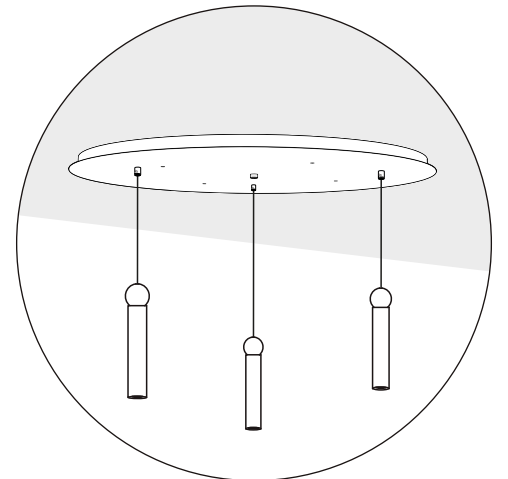
## 2 Canopy fastening.

\*Fix the canopy, once the electrical installation has been completed.



\*Fasten lightly until the cable is secure.

## 3 Final.



Handle with care, fragile materials.

B

# Installation Guide

## Rectangular Canopy

We suggest that any electrical work should be performed by a qualified electrician.



**CAUTION: Turn off the power supply before executing any electrical installation.**



This instruction manual applies to the following measures of the rectangular canopy: 19,6 in / 31,4 in / 23,6 in / 39,3 in / 49,2 in / 59 in.

### Parts included.

- The amount of materials depends on the dimensions of the canopy to be installed.
- Wall plugs are specific for concrete slab.



Canopy  
(1 pc.)



Cable Holder with screw  
(According to the canopy)

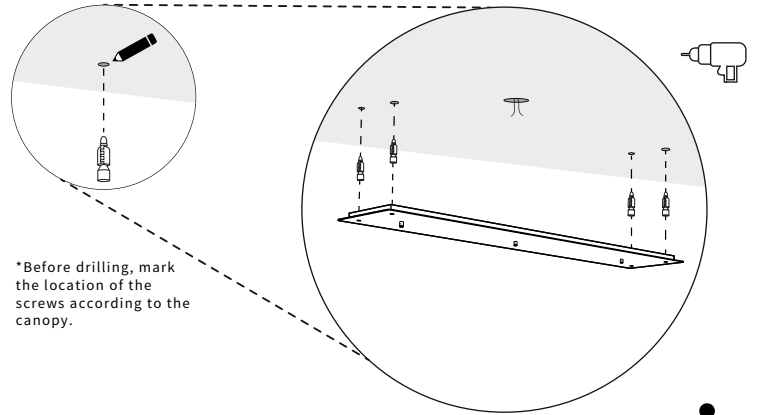


Wall plugs  
(According to the canopy)



Screws  
(According to the canopy)

## 1 Wall plugs placement. (Reference Canopy Measure: 31,4 in x 5,9 in).



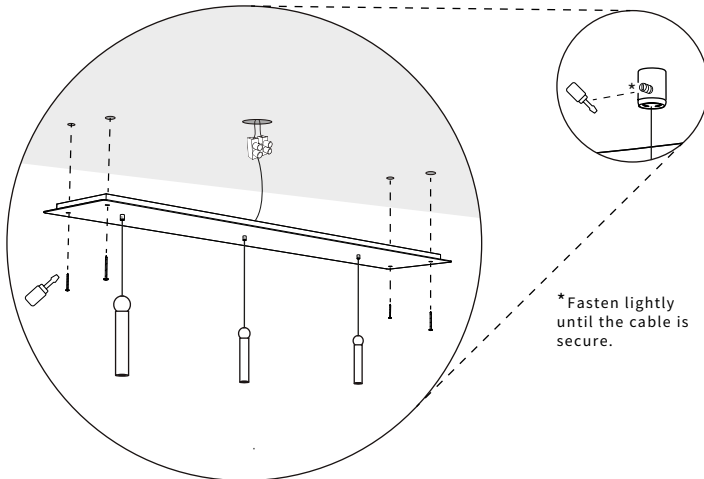
\*Before drilling, mark the location of the screws according to the canopy.

The canopy installation should be done by two people.



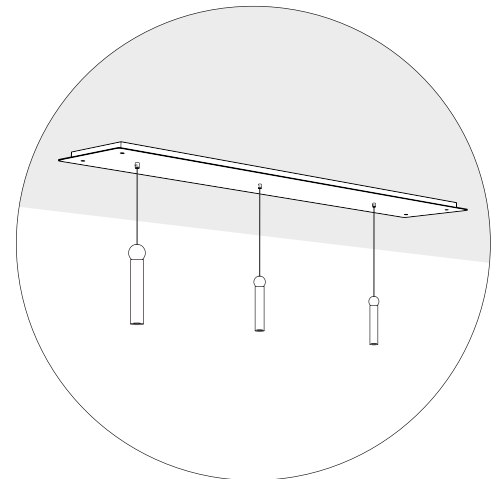
## 2 Canopy fastening.

\*Fix the canopy, once the electrical installation has been completed.



\*Fasten lightly until the cable is secure.

## 3 Final.



Handle with care, fragile materials.

# Installation Guide

Circular Canopy Ø 47,2 in

We suggest that any electrical work should be performed by a qualified electrician.



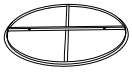
**CAUTION: Turn off the power supply before executing any electrical installation.**



**This instruction manual applies to the following measures of the circular canopy: Ø 47,2 in.**

## Parts included.

Wall plugs are specific for concrete slab.



**Canopy**  
(1 pc.)



**Cable Holder with screw**  
(According to the canopy)

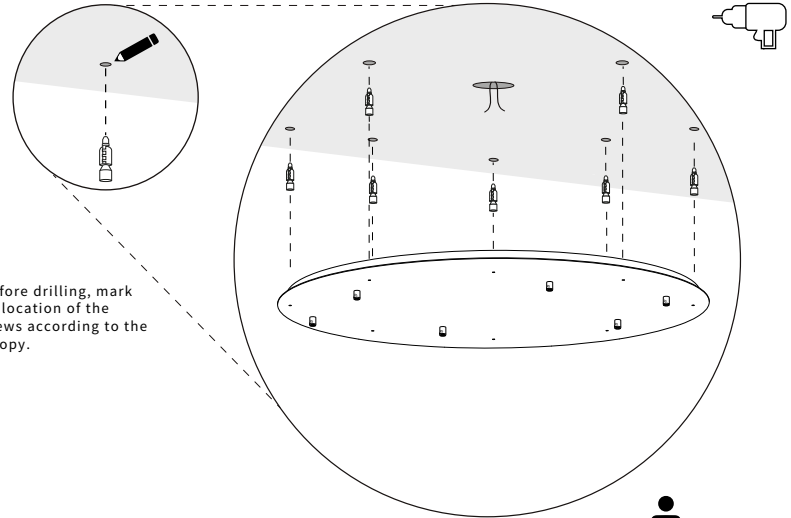


**Wall plugs**  
(8 pcs.)




**Screws**  
(8 pcs.)

## 1 Wall plugs placement. (Reference Canopy Measure: Ø 47,2 in).

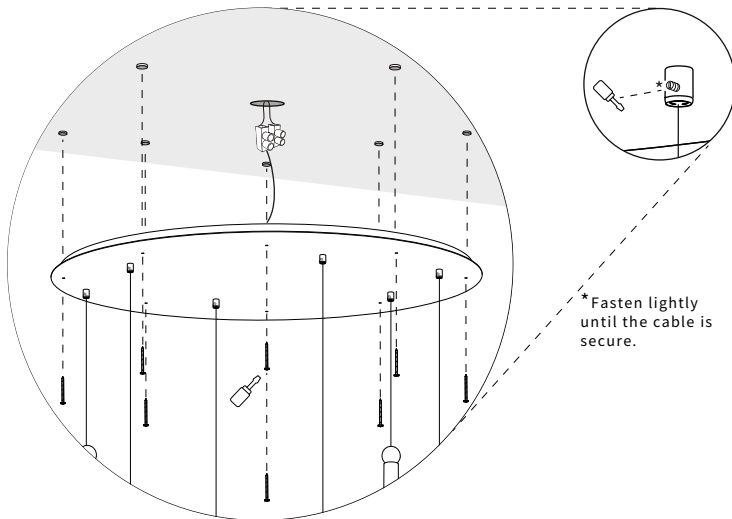


\*Before drilling, mark the location of the screws according to the canopy.

The canopy installation should be done by four people.  x4

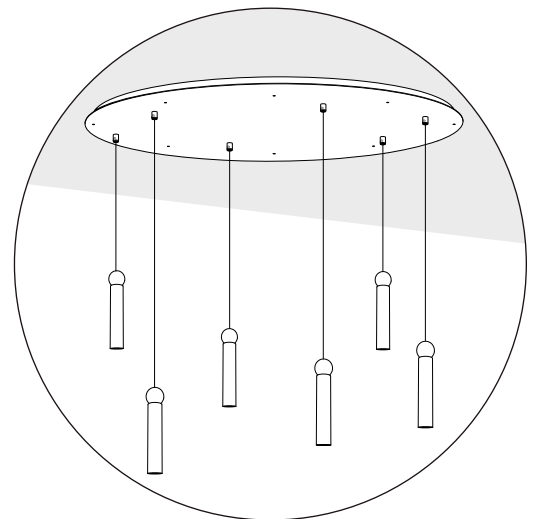
## 2 Canopy fastening.

\*Fix the canopy, once the electrical installation has been completed.



\*Fasten lightly until the cable is secure.

## 3 Final.



**Handle with care, fragile materials.**

**B**



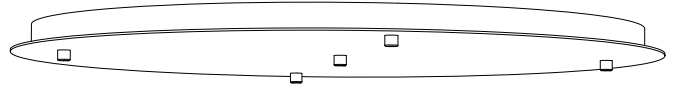
**Bandido** creates products that generate harmony and warmth in each space where they are present. We hope you enjoy your new product and exceeds all your expectations.

You can get more information about the maintenance of your product and warranty by scanning the following **QR Code**.



# B CANOPY

## Accessories



### **Distrito Bandido**

RFC: DBA200515RT3  
Callejón del Cristo 2 - 6A  
Col. San José del Puente  
C.P. 72150. Puebla, Puebla

+52 (222) 688 8442  
[www.bandidostudio.com](http://www.bandidostudio.com)

# Bandido

# Installation Guide

Circular Canopy

**We suggest that any electrical work should be performed by a qualified electrician.**



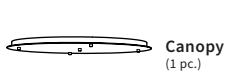
**CAUTION: Turn off the power supply before executing any electrical installation.**



**This instruction manual applies to the following measures of the circular canopy: 17,7 in / 23,6 in / 31,4 in.**

## Parts included.

- The amount of materials depends on the dimensions of the canopy to be installed.
- Wall plugs are specific for concrete slab.



**Canopy**  
(1 pc.)



**Wall Plugs**  
(According to the canopy)



**Cross-piece**  
(1 pc.)

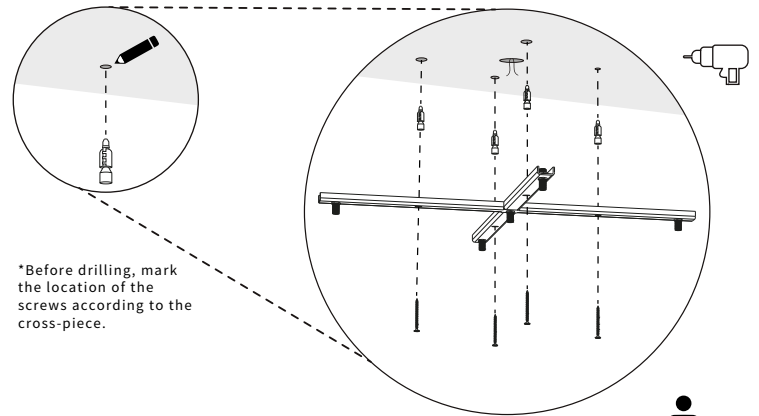


**Covers**  
(According to the canopy)




**Screws**  
(According to the canopy)

## 1 Place the wall plugs and fix cross-piece to the ceiling. Complete electrical installation. (Reference Canopy Measure: Ø 23,6 in).

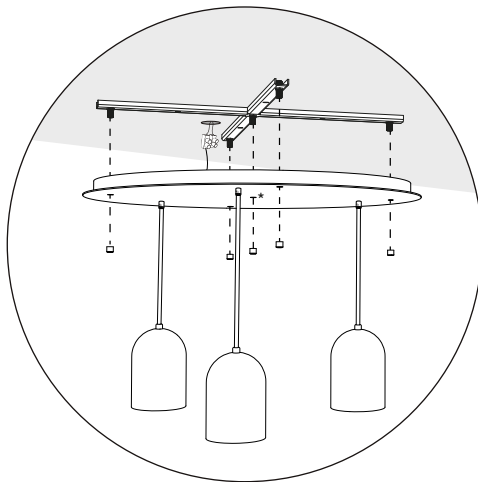


\*Before drilling, mark the location of the screws according to the cross-piece.

The canopy installation should be done by two people.  x2

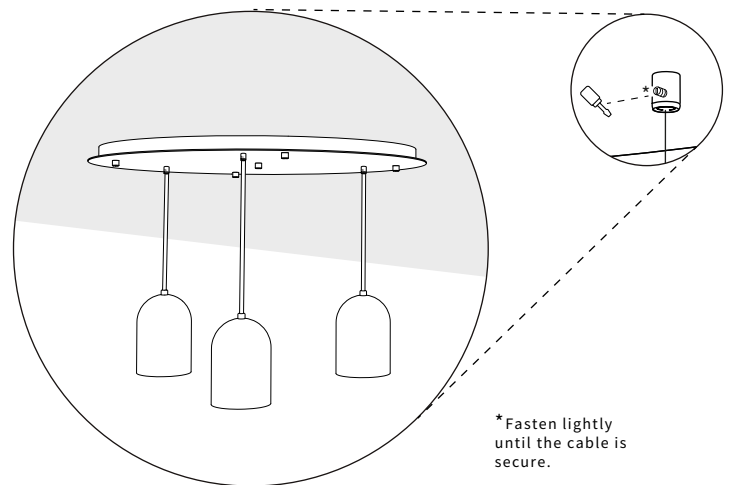
## 2 Fasten the canopy to the cross-piece.

\*Secure the canopy by adjusting the central cover.



\*Adjust and level the canopy according to ceiling's surface by adjusting the covers.

## 3 Adjust cable holders.



\*Fasten lightly until the cable is secure.



**Handle with care, fragile materials.**

**B**

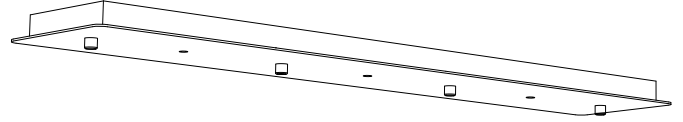
**Bandido** creates products that generate harmony and warmth in each space where they are present. We hope you enjoy your new product and exceeds all your expectations.

You can get more information about the maintenance of your product and warranty by scanning the following **QR Code**.



# B CANOPY

## Accessories



### **Distrito Bandido**

RFC: DBA200515RT3  
Callejón del Cristo 2 - 6A  
Col. San José del Puente  
C.P. 72150. Puebla, Puebla

+52 (222) 688 8442  
[www.bandidostudio.com](http://www.bandidostudio.com)

# Bandido

# Installation Guide

## Rectangular Canopy

We suggest that any electrical work should be performed by a qualified electrician.



**CAUTION:** Turn off the power supply before executing any electrical installation.



This instruction manual applies to the following measures of the rectangular canopy: 19,6 in / 31,4 in / 39,3 in / 49,2 in / 59 in.

### Parts included.

- The amount of materials depends on the dimensions of the canopy to be installed.
- Wall plugs are specific for concrete slab.



Canopy  
(1 pc.)



Wall Plugs  
(According to the canopy)



Mounting Bar  
(1 pc.)

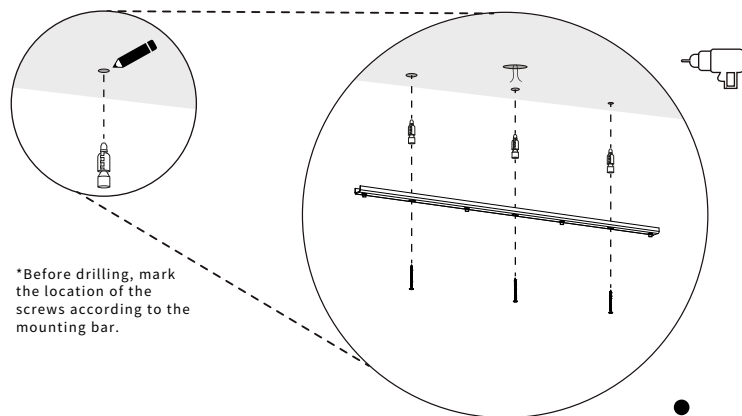


Covers  
(According to the canopy)



Screws  
(According to the canopy)

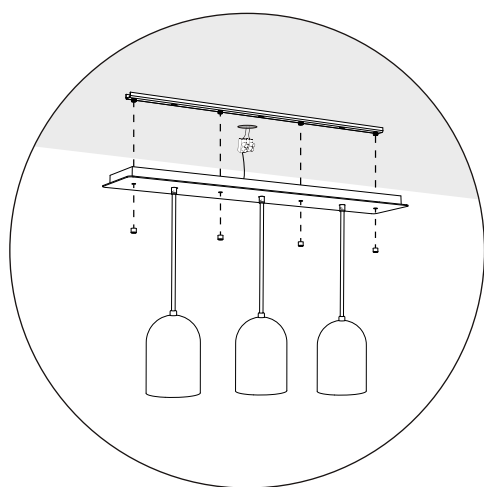
## 1 Place the wall plugs and fix mounting bar to the ceiling. (Reference Canopy Measure: 31,4 in).



\*Before drilling, mark the location of the screws according to the mounting bar.

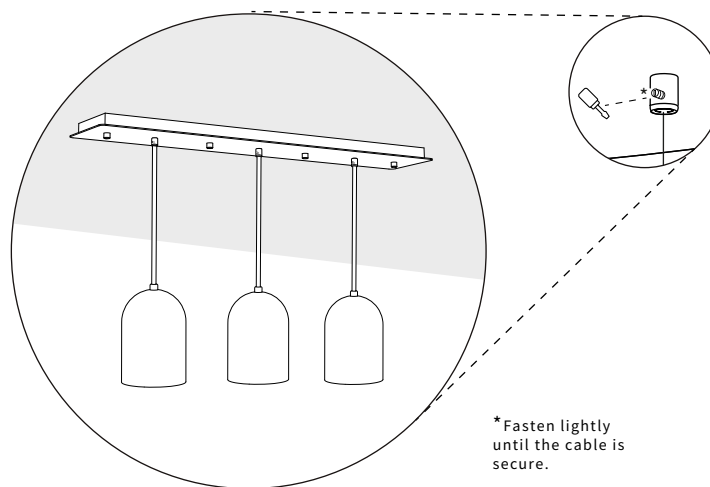
The canopy installation should be done by two people. x2

## 2 Complete the electrical installation and fasten the canopy to the mounting bar.



\*Adjust and level the canopy according to ceiling's surface by adjusting the covers.

## 3 Adjust cable holders.



\*Fasten lightly until the cable is secure.



Handle with care, fragile materials.

bandidostudio.com

#### PUEBLA

Callejón del Cristo 2 Int. 6 A  
Col. San José Del Puente  
72150 Puebla, Pue, México

+52 222 688 8442

#### CDMX

Aristóteles 127  
Polanco IV Sección Miguel Hidalgo  
11550 CDMX, México

+52 555 087 2443

B