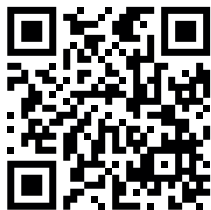


Bandido creates products that generate harmony and warmth in each space where they are present. We hope you enjoy your new product and exceeds all your expectations.

You can get more information about the maintenance of your product and warranty by scanning the following QR Code.



Light Source

1 x lamp LED GU10 Bulb 7 W
100 V ~ 130 60 Hz 7 W LED 0.07 - 0.05 A
Included
7 Wh

Indoor Use

Distrito Bandido

RFC: DBA200515RT3
Callejón del Cristo 2 - 6A
Col. San José del Puente
C.P. 72150. Puebla, Puebla

+52 (222) 688 8442

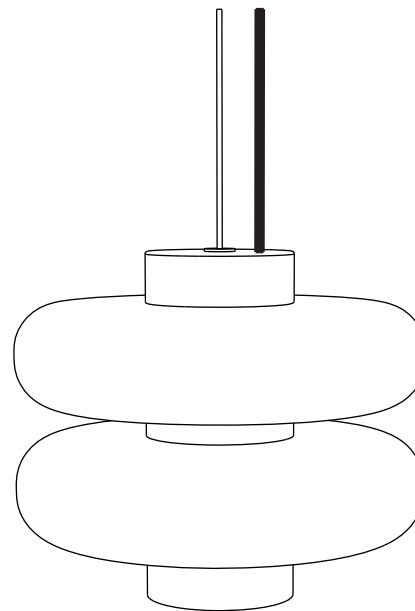
www.bandidostudio.com

B

DUO

Pendant Lamp

Instructions

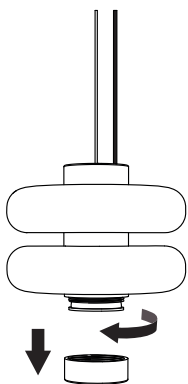


Bandido

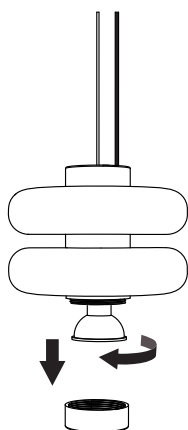
Bulb Replacement

Tutorial

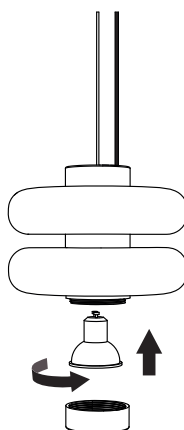
1



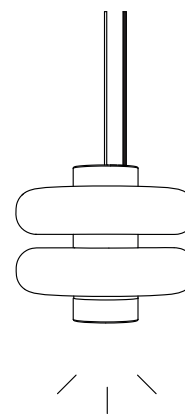
2



3



4



Handle with care, fragile materials.



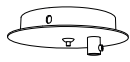
Use only LED bulb

Installation Guide

Pendant Lamp

We suggest that any electrical work should be performed by a qualified electrician.

Parts included.



Canopy
(1 pc.)



GU10 Bulb
(1 pc.)



Wall Plug
(2 pcs.)



Light crossbar
(1 pc.)



Screw
(2 pcs.)



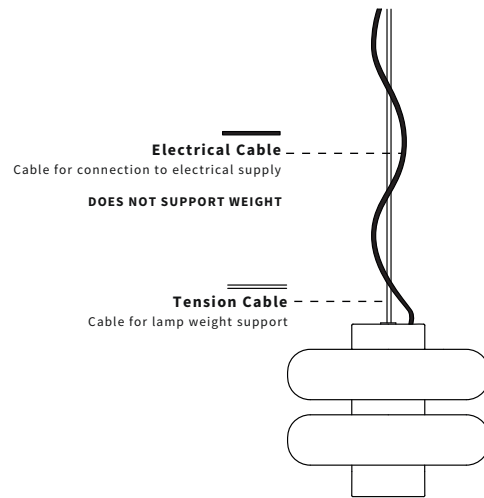
Safety knot
(1 pc.)



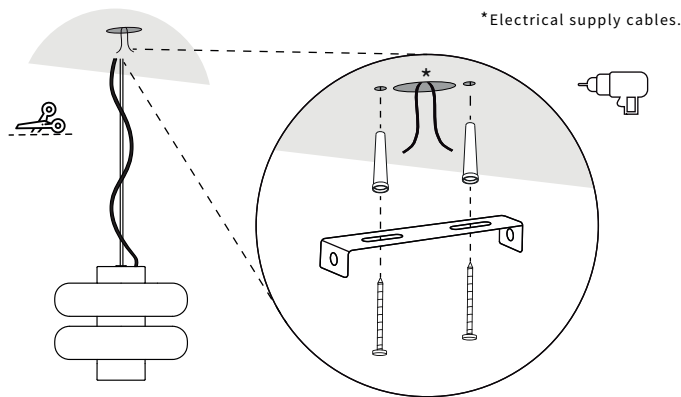
CAUTION: Turn off the power supply before executing any electrical installation.



We recommend incorporating structural reinforcement elements in drywall or comparable wall and ceiling finishes.



1 Cut cable to desired length. Secure crossbar in place.

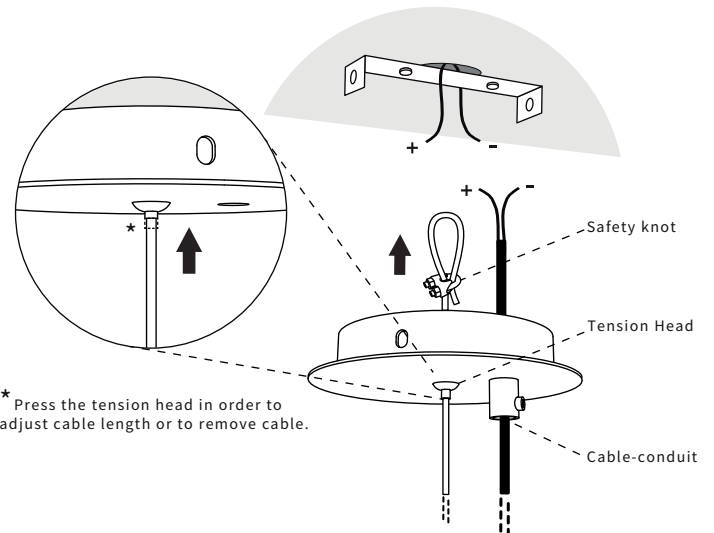


Electrical Cable: 118,1 in
Tension Cable: 78,7 in

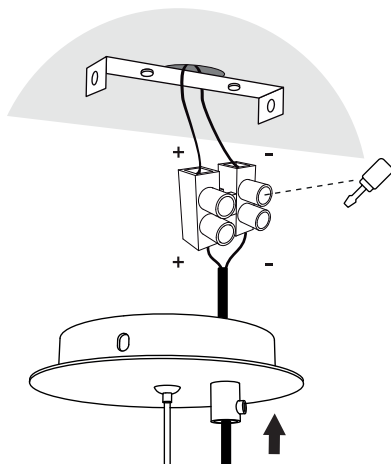
The installation should be done by two people.



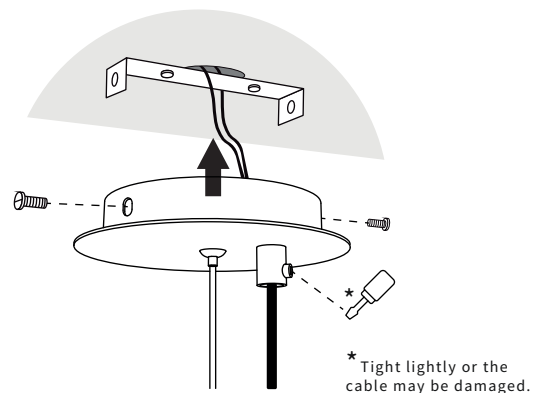
2 Pass the electrical cable through the cable-conduit and the tension cable through the tension head. Place the safety knot on the tension cable.



3 Connect the wires through the connector.



Canopy fastening.



Handle with care, fragile materials.