

Bandido

Bandido creates products that generate harmony and warmth in each space where they are present. We hope you enjoy your new product and exceeds all your expectations.

You can get more information about the maintenance of your product and warranty by scanning the following QR Code.



Light Source

1 x lamp LED GU10 Bulb 7 W
100 V ~ 130 60 Hz 7 W LED 0.07 - 0.05 A
Included
7 Wh

Indoor Use

Distrito Bandido

RFC: DBA200515RT3
Callejón del Cristo 2 - 6A
Col. San José del Puente
C.P. 72150. Puebla, Puebla

+52 (222) 688 8442

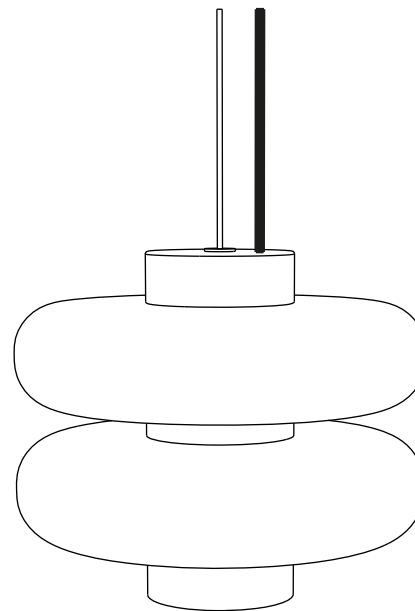
www.bandidostudio.com

B

DUO

Pendant Lamp

Instructions

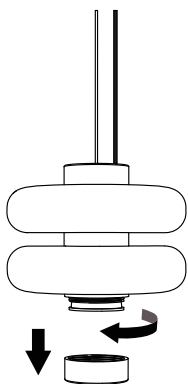


Bandido

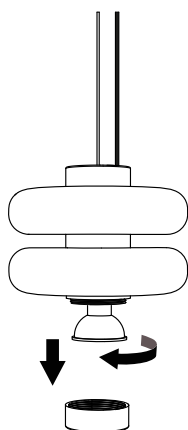
Bulb Replacement

Tutorial

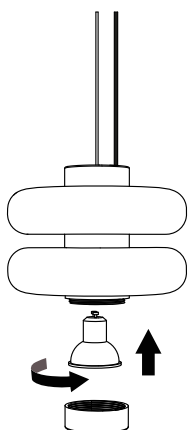
1



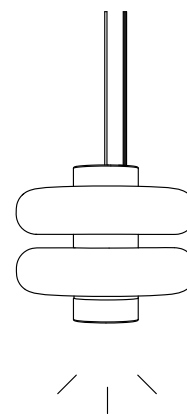
2



3



4



Handle with care, fragile materials.



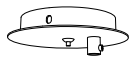
Use only LED bulb

Installation Guide

Pendant Lamp

We suggest that any electrical work should be performed by a qualified electrician.

Parts included.



Canopy
(1 pc.)



GU10 Bulb
(1 pc.)



Wall Plug
(2 pcs.)



Light crossbar
(1 pc.)



Screw
(2 pcs.)



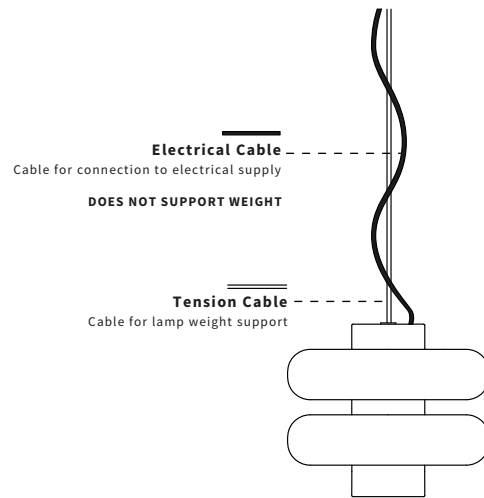
Safety knot
(1 pc.)



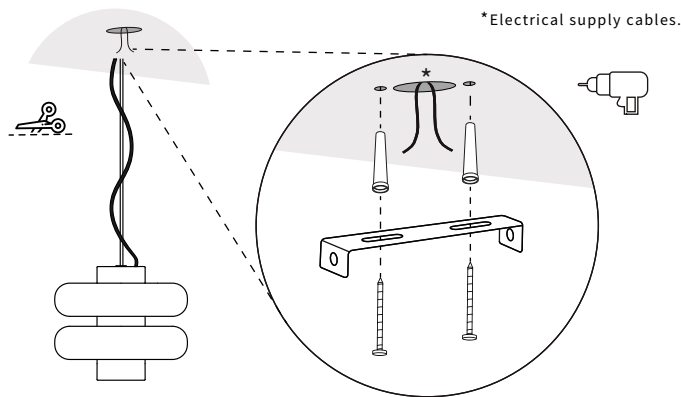
CAUTION: Turn off the power supply before executing any electrical installation.



We recommend incorporating structural reinforcement elements in drywall or comparable wall and ceiling finishes.



1 Cut cable to desired length. Secure crossbar in place.

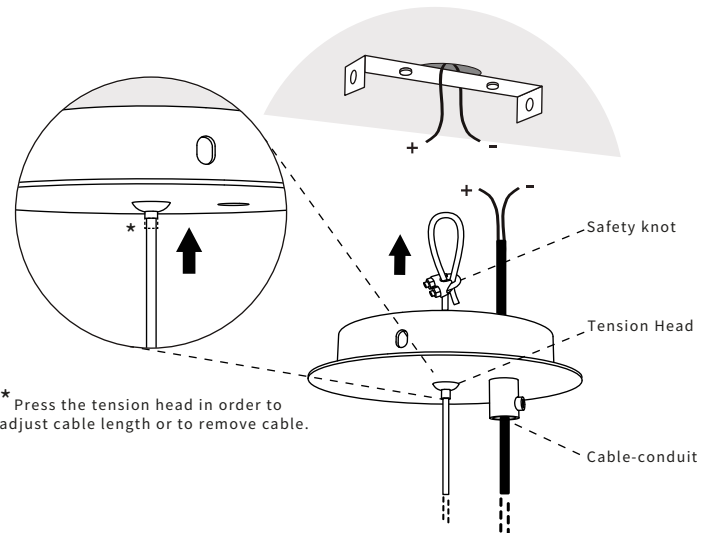


Electrical Cable: 118,1 in
Tension Cable: 78,7 in

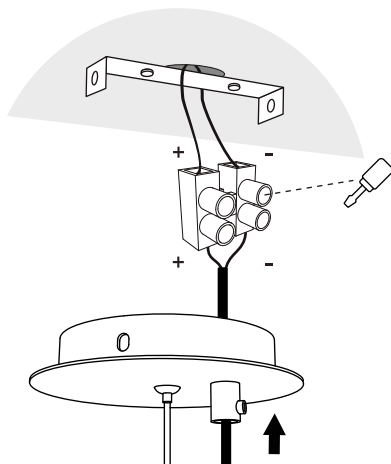
The installation should be done by two people.



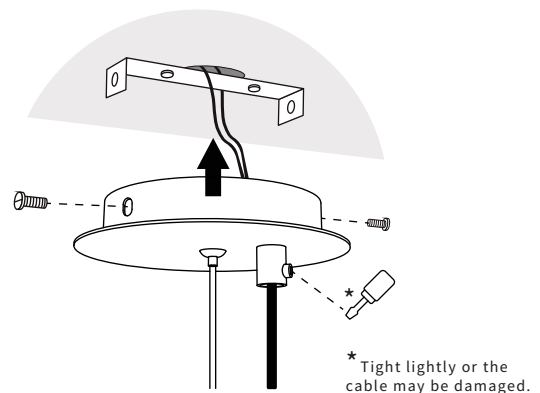
2 Pass the electrical cable through the cable-conduit and the tension cable through the tension head. Place the safety knot on the tension cable.



3 Connect the wires through the connector.



Canopy fastening.



Handle with care, fragile materials.

Bandido creates products that generate harmony and warmth in each space where they are present. We hope you enjoy your new product and exceeds all your expectations.

You can get more information about the maintenance of your product and warranty by scanning the following QR Code.



1 x lamp LED GU10 Bulb 7 W
100 V ~ 130 60 Hz 7 W LED 0.07 - 0.05 A
Included
7 Wh

Indoor Use

Distrito Bandido

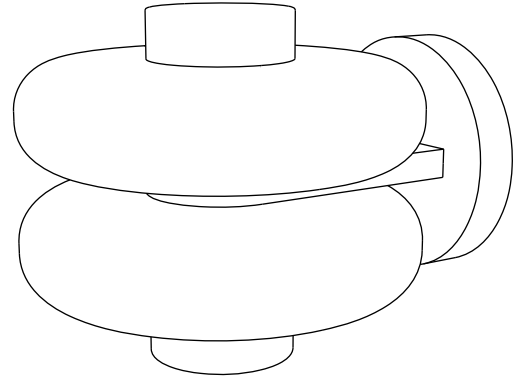
RFC: DBA200515RT3
Callejón del Cristo 2 - 6A
Col. San José del Puente
C.P. 72150. Puebla, Puebla

+52 (222) 688 8442
www.bandidostudio.com

B DUO

Sconce Lamp

Instructions

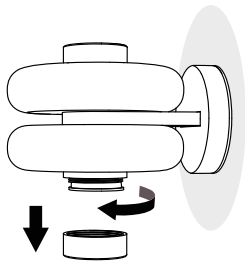


Bandido

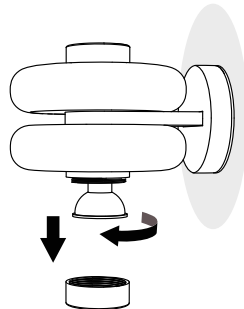
Bulb Replacement

Tutorial

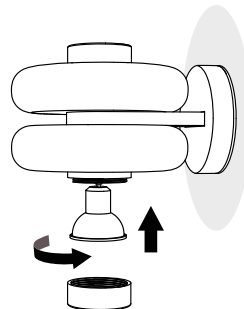
1



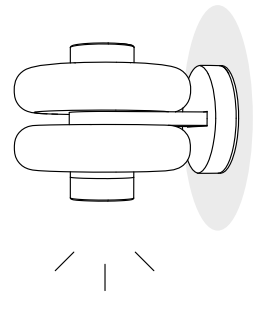
2



3



4



Handle with care, fragile materials.



Use only LED bulb

Installation Guide

Sconce Lamp

We suggest that any electrical work should be performed by a qualified electrician.

Parts included.



Body
(1 pc.)



Screw
(2 pcs.)



Steel Plate
(1 pc.)



Wall Plug
(2 pcs.)



GU10 Bulb
(1 pc.)

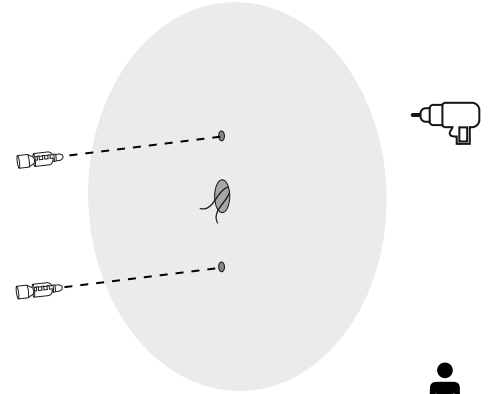


CAUTION: Turn off the power supply before executing any electrical installation.



We recommend incorporating structural reinforcement elements in drywall or comparable wall and ceiling finishes.

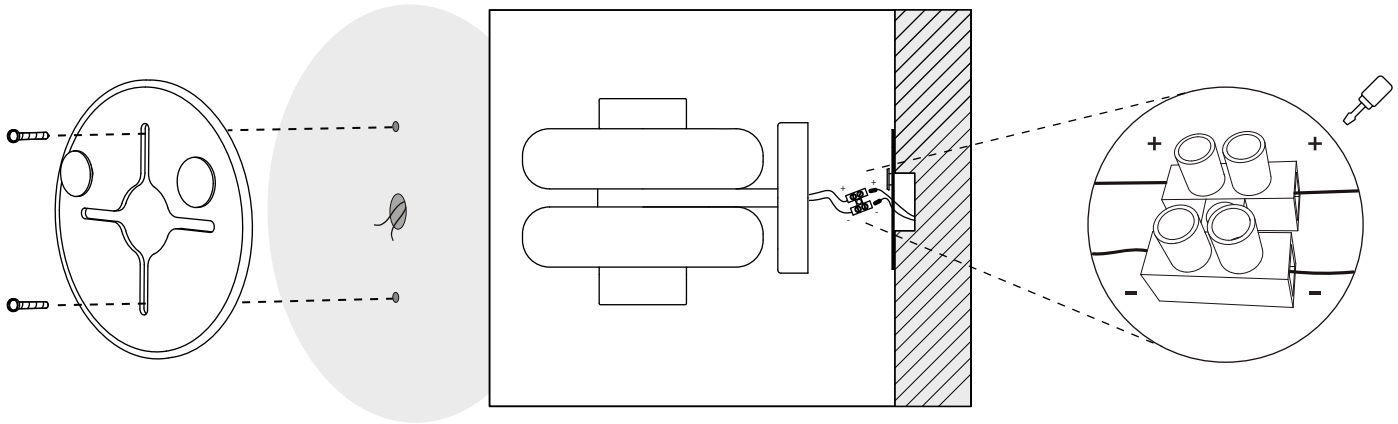
- 1** Placement of wall plugs. Before drilling, mark the location of the screws according to the steel plate and ensure they are level and vertical.



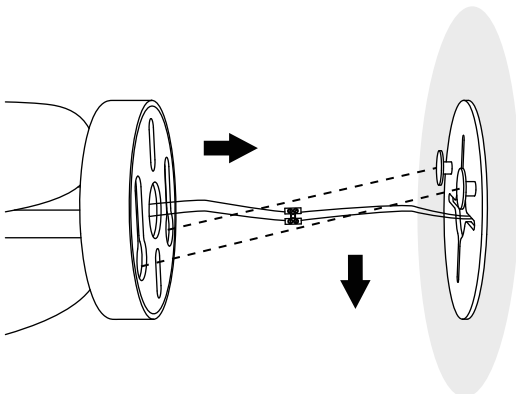
The installation should be done by two people.



- 2** Steel plate fastening.



- 4** Locate the body on the steel plate.



*Place cables through the steel plate.



Handle with care, fragile materials.

Bandido creates products that generate harmony and warmth in each space where they are present. We hope you enjoy your new product and exceeds all your expectations.

You can get more information about the maintenance of your product and warranty by scanning the following QR Code.



Light Source

3 x G9 LED COB bulb 2.5 W máx.
120 V ~ 60 Hz 0.020 A
Included
7.5 Wh

Indoor Use

Distrito Bandido

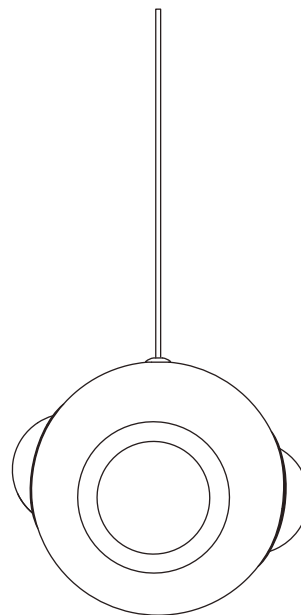
RFC: DBA200515RT3
Callejón del Cristo 2 - 6A
Col. San José del Puente
C.P. 72150. Puebla, Puebla

+52 (222) 688 8442
www.bandidostudio.com

B HUMO 18

Pendant Lamp

Instructions

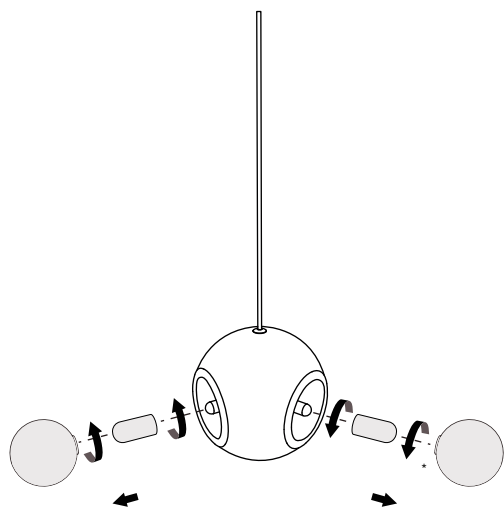


Bandido

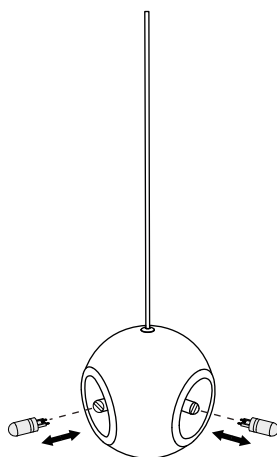
Bulb replacement

Tutorial

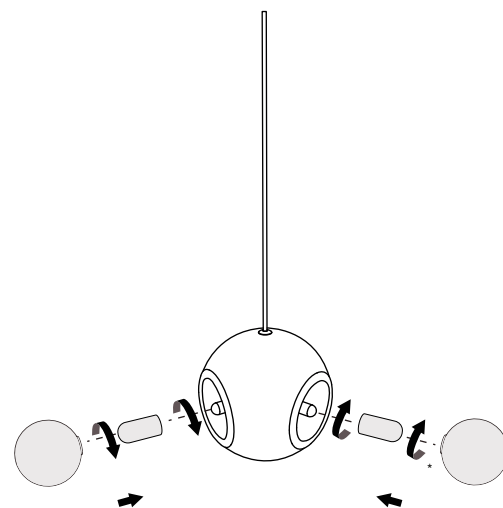
1



2



3



*Align the glasses diffusers and screw gently to avoid jamming.



Handle with care, fragile materials.



Use only LED bulb

Installation Guide

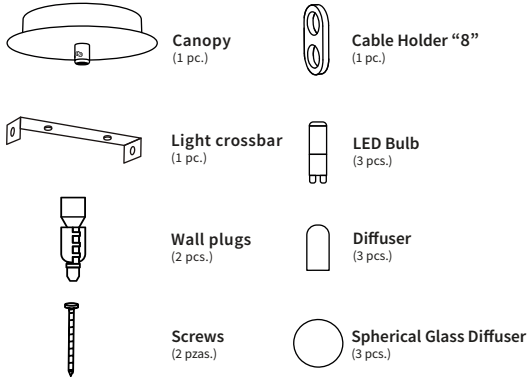
Pendant Lamp



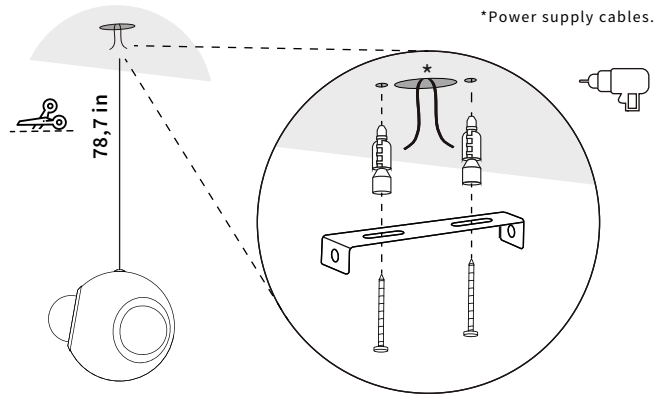
CAUTION: Turn off the power supply before executing any electrical installation.

We suggest that any electrical work should be performed by a qualified electrician.

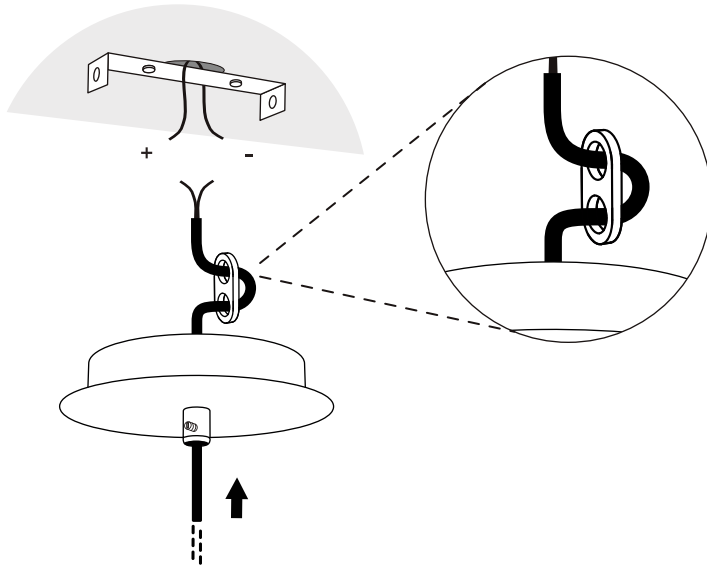
Parts included.



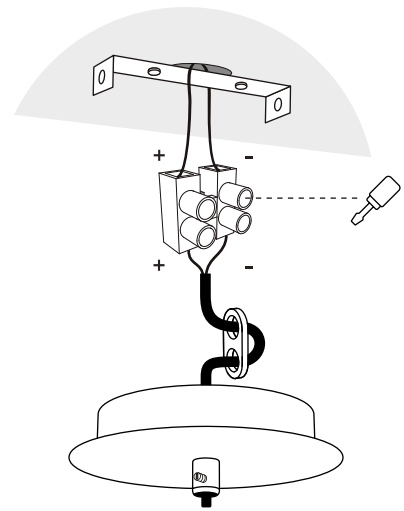
1 Cut the cable to the desired length.



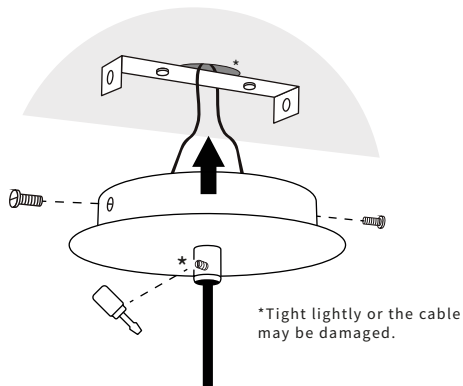
2 Pass the canopy and cable holder "8" through the cable.



3 Connect the wires through the connector.



4 Canopy fastening.



 **Handle with care, fragile materials.**

Bandido creates products that generate harmony and warmth in each space where they are present. We hope you enjoy your new product and exceeds all your expectations.

You can get more information about the maintenance of your product and warranty by scanning the following QR Code.



Light Source

2 x G9 LED COB bulb 2.5 W máx.
120 V ~ 60 Hz 0.020 A
Included
5 Wh

Indoor Use

Distrito Bandido

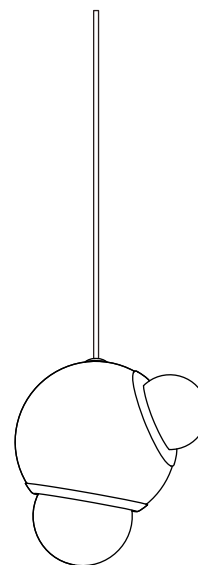
RFC: DBA200515RT3
Callejón del Cristo 2 - 6A
Col. San José del Puente
C.P. 72150. Puebla, Puebla

+52 (222) 688 8442
www.bandidostudio.com

B HUMO 13

Pendant Lamp

Instructions



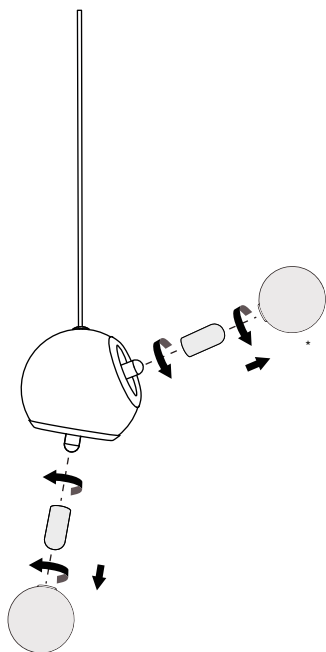
Bandido

Bulb replacement

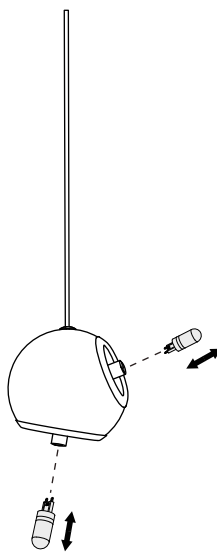
Tutorial

*Align the glasses diffusers and screw gently to avoid jamming.

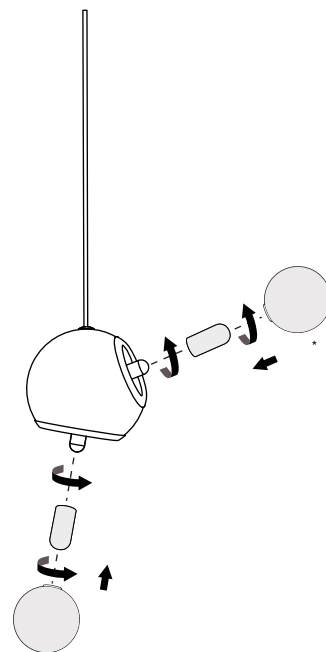
1



2



3



Handle with care, fragile materials.



Use only LED bulb

Installation Guide

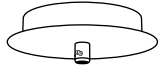
Pendant Lamp



CAUTION: Turn off the power supply before executing any electrical installation.

We suggest that any electrical work should be performed by a qualified electrician.

Parts included.



Canopy
(1 pc.)



Cable Holder "8"
(1 pc.)



Light crossbar
(1 pc.)



LED Bulb
(2 pcs.)



Wall plugs
(2 pcs.)



Glass Diffuser
(2 pcs.)

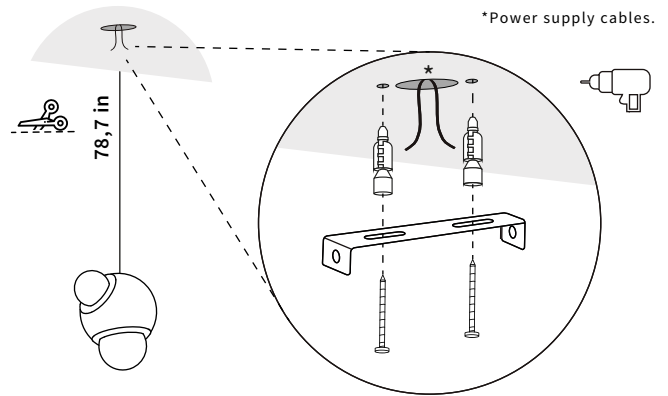


Screws
(2 pcs.)

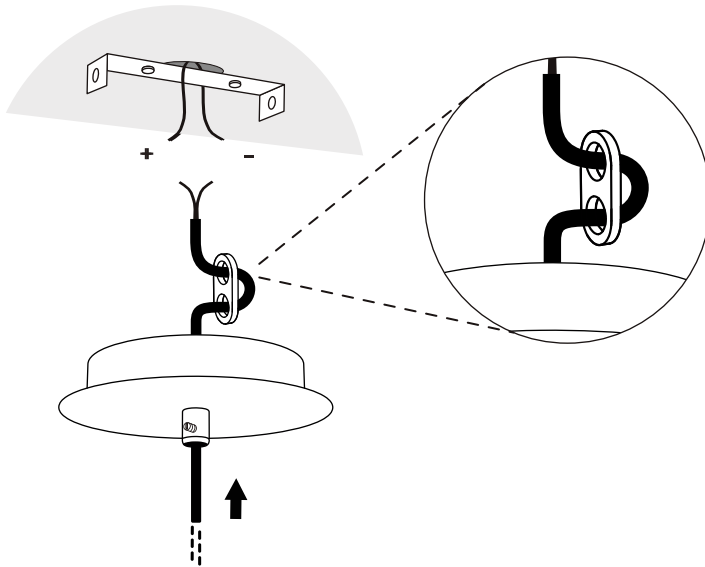


Spherical Glass Diffuser
(2 pcs.)

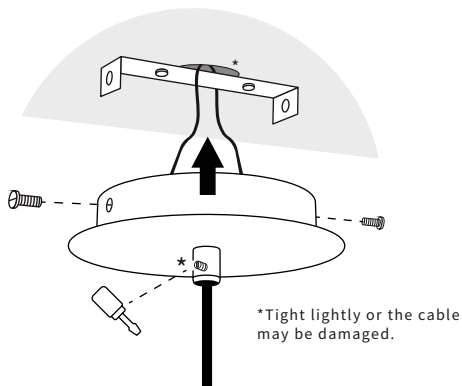
1 Cut the cable to the desired length.



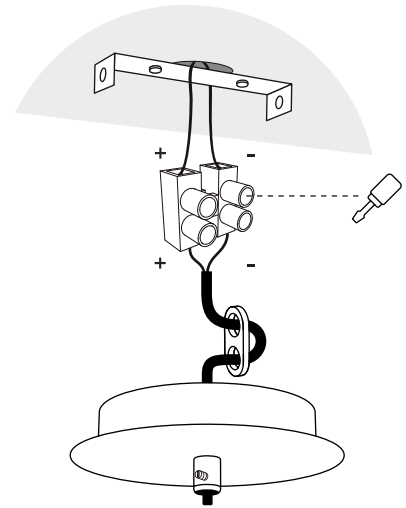
2 Pass the canopy and cable holder "8" through the cable.



4 Canopy fastening.



3 Connect the wires through the connector.



Handle with care, fragile materials.

Bandido creates products that generate harmony and warmth in each space where they are present. We hope you enjoy your new product and exceeds all your expectations.

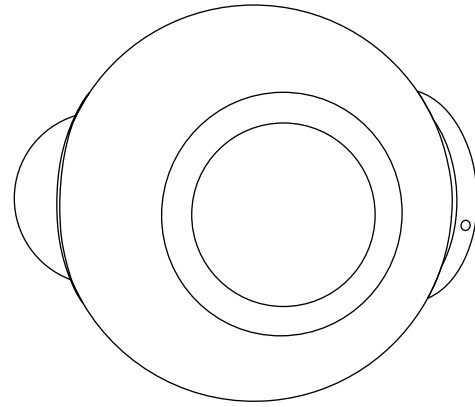
You can get more information about the maintenance of your product and warranty by scanning the following **QR Code**.



B HUMO 18

Wall Sconce

Instructions



Light Source

2 x G9 LED COB bulb 2.5 W máx.
120 V ~ 60 Hz 0.020 A
Included
5 Wh

Indoor Use

Distrito Bandido

RFC: DBA200515RT3
Callejón del Cristo 2 - 6A
Col. San José del Puente
C.P. 72150. Puebla, Puebla

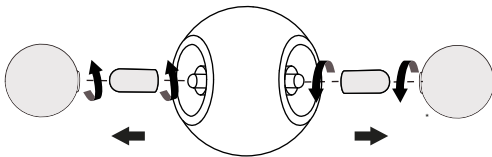
+52 (222) 688 8442
www.bandidostudio.com

Bandido

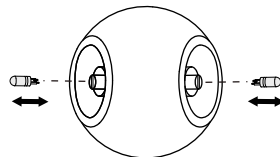
Bulb replacement

Tutorial

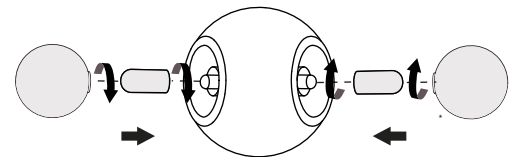
1



2



3



*Align the glasses diffusers and screw gently to avoid jamming.



Handle with care, fragile materials.



Use only LED bulb

Installation Guide

Wall Sconce



CAUTION: Turn off the power supply before executing any electrical installation.

We suggest that any electrical work should be performed by a qualified electrician.

Parts included.



Body
(1 pc.)



Diffuser
(2 pcs.)



Allen Screw
(2 pcs.)



Spherical Glass Diffuser
(2 pcs.)



Steel Plate
(1 pc.)



Screws
(2 pcs.)



LED Bulb
(2 pcs.)

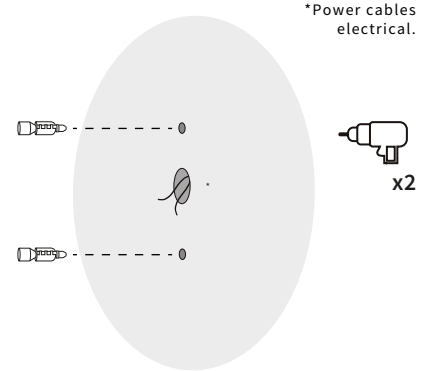


Wall plugs
(2 pcs.)



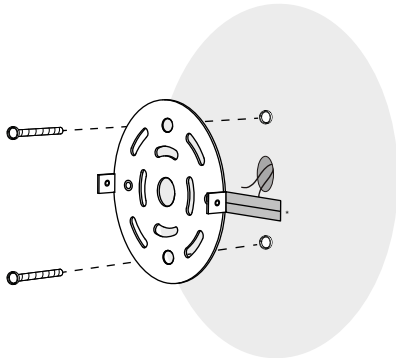
Allen Key
(1 pc.)

1 Placement of wall plugs. Before drilling, mark the location of the screws according to the steel plate.

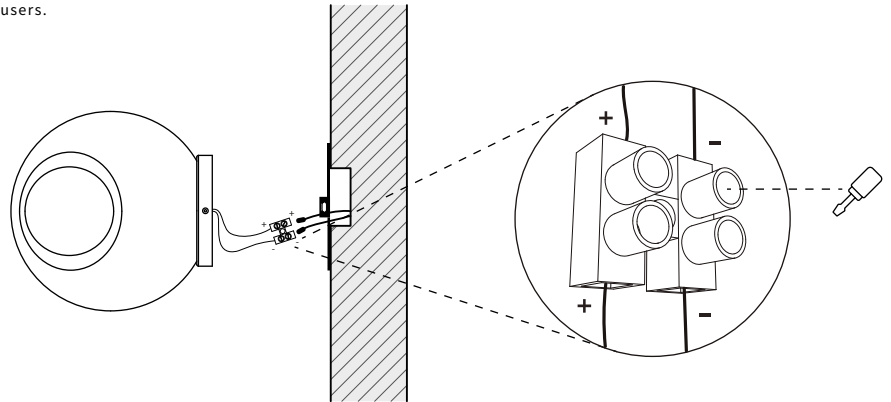


2 Steel plate fastening.

*Consider labels as a guide for placement of the diffusers.

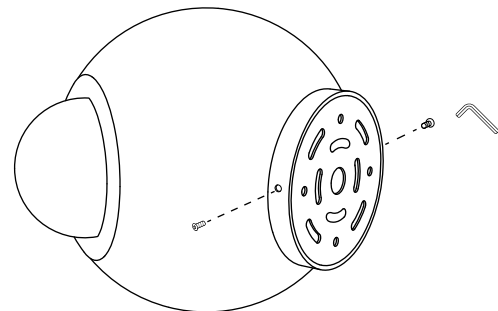
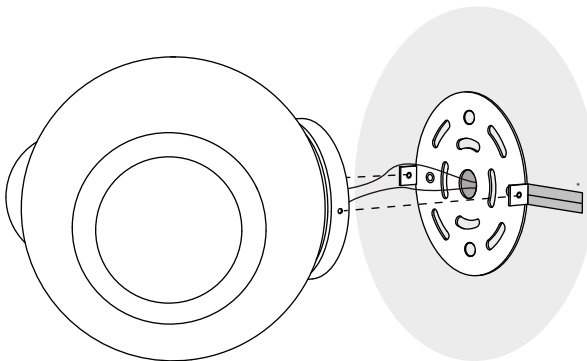


3 Connect the wires through the connector.



4 Body fastening.

*Remove label once installed the lamp.



Handle with care, fragile materials.

Bandido creates products that generate harmony and warmth in each space where they are present. We hope you enjoy your new product and exceeds all your expectations.

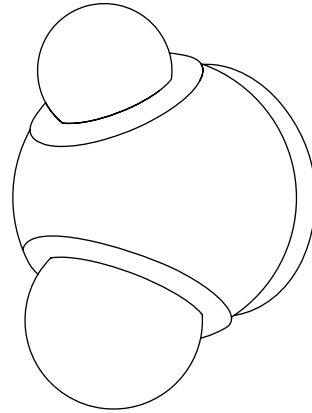
You can get more information about the maintenance of your product and warranty by scanning the following **QR Code**.



B HUMO 13

Wall Sconce

Instructions



Light Source

2 x G9 LED COB bulb 2.5 W máx.
120 V ~ 60 Hz 0.020 A
Included
5 Wh

Indoor Use

Distrito Bandido

RFC: DBA200515RT3
Callejón del Cristo 2 - 6A
Col. San José del Puente
C.P. 72150. Puebla, Puebla

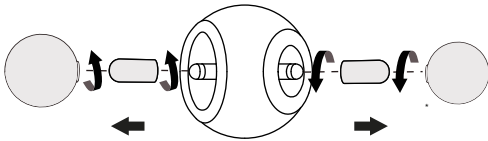
+52 (222) 688 8442
www.bandidostudio.com

Bandido

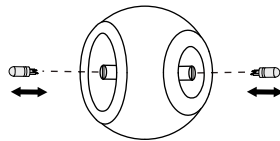
Bulb replacement

Tutorial

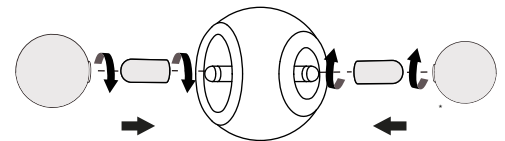
1



2



3



*Align the glasses diffusers and screw gently to avoid jamming.



Handle with care, fragile materials.



Use only LED bulb

Installation Guide

Wall Sconce



CAUTION: Turn off the power supply before executing any electrical installation.

We suggest that any electrical work should be performed by a qualified electrician.

Parts included.



Body
(1 pc.)



Diffuser
(2 pcs.)



Allen Screw
(2 pcs.)



Spherical Glass Diffuser
(2 pcs.)



Steel Plate
(1 pc.)



Screws
(2 pcs.)



LED Bulb
(2 pcs.)

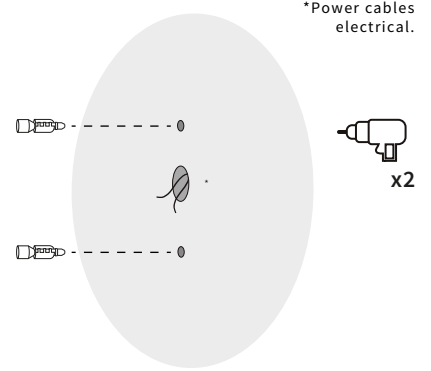


Wall plugs
(2 pcs.)



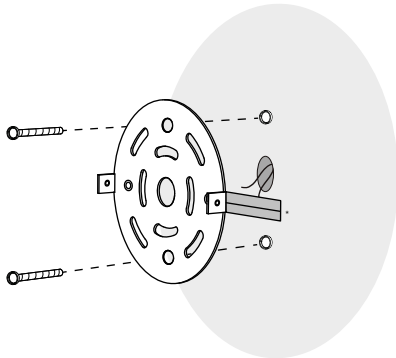
Allen Key
(1 pc.)

1 Placement of wall plugs. Before drilling, mark the location of the screws according to the steel plate.

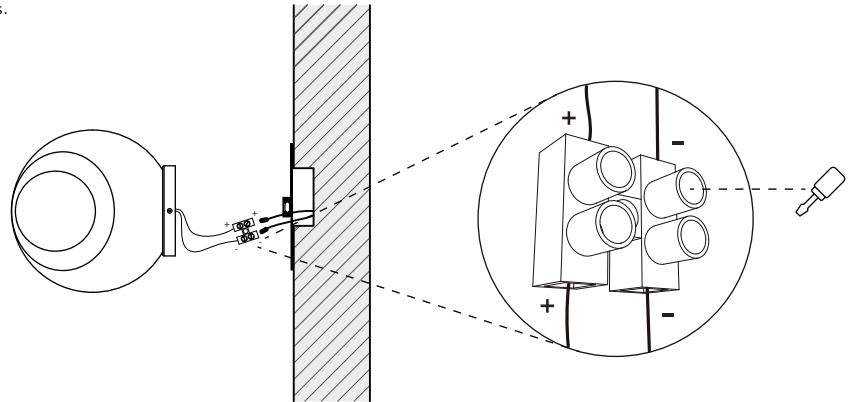


2 Steel plate fastening.

*Consider labels as a guide for placement of the diffusers.

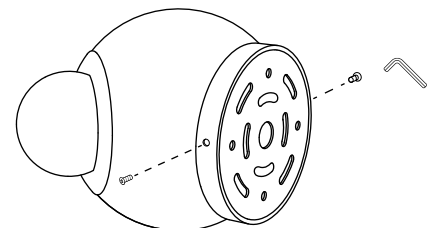
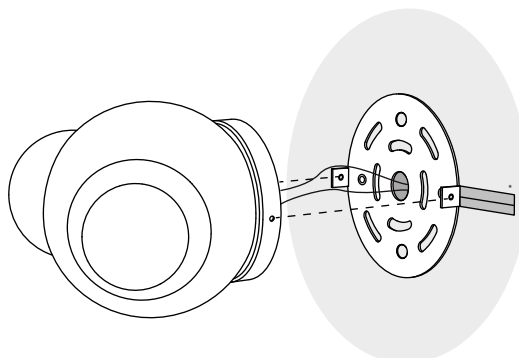


3 Connect the wires through the connector.



4 Body fastening.

*Remove label once installed the lamp.



Handle with care, fragile materials.

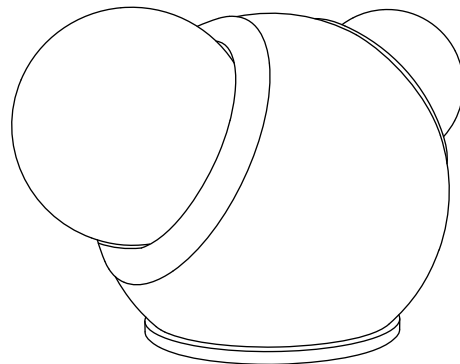
Bandido creates products that generate harmony and warmth in each space where they are present. We hope you enjoy your new product and exceeds all your expectations.

You can get more information about the maintenance of your product and warranty by scanning the following **QR Code**.



B HUMO

Table Lamp Instructions



Light Source

2 x G9 LED COB bulb 2.5 W máx.
120 V ~ 60 Hz 0.020 A
Included
7.5 Wh

Indoor Use

Distrito Bandido

RFC: DBA200515RT3
Callejón del Cristo 2 - 6A
Col. San José del Puente
C.P. 72150. Puebla, Puebla

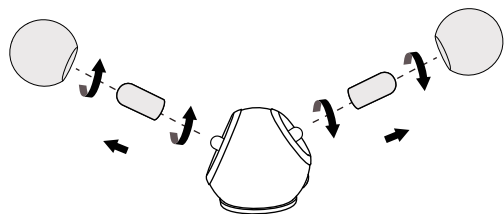
+52 (222) 688 8442
www.bandidostudio.com

Bandido

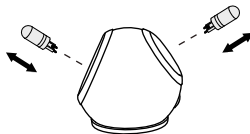
Bulb replacement

Tutorial

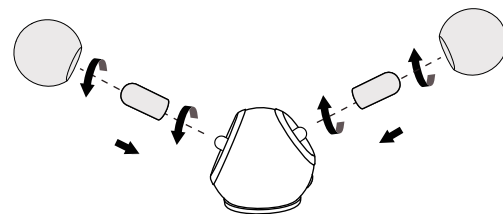
1



2



3



*Align the glasses diffusers and screw gently to avoid jamming.



Handle with care, fragile materials.



Use only LED bulb

Bandido creates products that generate harmony and warmth in each space where they are present. We hope you enjoy your new product and exceeds all your expectations.

You can get more information about the maintenance of your product and warranty by scanning the following **QR Code**.



Light Source

1 x LED module 15 W
127 V ~ 60 Hz 15 W LED 0.118 A
Included
15 Wh

Indoor use

Distrito Bandido

RFC: DBA200515RT3
Callejón del Cristo 2 - 6A
Col. San José del Puente
C.P. 72150. Puebla, Puebla

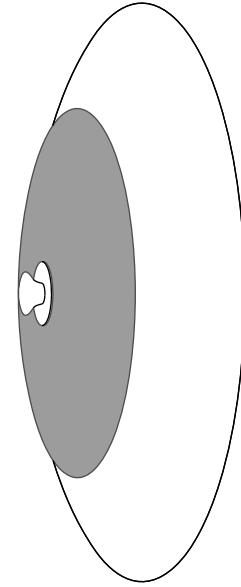
+52 (222) 688 8442
www.bandidostudio.com

B

FASE

Wall Sconce

Instructions



Bandido

Indications of use

1 Unpack carefully. The materials are brittle and can easily crack.

2 Follow instructions on back of sheet for installation of this product.

Spare parts

- To replace the LED module, contact Bandido directly.

- Driver integrated in the product.



Handle with care, fragile materials.



Use only LED bulb

Installation Guide

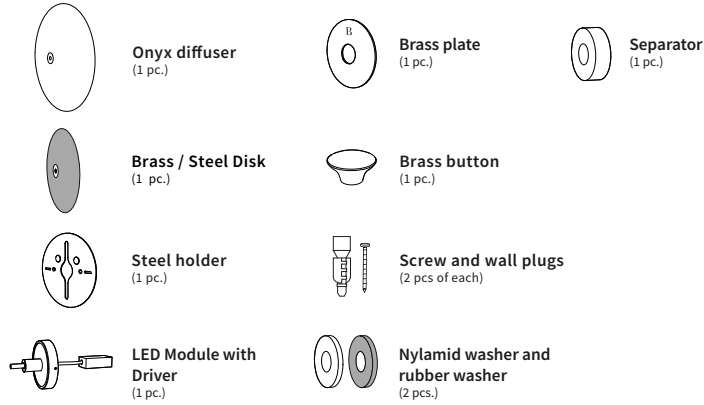
Wall Sconce



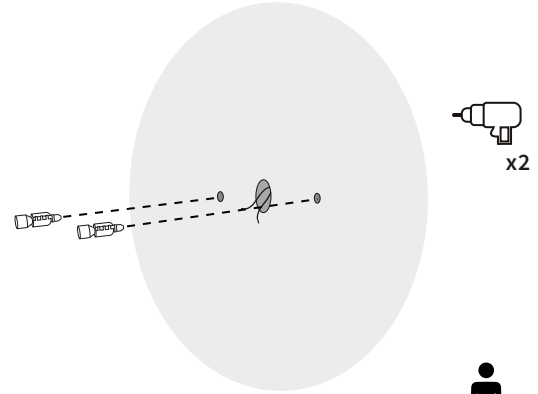
CAUTION: Turn off the power supply before executing any electrical installation.

We suggest that any electrical work should be performed by a qualified electrician.

Parts included.

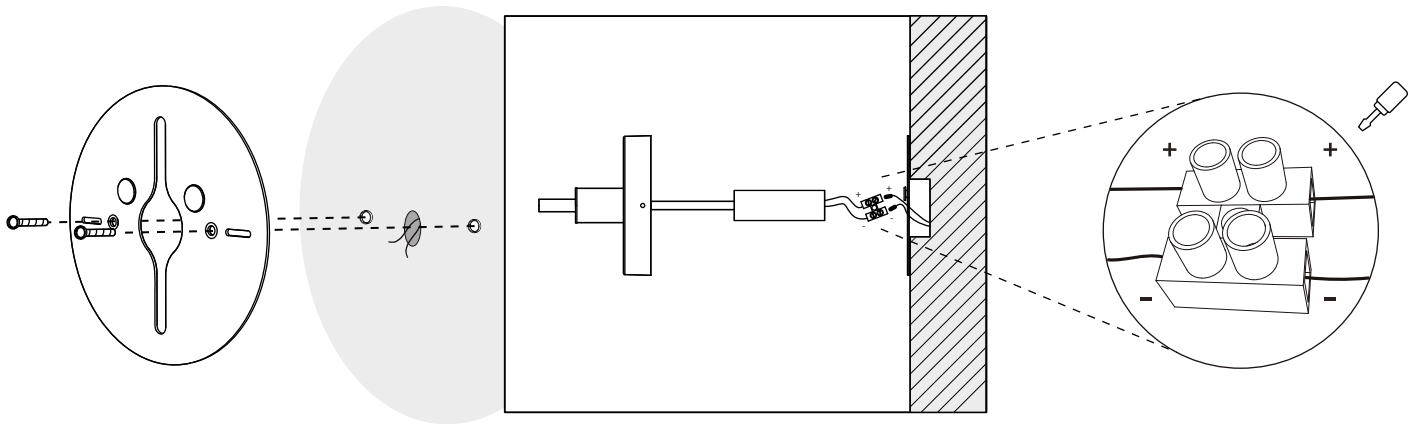


1 Wall plugs placement. Before drilling, mark the location of the screws according to the **Steel holder** and make sure they are leveled horizontally.



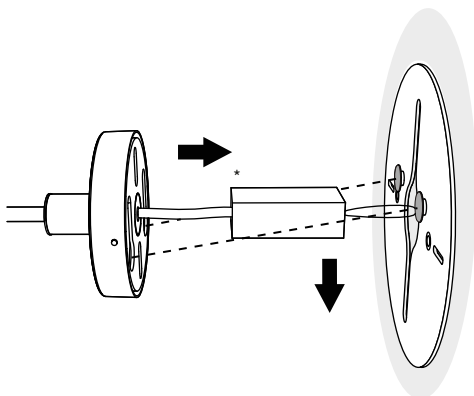
The installation should be done by two people. **x2**

2 Fastening of the Steel holder to the wall.



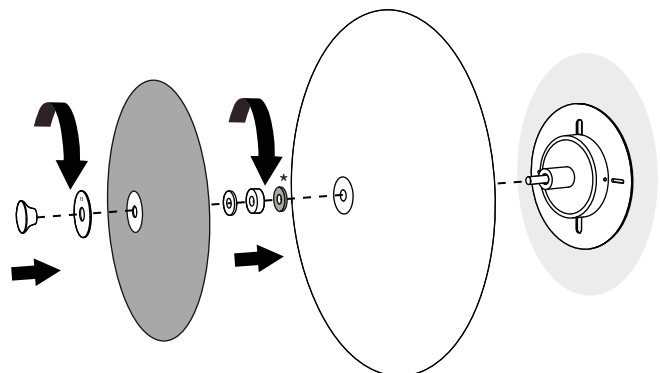
3 Connect the wires + to + and - to - through the connector.

4 Placement of the LED module on the Steel holder.



*Place Driver inside the Steel holder.

5 Onyx diffuser placement and Brass / Steel disk.



* Rubber washer.

Handle with care, fragile materials.

B

Bandido creates products that generate harmony and warmth in each space where they are present. We hope you enjoy your new product and exceeds all your expectations.

You can get more information about the maintenance of your product and warranty by scanning the following QR Code.



Light Source

1 x LED module 18 W
127 V ~ 60 Hz 18 W LED 0.141 A
Included
18 Wh

Indoor use

Distrito Bandido

RFC: DBA200515RT3
Callejón del Cristo 2 - 6A
Col. San José del Puente
C.P. 72150. Puebla, Puebla

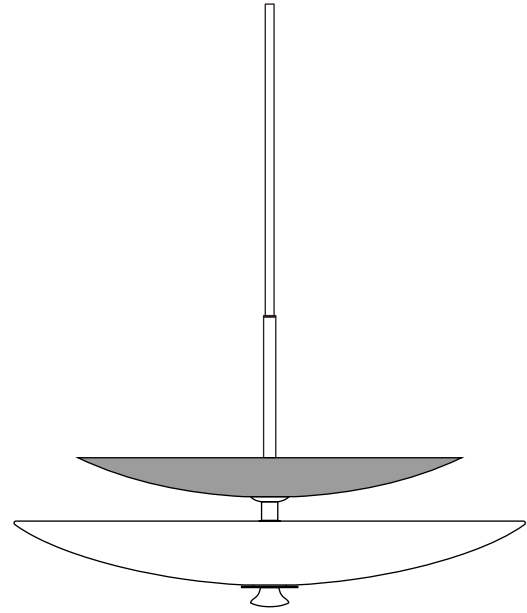
+52 (222) 688 8442
www.bandidostudio.com

B

FASE

Pendant Lamp

Instructions



Bandido

Indications of use

1 Unpack carefully. The materials are brittle and can easily crack.

2 Follow instructions on back of sheet for installation of this product.

Spare parts

- To replace the LED module, contact Bandido directly.

- Driver integrated in the product.



Handle with care, fragile materials.



Use only LED bulb

Installation Guide

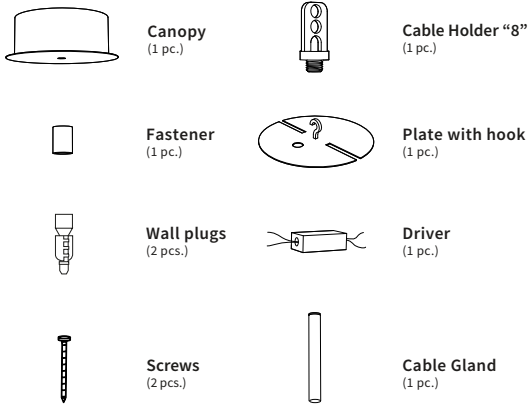
Pendant Lamp



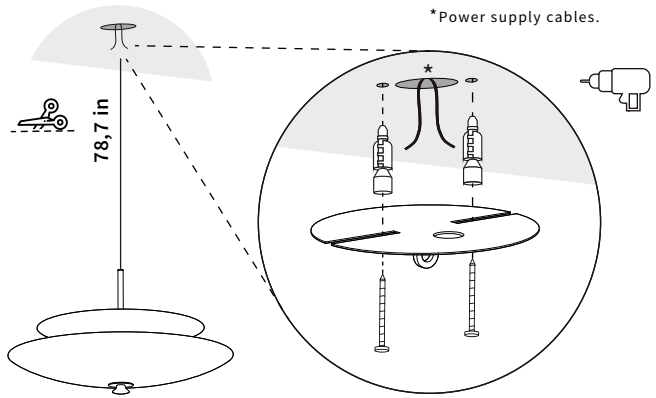
CAUTION: Turn off the power supply before executing any electrical installation.


We suggest that any electrical work should be performed by a qualified electrician.

Parts included.

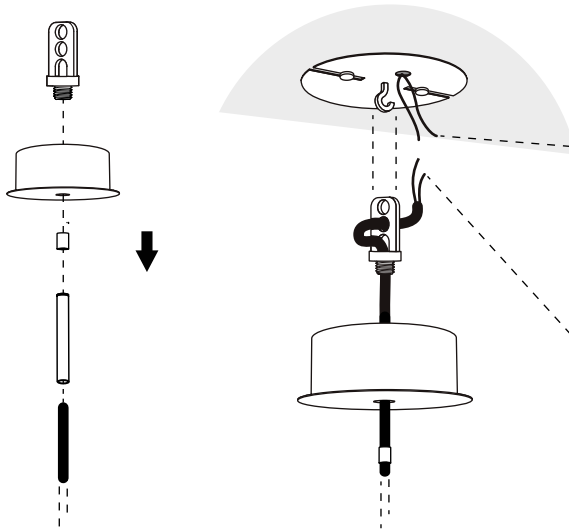


1 Cut the cable to the desired length. Place the wall plugs and fix the plate with the screws to the ceiling.



The installation should be done by two people.  x2

2 Pass the cable gland, fastener, canopy and cable holder "8" through the cable, then hang it on to the hook.



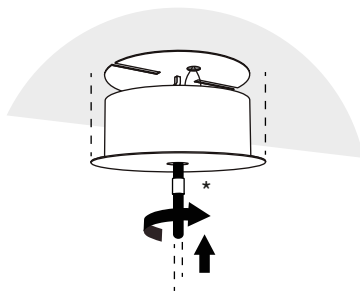
3 Connect the wires through the Driver according to the cable label.



CAUTION RISK OF ELECTRIC SHOCK

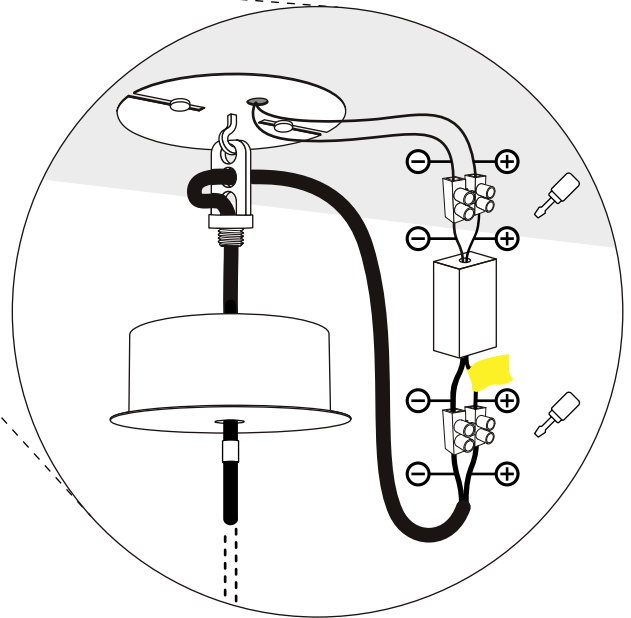
Follow the instructions from cable label for electrical installation.

4 Canopy fastening.



*Place Driver inside the canopy.

*Screw fastener lightly until the canopy is secure.



Connection of cables from lamp to Driver:

Positive (+) with positive (+).
Negative (-) with negative (-).



Handle with care, fragile materials.

B

Bandido creates products that generate harmony and warmth in each space where they are present. We hope you enjoy your new product and exceeds all your expectations.

You can get more information about the maintenance of your product and warranty by scanning the following **QR Code**.



Light Source

1 x LED module 18 W
127 V ~ 60 Hz 18 W LED 0.141 A
Included
18 Wh

Indoor use

Distrito Bandido

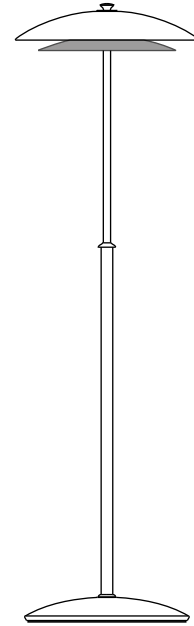
RFC: DBA200515RT3
Callejón del Cristo 2 - 6A
Col. San José del Puente
C.P. 72150. Puebla, Puebla

+52 (222) 688 8442
www.bandidostudio.com

B FASE

Floor Lamp

Instructions



Bandido

Indications of use

1 Unpack carefully. The materials are brittle and can easily crack.

2 Connect plug to electrical outlet.

3 Use button switch to turn on and off.

Spare parts

- To replace the LED module, contact Bandido directly.

- Driver integrated in the product.



Handle with care, fragile materials.



Use only LED bulb

Bandido creates products that generate harmony and warmth in each space where they are present. We hope you enjoy your new product and exceeds all your expectations.

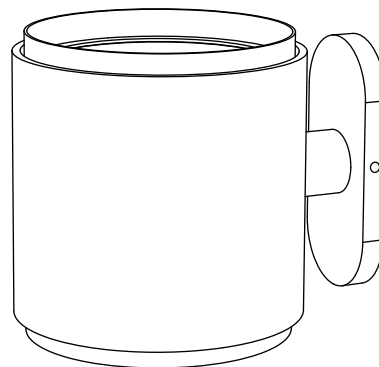
You can get more information about the maintenance of your product and warranty by scanning the following QR Code.



B TEMPLO

Wall Sconce

Instructions



Light Source

1 x G9 LED bulb 5 W max.
120 V - 60 Hz 5 W 0.038 A.
Included
5 Wh

Indoor Use

Distrito Bandido

RFC: DBA200515RT3
Callejón del Cristo 2 - 6A
Col. San José del Puente
C.P. 72150. Puebla, Puebla

+52 (222) 688 8442

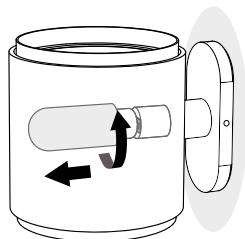
www.bandidostudio.com

Bandido

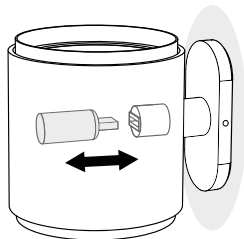
Bulb replacement

Tutorial

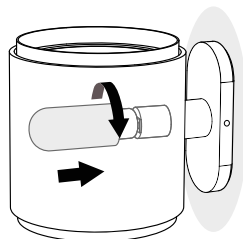
1



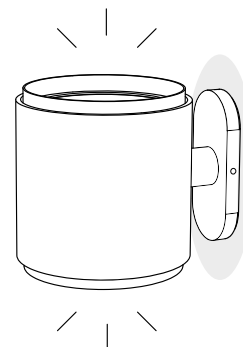
2



3



4



Handle with care, fragile materials.



Use only LED bulb

Installation Guide

Wall Sconce



CAUTION: Turn off the power supply before executing any electrical installation.

We suggest that any electrical work should be performed by a qualified electrician.

Parts included.



Body
(1 pc.)



Diffuser
(1 pc.)



Fasteners
(2 pcs.)



Screws
(2 pcs.)



Steel Plate
(1 pc.)

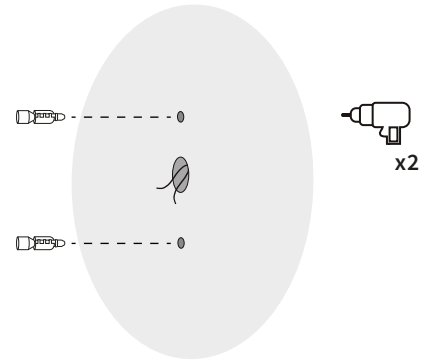


Wall plugs
(2 pcs.)

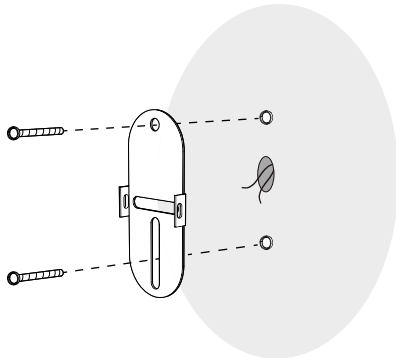


LED Bulb
(1 pc.)

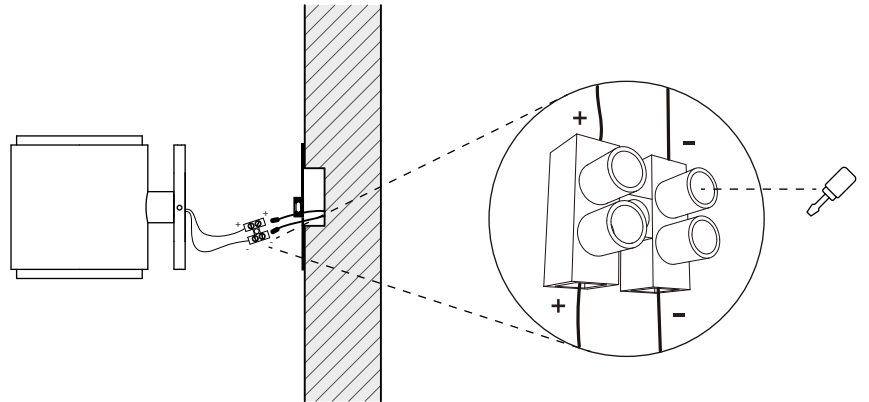
1 Placement of wall plugs. Before drilling, mark the location of the screws according to the steel plate.



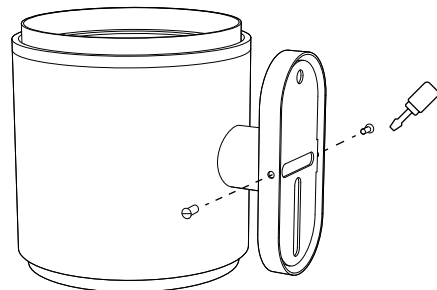
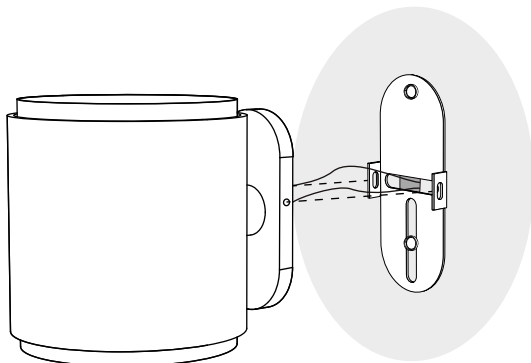
2 Steel plate fastening.



3 Connect the wires through the connector.



4 Body fastening.



Handle with care, fragile materials.

Bandido creates products that generate harmony and warmth in each space where they are present. We hope you enjoy your new product and exceeds all your expectations.

You can get more information about the maintenance of your product and warranty by scanning the following **QR Code**.



Light Source

1 x E27 LED bulb PAR30 10 W max.
120 V - 60 Hz 10 W LED 0.1 A.
Included
10 Wh

Indoor Use

Distrito Bandido

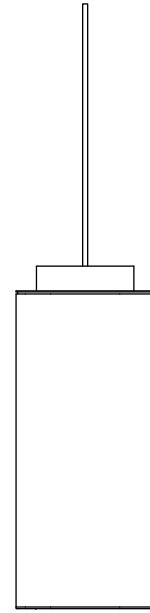
RFC: DBA200515RT3
Callejón del Cristo 2 - 6A
Col. San José del Puente
C.P. 72150. Puebla, Puebla

+52 (222) 688 8442
www.bandidostudio.com

B TEMPLO

Pendant Lamp

Instructions

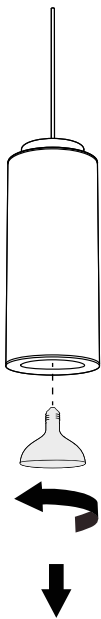


Bandido

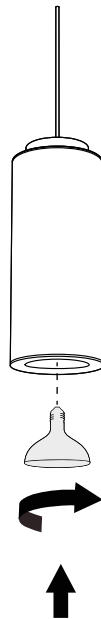
Bulb replacement

Tutorial

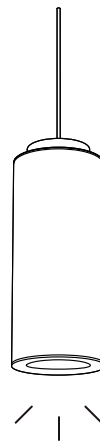
1



2



3



Handle with care, fragile materials.



Use only LED bulb

Installation Guide

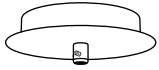
Pendant Lamp



CAUTION: Turn off the power supply before executing any electrical installation.

We suggest that any electrical work should be performed by a qualified electrician.

Parts included.



Canopy
(1 pc.)



Cable Holder "8"
(1 pc.)



Light crossbar
(1 pc.)

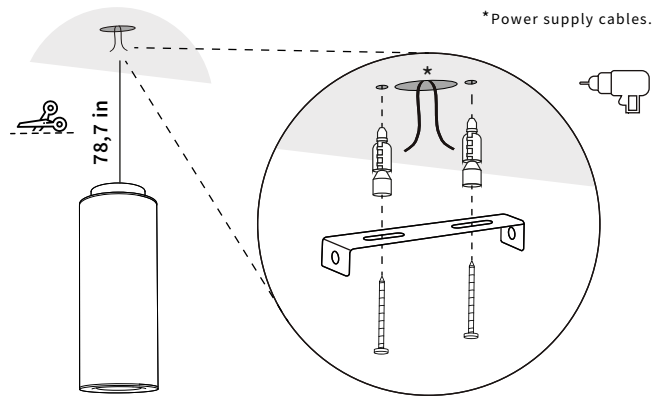


Wall plugs
(2 pcs.)

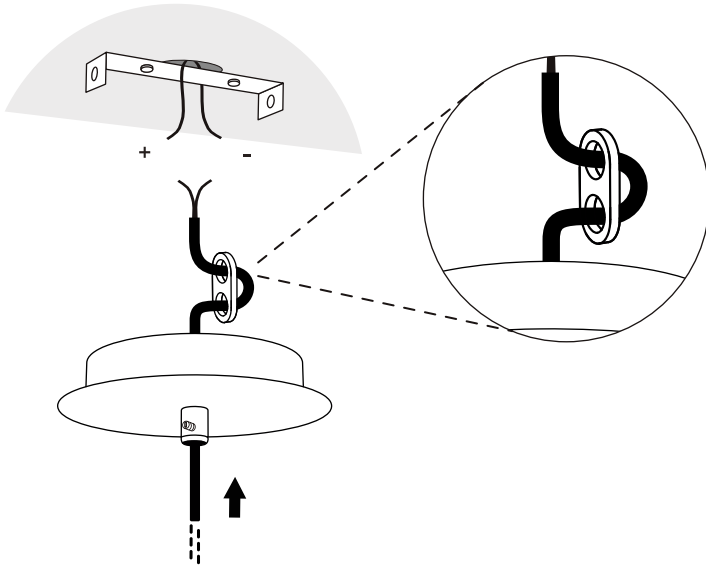


Screws
(2 pcs.)

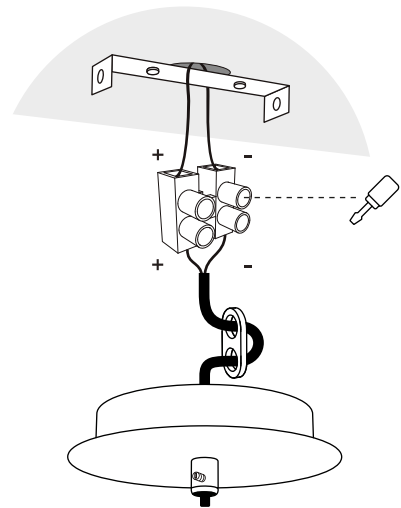
1 Cut the cable to the desired length. Place the wall plugs and fix the light crossbar to the ceiling.



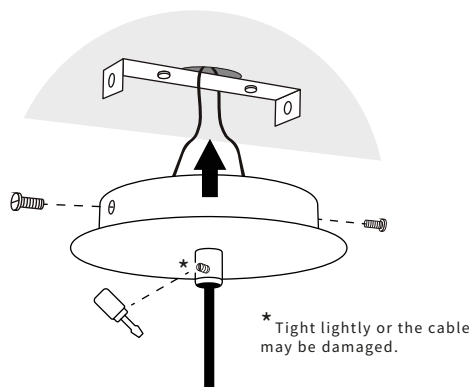
2 Pass the canopy and cable holder "8" through the cable.



3 Connect the wires through the connector.



4 Canopy fastening.



Handle with care, fragile materials.

Bandido creates products that generate harmony and warmth in each space where they are present. We hope you enjoy your new product and exceeds all your expectations.

You can get more information about the maintenance of your product and warranty by scanning the following QR Code.



Light Source

2 x E27 LED bulb PAR20 7 W max.
127 V - 60 Hz 7 W LED 0.07 A.
Included
7 Wh

Indoor Use

Distrito Bandido

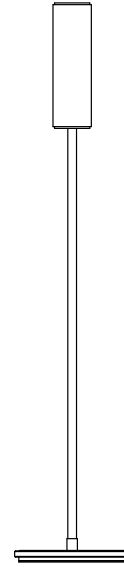
RFC: DBA200515RT3
Callejón del Cristo 2 - 6A
Col. San José del Puente
C.P. 72150. Puebla, Puebla

+52 (222) 688 8442
www.bandidostudio.com

B TEMPLO

Floor Lamp

Instructions

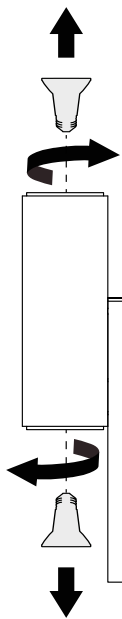


Bandido

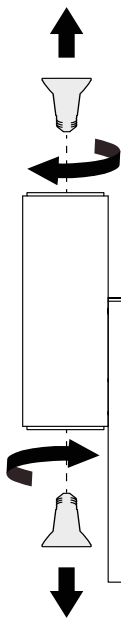
Bulb replacement

Tutorial

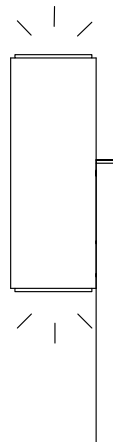
1



2



3



Handle with care, fragile materials.



Use only LED bulb

Installation Guide

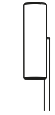
Floor Lamp



CAUTION: Turn off the power supply before executing any electrical installation.

We suggest that any electrical work should be performed by a qualified electrician.

Parts included.



Lamp
(1 pc.)



Allen Key
(1 pc.)



Base
(1 pc.)

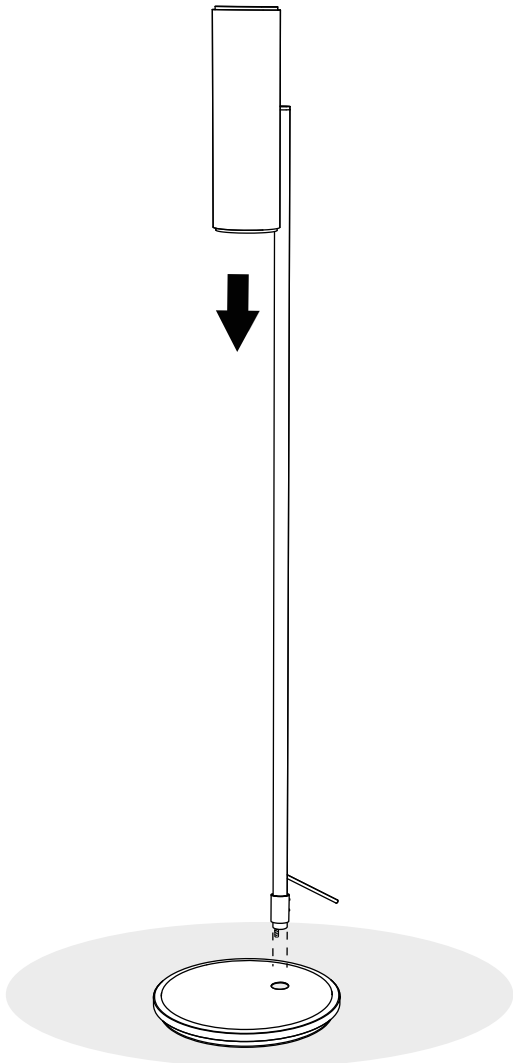


LED Bulb
(2 pcs.)



Screws
(1 pc.)

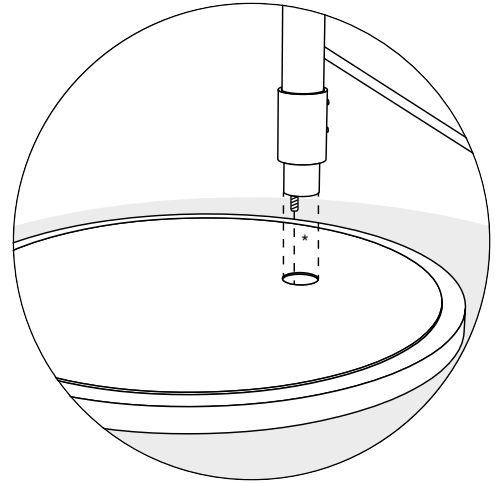
1



2

Place the lamp on the base. (Detail)

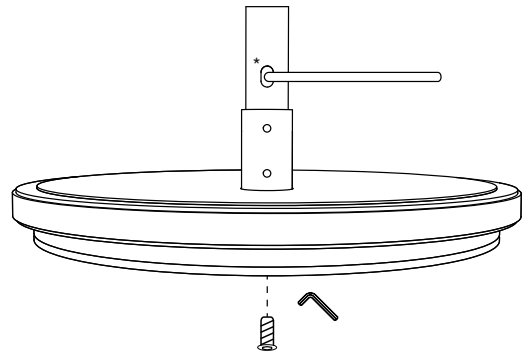
* Reference screw for positioning the lamp tube over the base.



3

Lamp assembly.

* Verify that the cable is facing the back of the lamp.



Handle with care, fragile materials.

B

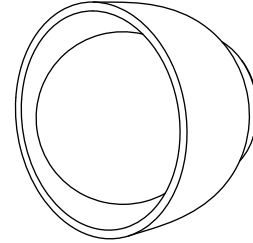
Bandido creates products that generate harmony and warmth in each space where they are present. We hope you enjoy your new product and exceeds all your expectations.

You can get more information about the maintenance of your product and warranty by scanning the following QR Code.



B DBH 02 I

Wall Sconce Instructions



Light Source

1 x G9 LED COB bulb 2.5 W max.
120 V - 60 Hz 2.5 W LED 0.02 A.
Included
2.5 Wh

Indoor use

Distrito Bandido

RFC: DBA200515RT3
Callejón del Cristo 2 - 6A
Col. San José del Puente
C.P. 72150. Puebla, Puebla

+52 (222) 688 8442

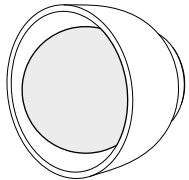
www.bandidostudio.com

Bandido

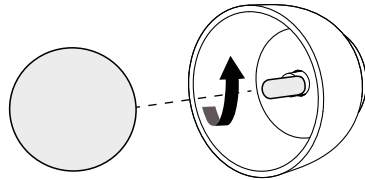
Bulb replacement

Tutorial

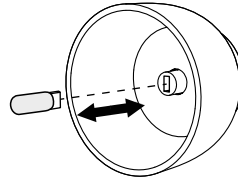
1



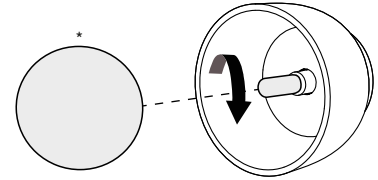
2



3



4



*Align the glass diffuser and screw gently to avoid jamming.



Handle with care, fragile materials.



Use only LED bulb

Installation Guide

Wall Sconce



CAUTION: Turn off the power supply before executing any electrical installation.

We suggest that any electrical work should be performed by a qualified electrician.

Parts included.



Module
(1 pc.)



Glass Diffuser
(1 pc.)



Brass Cover
(1 pc.)



Screws
(2 pcs.)

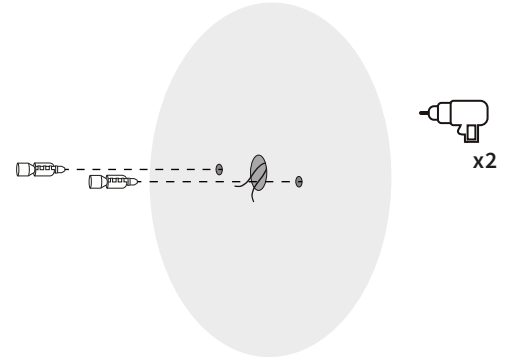


LED Bulb
(1 pc.)

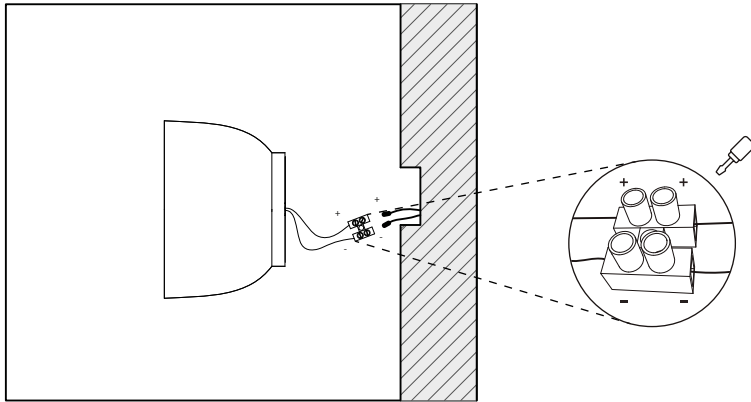


Wall Plugs
(2 pcs.)

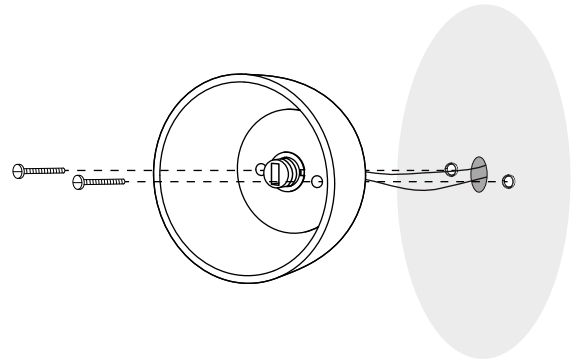
1 Placement of wall plugs. Before drilling, mark the location of the wall holes according to the module.



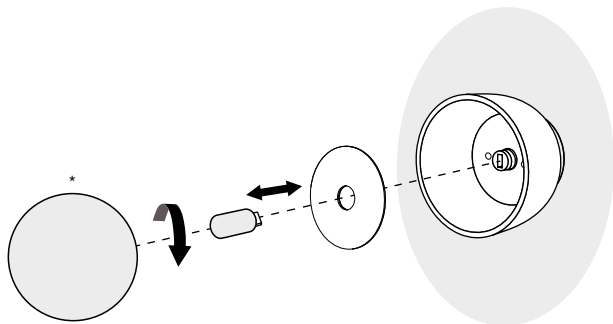
2 Connect the wires through the connector.



3 Fix the module to the wall.



4 Put the brass cover followed by the LED Bulbs and Glass Diffusers.



*Align the glass diffuser and screw gently to avoid jamming.



Handle with care, fragile materials.

Bandido creates products that generate harmony and warmth in each space where they are present. We hope you enjoy your new product and exceeds all your expectations.

You can get more information about the maintenance of your product and warranty by scanning the following **QR Code**.

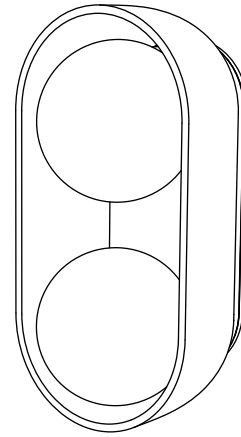


B

DBH 02 II

Wall Sconce

Instructions



Light Source

2 x G9 LED COB bulb 2.5 W max.
120 V - 60 Hz 2.5 W LED 0.02 A.
Included
2.5 Wh

Indoor use

Distrito Bandido

RFC: DBA200515RT3
Callejón del Cristo 2 - 6A
Col. San José del Puente
C.P. 72150. Puebla, Puebla

+52 (222) 688 8442

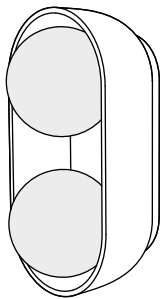
www.bandidostudio.com

Bandido

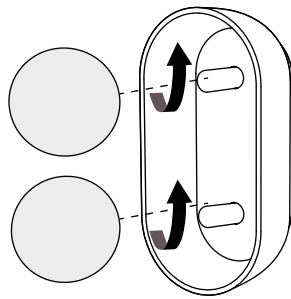
Bulb replacement

Tutorial

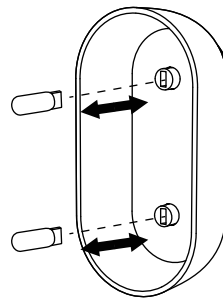
1



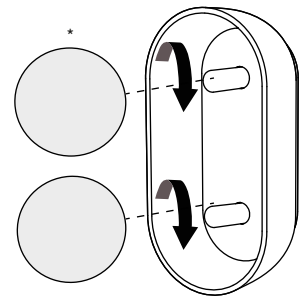
2



3



4



*Align the glass diffuser and screw gently to avoid jamming.



Handle with care, fragile materials.



Use only LED bulb

Installation Guide

Wall Sconce



CAUTION: Turn off the power supply before executing any electrical installation.

We suggest that any electrical work should be performed by a qualified electrician.

Parts included.



Module
(1 pc.)



Glass Diffuser
(2 pcs.)



Brass Cover
(1 pc.)



Screws
(2 pcs.)

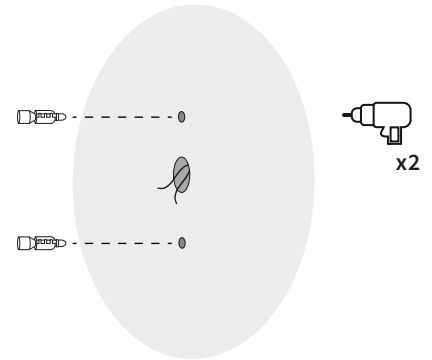


LED Bulb
(2 pcs.)

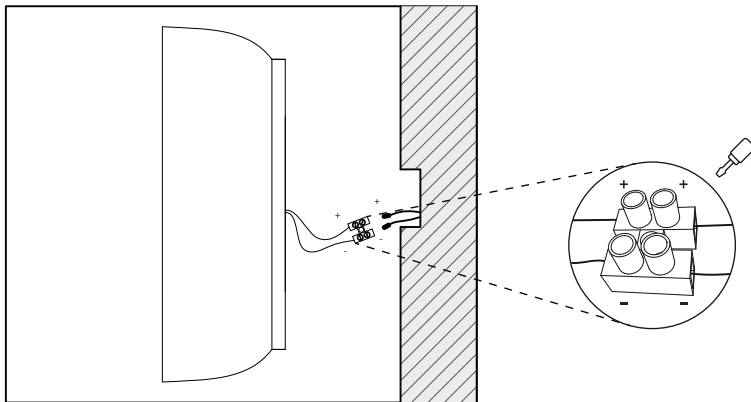


Wall Plugs
(2 pcs.)

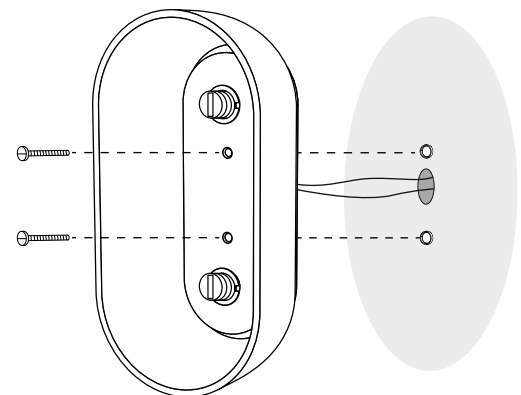
1 Placement of wall plugs. Before drilling, mark the location of the wall holes according to the module.



2 Connect the wires through the connector.

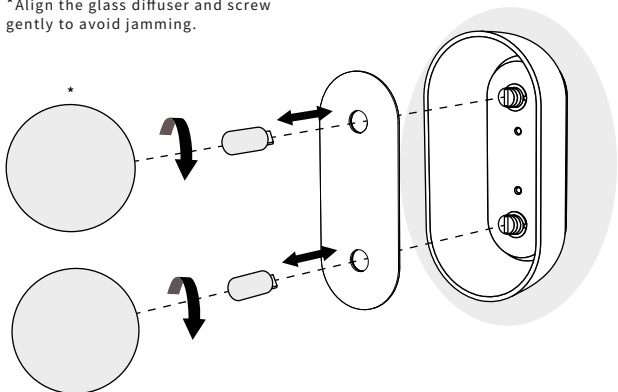


3 Fix the module to the wall.



4 Put the brass cover followed by the LED Bulbs and Glass Diffusers.

*Align the glass diffuser and screw gently to avoid jamming.



Handle with care, fragile materials.

Bandido creates products that generate harmony and warmth in each space where they are present. We hope you enjoy your new product and exceeds all your expectations.

You can get more information about the maintenance of your product and warranty by scanning the following QR Code.



Light Source

3 x G9 LED COB bulb 2.5 W max.
120 V - 60 Hz 2.5 W LED 0.02 A.
Included
2.5 Wh

Indoor use

Distrito Bandido

RFC: DBA200515RT3
Callejón del Cristo 2 - 6A
Col. San José del Puente
C.P. 72150. Puebla, Puebla

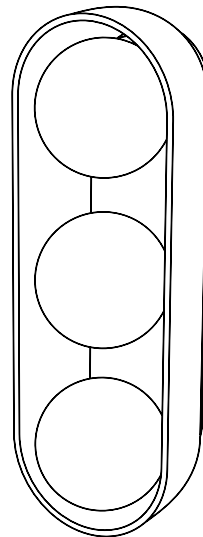
+52 (222) 688 8442
www.bandidostudio.com

B

DBH 02 III

Wall Sconce

Instructions

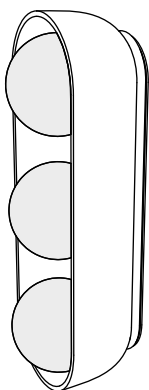


Bandido

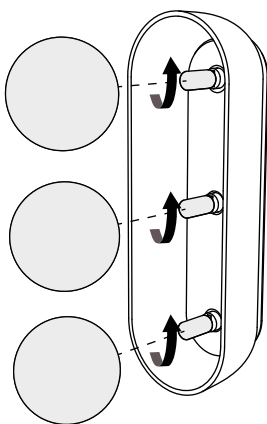
Bulb replacement

Tutorial

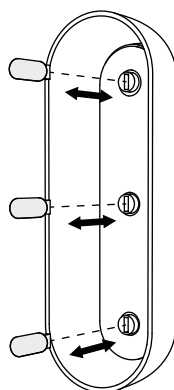
1



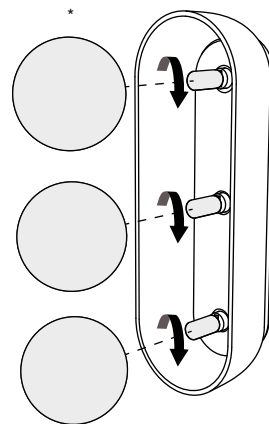
2



3



4



* Align the glass diffuser and screw gently to avoid jamming.



Handle with care, fragile materials.



Use only LED bulb

Installation Guide

Wall Sconce



CAUTION: Turn off the power supply before executing any electrical installation.

We suggest that any electrical work should be performed by a qualified electrician.

Parts included.



Module
(1 pc.)



Glass Diffuser
(3 pcs.)



Brass Cover
(1 pc.)



Screws
(2 pcs.)

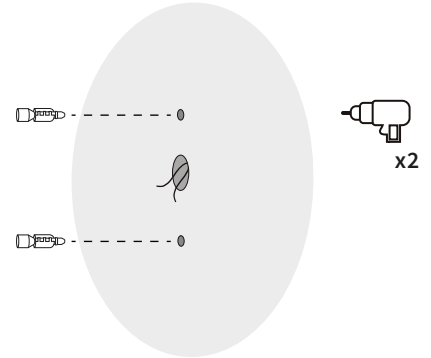


LED Bulb
(3 pcs.)

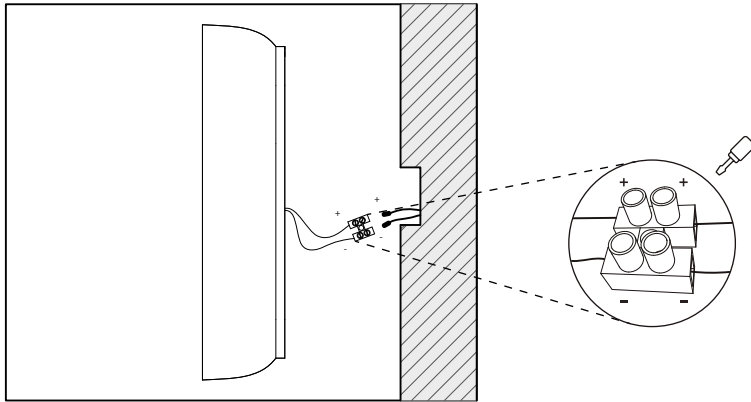


Wall Plugs
(2 pcs.)

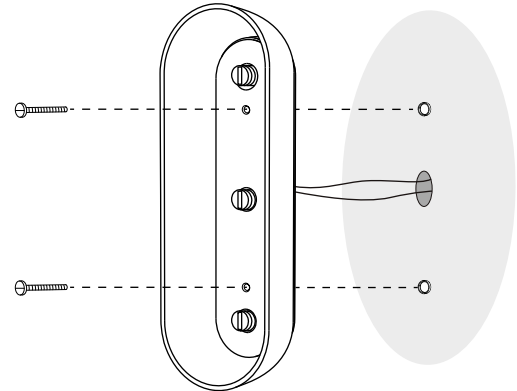
1 Placement of wall plugs. Before drilling, mark the location of the wall holes according to the module.



2 Connect the wires through the connector.

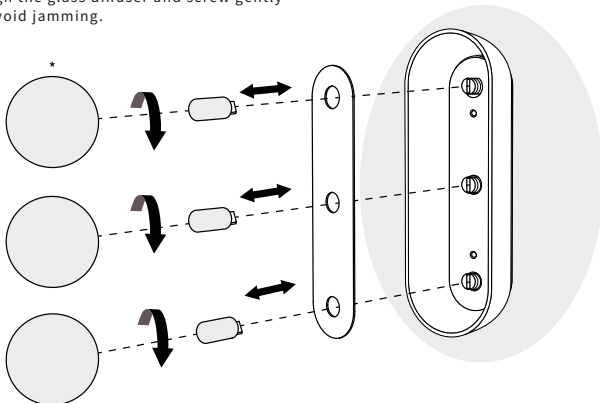


3 Fix the module to the wall.



4 Put the brass cover followed by the LED Bulbs and Glass Diffusers.

*Align the glass diffuser and screw gently to avoid jamming.



Handle with care, fragile materials.

Bandido creates products that generate harmony and warmth in each space where they are present. We hope you enjoy your new product and exceeds all your expectations.

You can get more information about the maintenance of your product and warranty by scanning the following QR Code.



Light Source

1 x E27 LED bulb 5 W max.
120 V ~ 60 Hz 5 W LED 0.04 A
Included
4.3 Wh

Indoor Use

Distrito Bandido

RFC: DBA200515RT3
Callejón del Cristo 2 - 6A
Col. San José del Puente
C.P. 72150. Puebla, Puebla

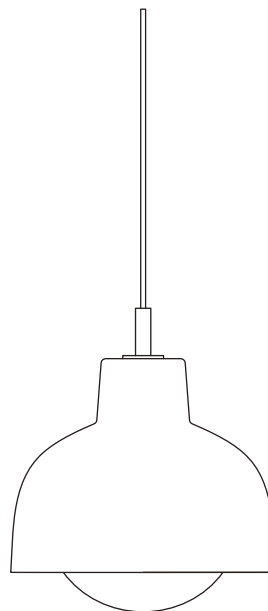
+52 (222) 688 8442
www.bandidostudio.com

B

DBH 02

Pendant Lamp

Instructions

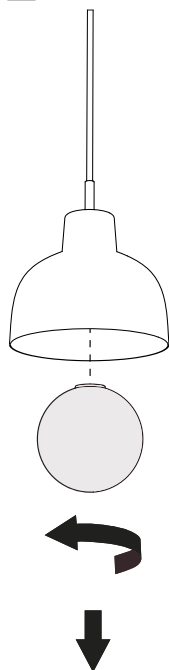


Bandido

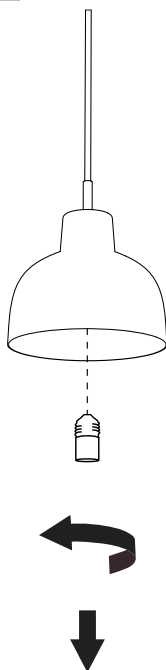
Bulb replacement

Tutorial

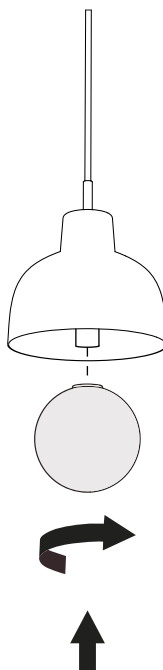
1



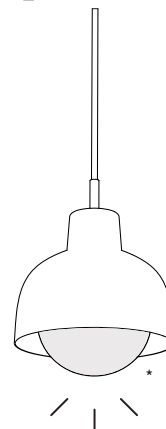
2



3



4



*Align the glass diffuser and screw gently to avoid jamming.



Handle with care, fragile materials.



Use only LED bulb

Installation Guide

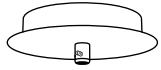
Pendant Lamp



CAUTION: Turn off the power supply before executing any electrical installation.

We suggest that any electrical work should be performed by a qualified electrician.

Parts included.



Canopy
(1 pc.)



Cable Holder "8"
(1 pc.)



Light crossbar
(1 pc.)

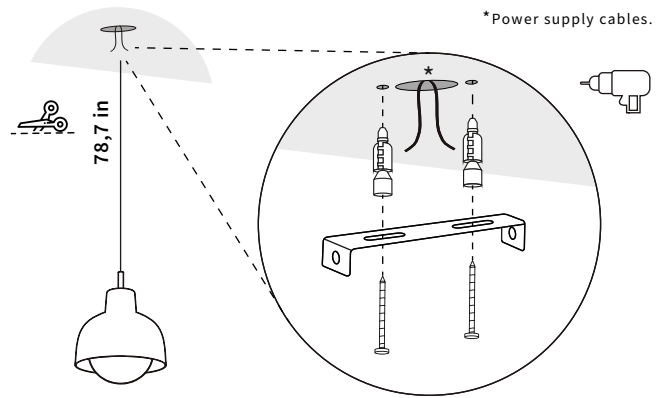


Wall plugs
(2 pcs.)

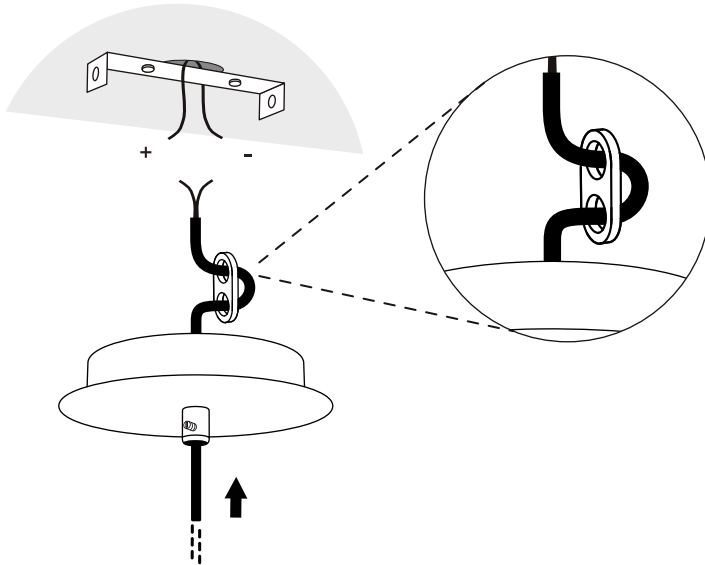


Screws
(2 pcs.)

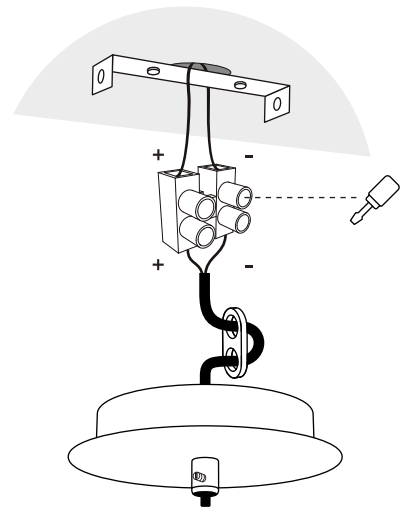
1 Cut the cable to the desired length. Place the wall plugs and fix the light crossbar to the ceiling.



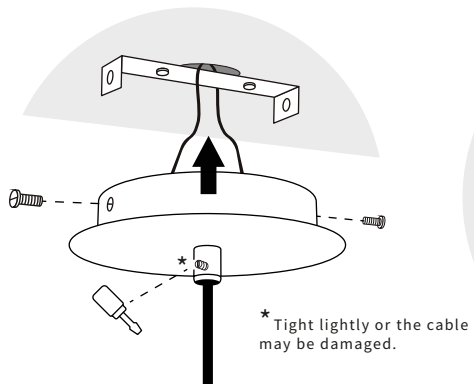
2 Pass the canopy and cable holder "8" through the cable.



3 Connect the wires through the connector.



4 Canopy fastening.



 **Handle with care, fragile materials.**

Bandido creates products that generate harmony and warmth in each space where they are present. We hope you enjoy your new product and exceeds all your expectations.

You can get more information about the maintenance of your product and warranty by scanning the following QR Code.



Light Source

1 x G9 LED COB Bulb 2.5 W max.
120 V - 60 Hz 2.5 W LED 0.02 A
Included
2.5 Wh

Indoor use

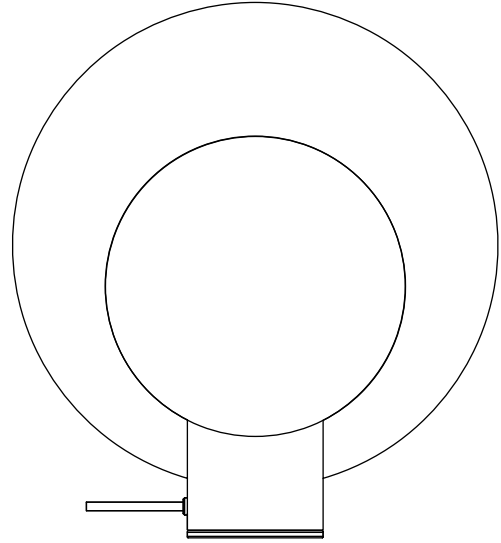
Distrito Bandido

RFC: DBA200515RT3
Callejón del Cristo 2 - 6A
Col. San José del Puente
C.P. 72150. Puebla, Puebla

+52 (222) 688 8442
www.bandidostudio.com

B AURA

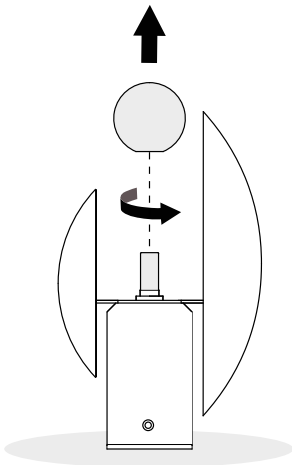
Table Lamp Instructions



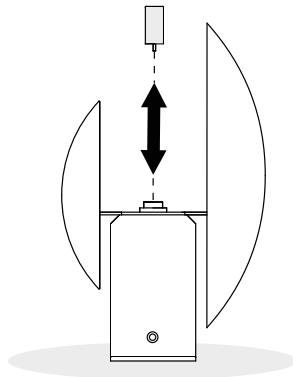
Bandido

Bulb replacement Tutorial

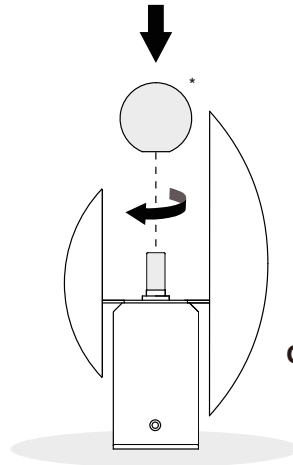
1



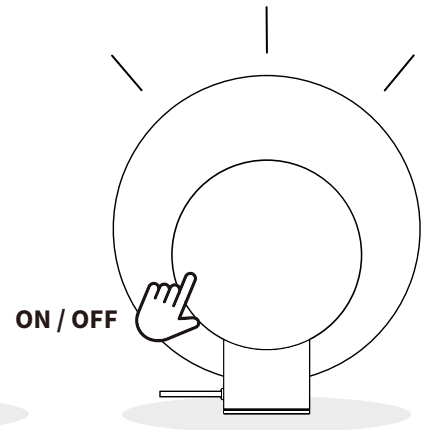
2



3




4



*Align the glass diffuser and screw gently to avoid jamming.

 Handle with care, fragile materials.

 Use only LED bulb

Installation Guide

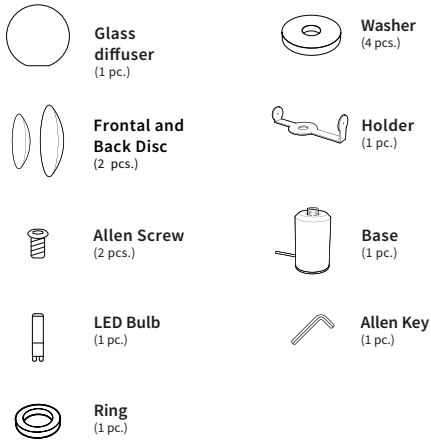
Table Lamp

We suggest that any electrical work should be performed by a qualified electrician.

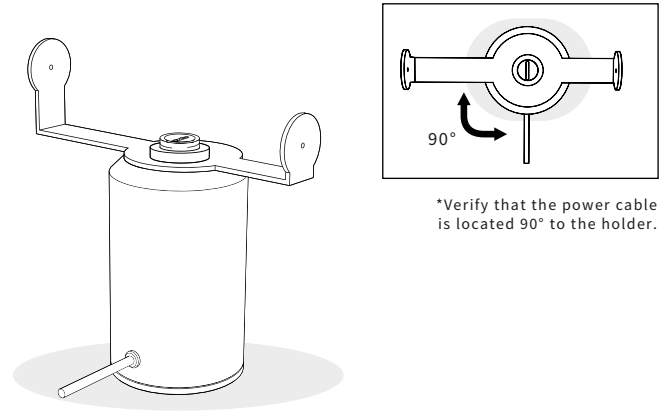


CAUTION: Turn off the power supply before executing any electrical installation.

Parts included.

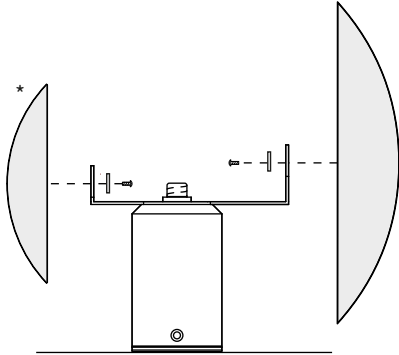


1 Place the holder on top of the base and fix it with the ring.

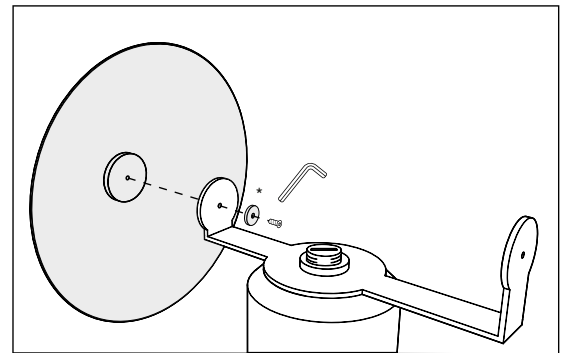


2 Fix discs on holder.

*Place the discs on holder according to this illustration.

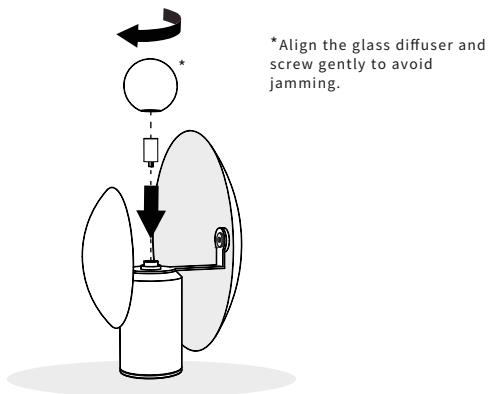


Whether or not to use washers depends on the adjustment needed for the discs.

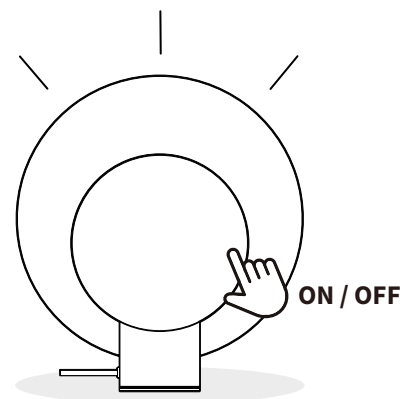


*Place the washer between the screw and the holder to adjust the assembly.

3 Place the bulb and diffuser.



4 Switch on.



Handle with care, fragile materials.

B

Bandido creates products that generate harmony and warmth in each space where they are present. We hope you enjoy your new product and exceeds all your expectations.

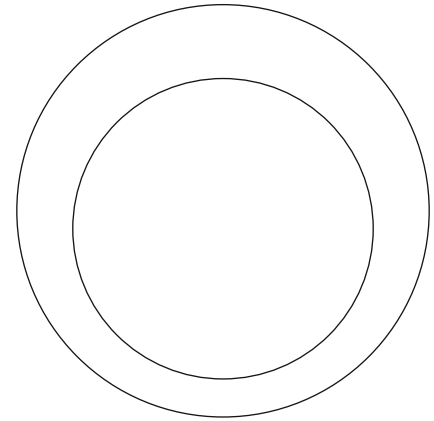
You can get more information about the maintenance of your product and warranty by scanning the following **QR Code**.



B AURA

Wall Sconce

Instructions



Light Source

1 x G9 LED bulb 7 W max.
120 V - 60 Hz 7 W LED 0.05 A.
Included
7 Wh

Indoor use

Distrito Bandido

RFC: DBA200515RT3
Callejón del Cristo 2 - 6A
Col. San José del Puente
C.P. 72150. Puebla, Puebla

+52 (222) 688 8442

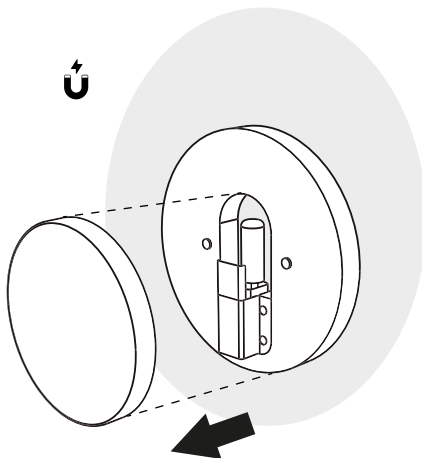
www.bandidostudio.com

Bandido

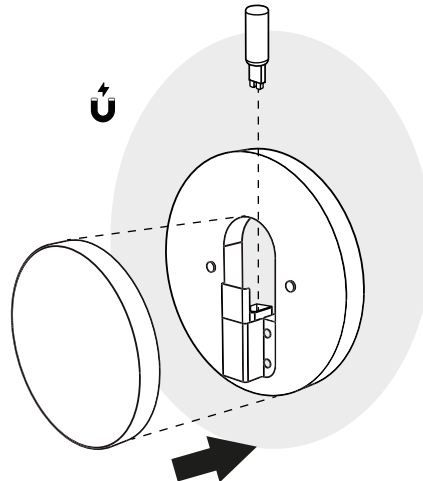
Bulb replacement

Tutorial

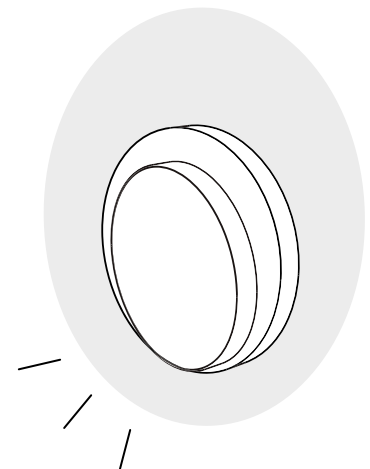
1



2



3



Handle with care, fragile materials.



Use only LED bulb

Installation Guide

Wall Sconce



CAUTION: Turn off the power supply before executing any electrical installation.

We suggest that any electrical work should be performed by a qualified electrician.

Parts included.



Wood Body
(1 pc.)



Steel disc
(1 pc.)

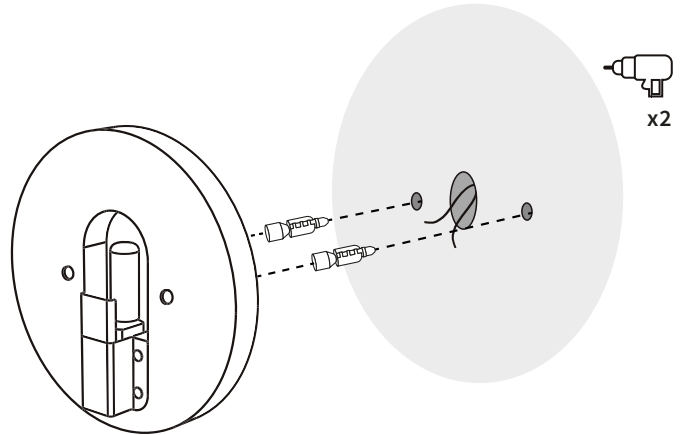


LED Bulb
(1 pc.)

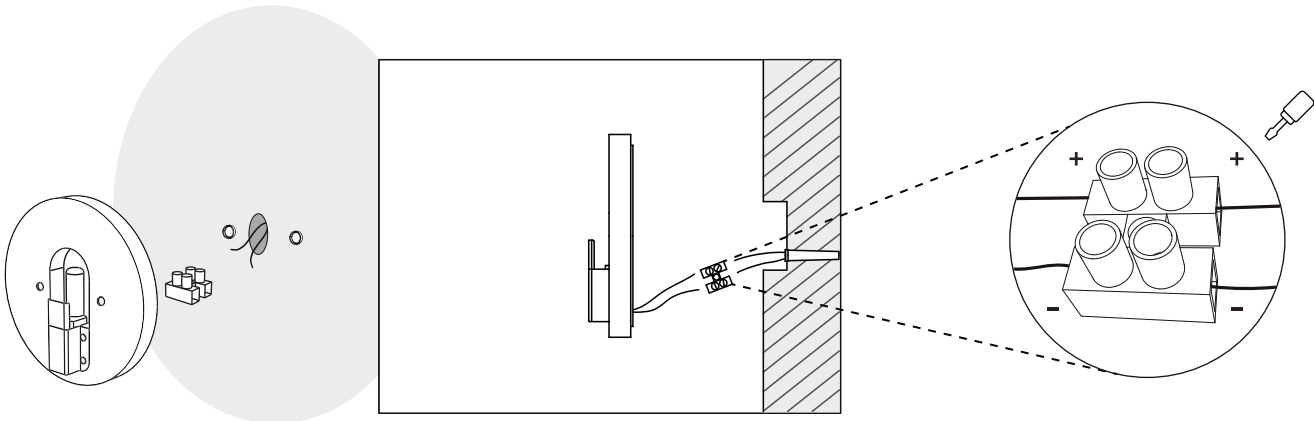


Screws and wall plugs
(2 pcs. of each)

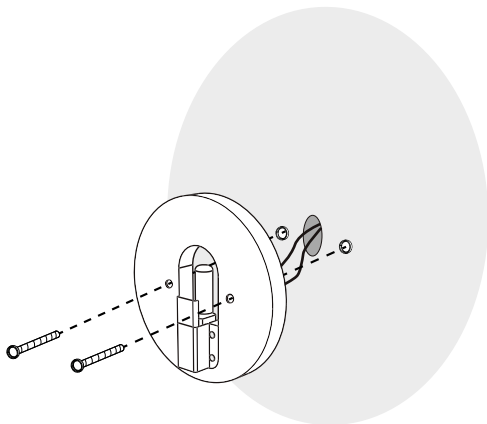
1 Placement of the wall plugs. Before drilling, mark the location of the screws according to the **Wood Body**.



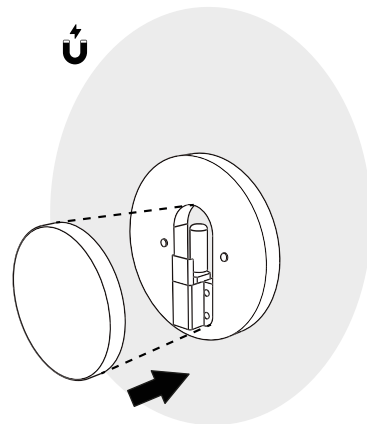
2 Connect the wires through the connector.



3 Fix the Wood Body to the wall.



4 Steel disc placement.



Handle with care, fragile materials.

B

Bandido creates products that generate harmony and warmth in each space where they are present. We hope you enjoy your new product and exceeds all your expectations.

You can get more information about the maintenance of your product and warranty by scanning the following **QR Code**.



Light Source

1 x G9 LED bulb 5 W max.
120 V - 60 Hz 5 W LED 0.03 A.
Included
5 Wh

Indoor use

Distrito Bandido

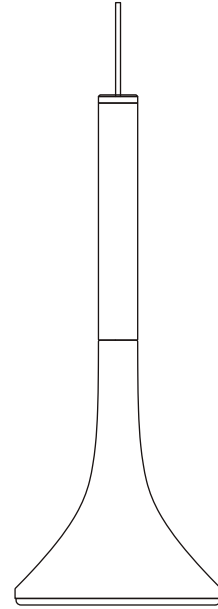
RFC: DBA200515RT3
Callejón del Cristo 2 - 6A
Col. San José del Puente
C.P. 72150. Puebla, Puebla

+52 (222) 688 8442
www.bandidostudio.com

B AURA

Pendant Lamp

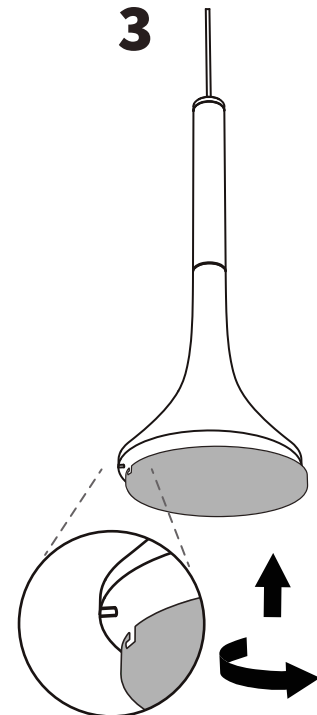
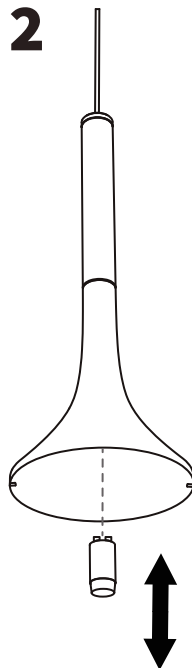
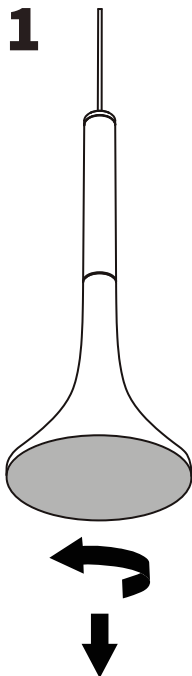
Instructions




Bandido

Bulb replacement

Tutorial



 Handle with care, fragile materials.

 Use only LED bulb

Installation Guide

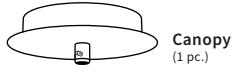
Pendant Lamp



CAUTION: Turn off the power supply before executing any electrical installation.

We suggest that any electrical work should be performed by a qualified electrician.

Parts included.



Canopy
(1 pc.)



Light crossbar
(1 pc.)

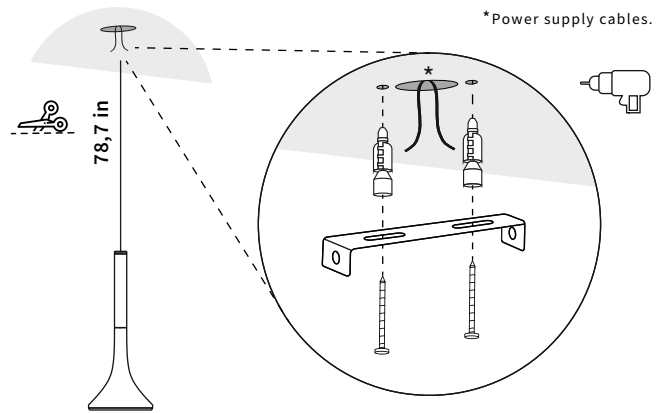


Wall plugs
(2 pcs.)

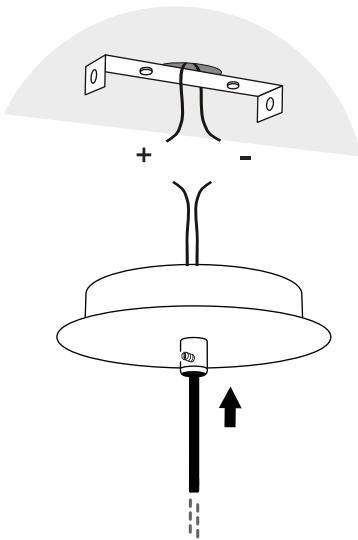


Screws
(2 pcs.)

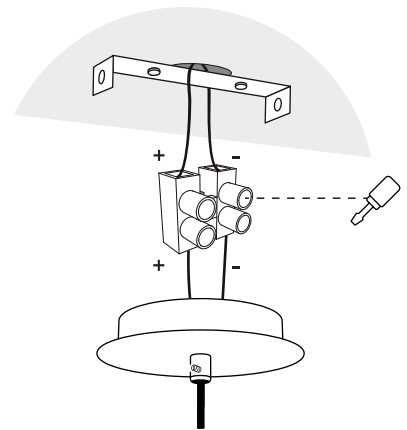
1 Cut the cable to the desired length. Place the wall plugs and fix the light crossbar to the ceiling.



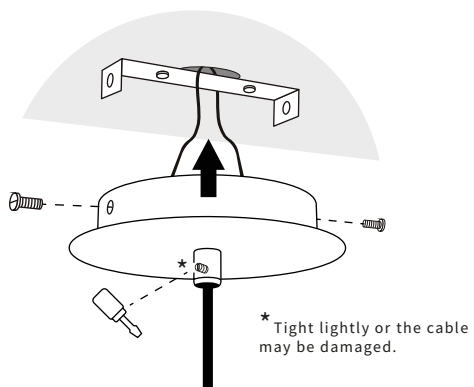
2 Pass the cable through the canopy.



3 Connect the wires through the connector.



4 Canopy fastening.



Handle with care, fragile materials.

Bandido creates products that generate harmony and warmth in each space where they are present. We hope you enjoy your new product and exceeds all your expectations.

You can get more information about the maintenance of your product and warranty by scanning the following **QR Code**.



Light source

1 x E27 LED bulb 8.5 W max.
120 V - 60 Hz 8.5 W LED 0.07 A.
Included
8.5 Wh

Indoor use

Distrito Bandido

RFC: DBA200515RT3
Callejón del Cristo 2 - 6A
Col. San José del Puente
C.P. 72150. Puebla, Puebla

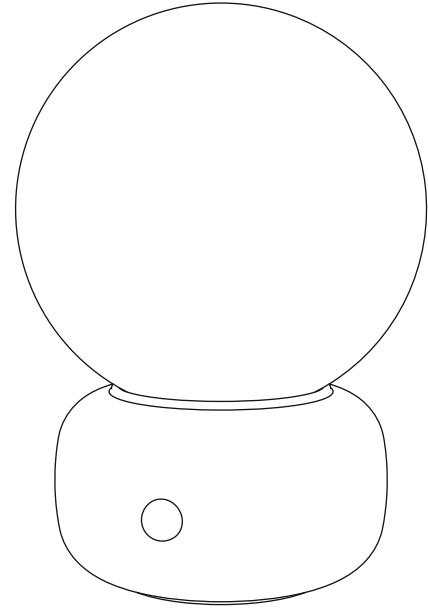
+52 (222) 688 8442

www.bandidostudio.com

B NAGA

Table Lamp

Instructions

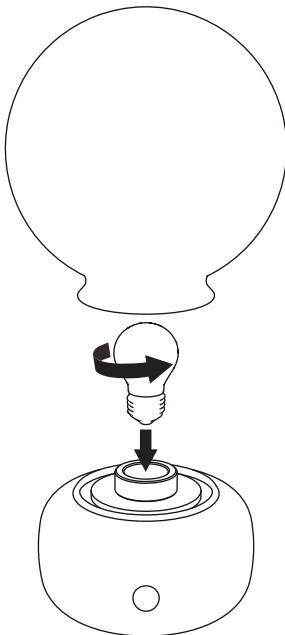


Bandido

Bulb replacement

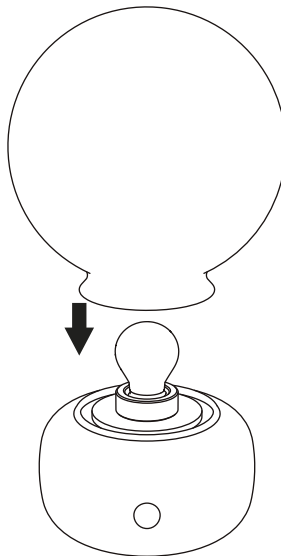
Tutorial

1



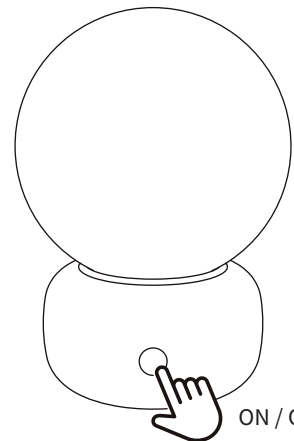
2

Press lightly until it touches the marble body.



3

After placing the glass diffuser, connect the lamp to the power supply.



Handle with care, fragile materials.



Use only LED bulb

Bandido creates products that generate harmony and warmth in each space where they are present. We hope you enjoy your new product and exceeds all your expectations.

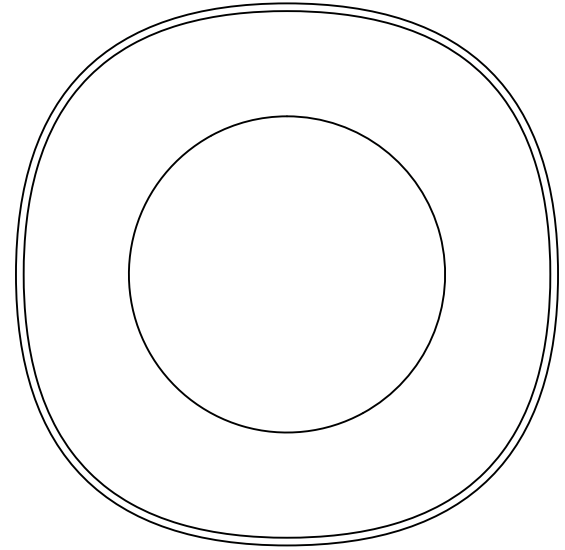
You can get more information about the maintenance of your product and warranty by scanning the following **QR Code**.



B NAGA

Wall Sconce

Instructions



Distrito Bandido

RFC: DBA200515RT3
Callejón del Cristo 2 - 6A
Col. San José del Puente
C.P. 72150. Puebla, Puebla

+52 (222) 688 8442
www.bandidostudio.com

Light source

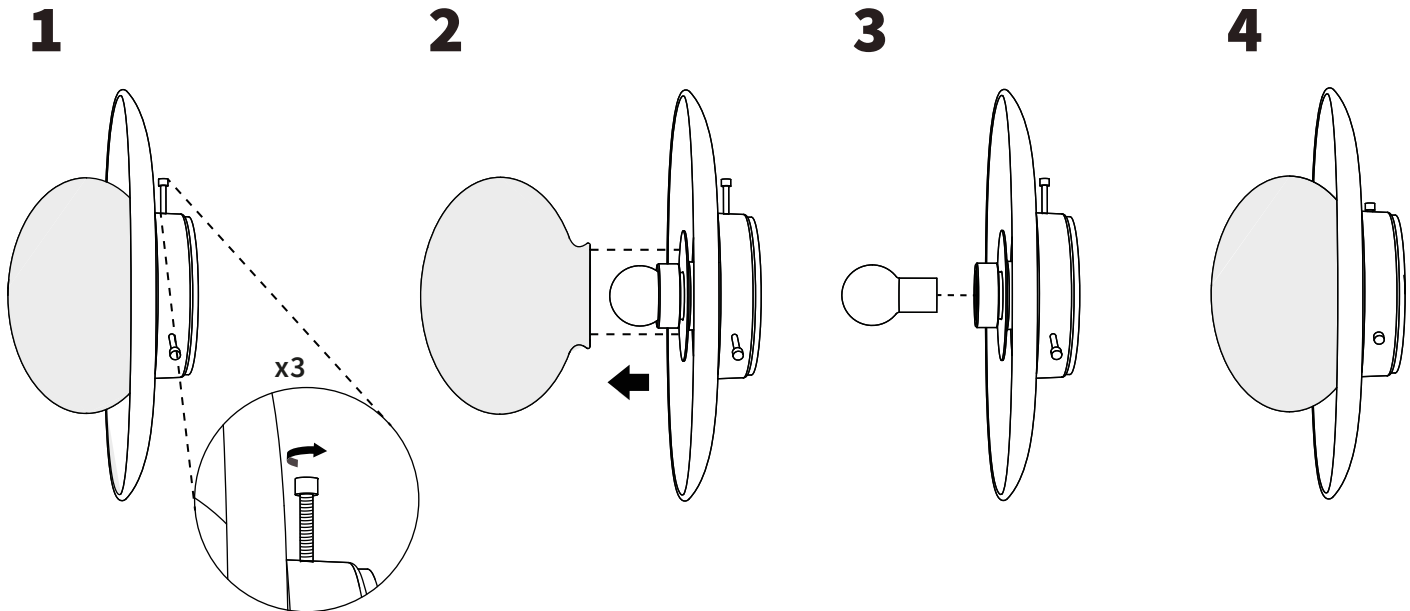
1 x E27 LED bulb 5 W max.
120 V - 60 Hz 5 W LED 0.04 A
Included
4.3 Wh

Indoor use

Bandido

Bulb replacement

Tutorial



Handle with care, fragile materials.



Use only LED bulb

Installation Guide

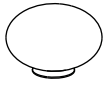
Wall Sconce



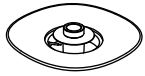
CAUTION: Turn off the power supply before executing any electrical installation.

We suggest that any electrical work should be performed by a qualified electrician.

Parts included.



Glass diffuser
(1 pc.)



Marble body
(1 pc.)

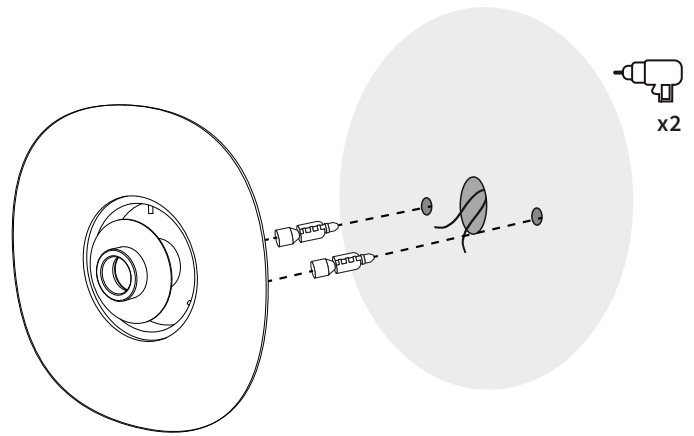


LED Bulb
(1 pc.)

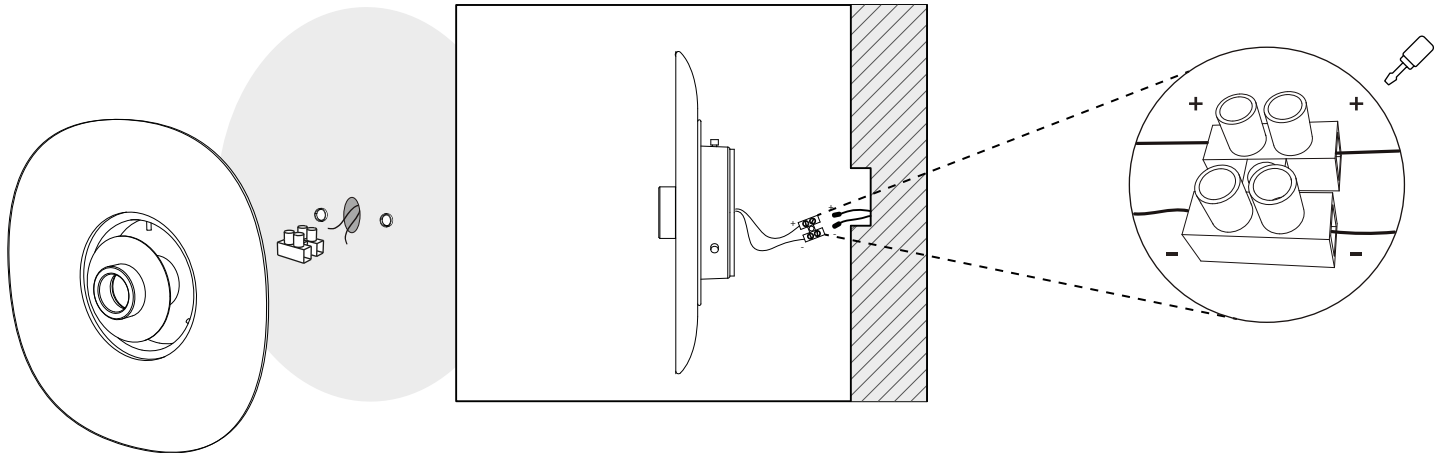


Screws and wall plugs
(2 pcs. of each)

1 Placement of wall plugs. Before drilling, mark the location of the screws according to the **Marble Body**.

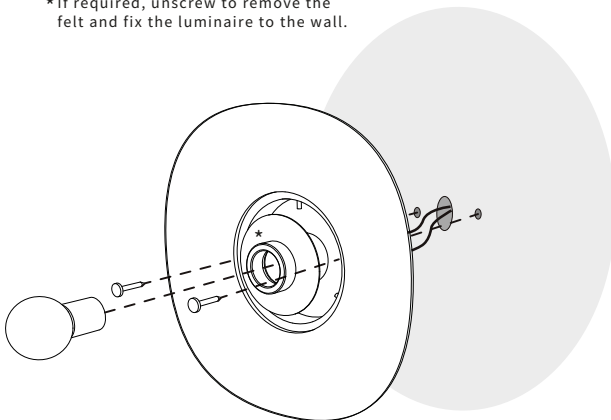


2 Connect the wires through the connector.

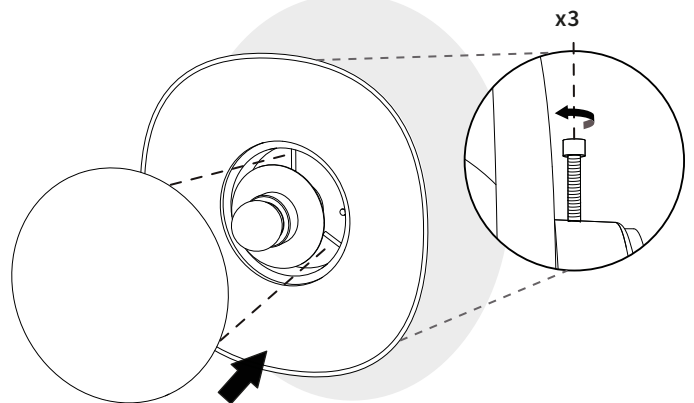


3 Fix the lamp to the wall and place the LED Bulb.

*If required, unscrew to remove the felt and fix the luminaire to the wall.



4 Place the glass diffuser and tighten the screws with your hand.



 **Handle with care, fragile materials.**

 **TIGHT CAREFULLY, THE GLASS DIFFUSER CAN BREAK EASILY.**

B

Bandido creates products that generate harmony and warmth in each space where they are present. We hope you enjoy your new product and exceeds all your expectations.

You can get more information about the maintenance of your product and warranty by scanning the following QR Code.



Light source

1 x E27 LED bulb 5 W max.
120 V - 60 Hz 5 W LED 0.04 A
Included
4.3 Wh

Indoor use

Distrito Bandido

RFC: DBA200515RT3
Callejón del Cristo 2 - 6A
Col. San José del Puente
C.P. 72150. Puebla, Puebla

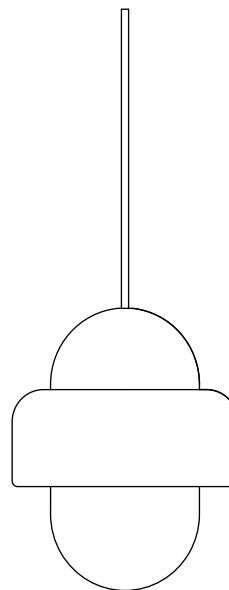
+52 (222) 688 8442
www.bandidostudio.com

B

NAGA

Pendant Lamp

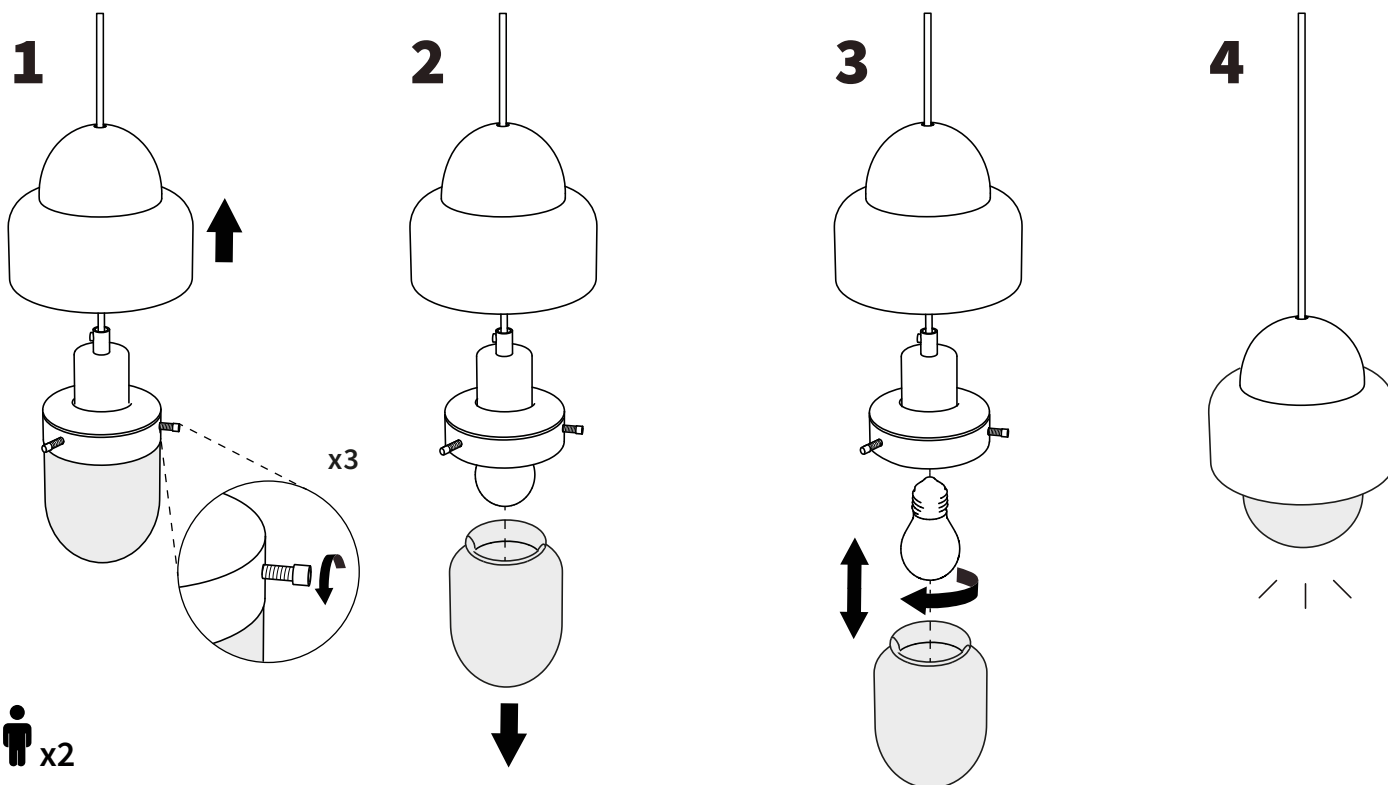
Instructions



Bandido

Bulb replacement

Tutorial



Handle with care, fragile materials.



Use only LED bulb

Installation Guide

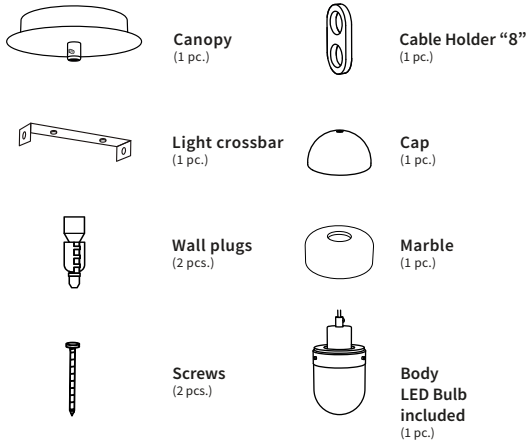
Pendant Lamp



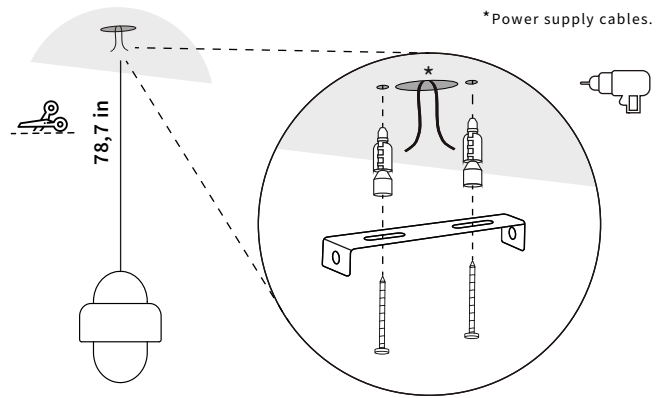
CAUTION: Turn off the power supply before executing any electrical installation.

We suggest that any electrical work should be performed by a qualified electrician.

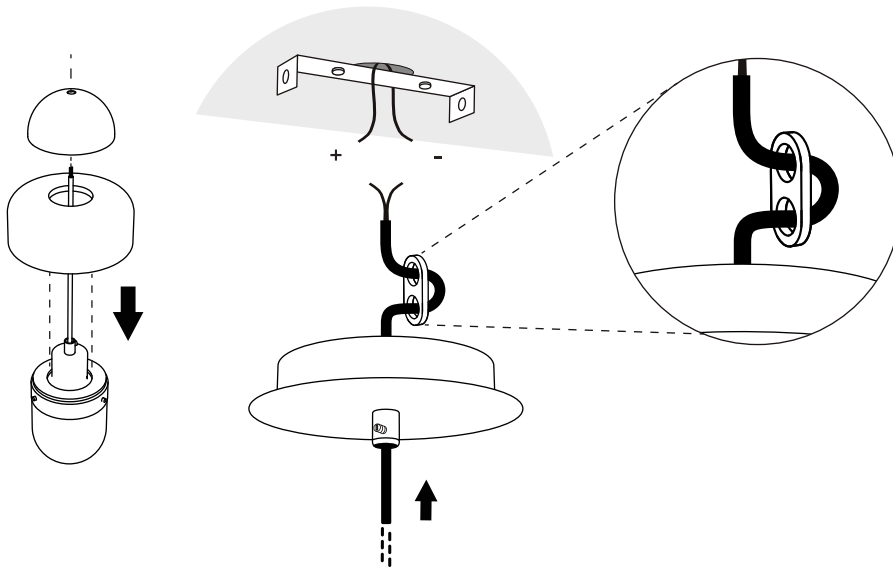
Parts included.



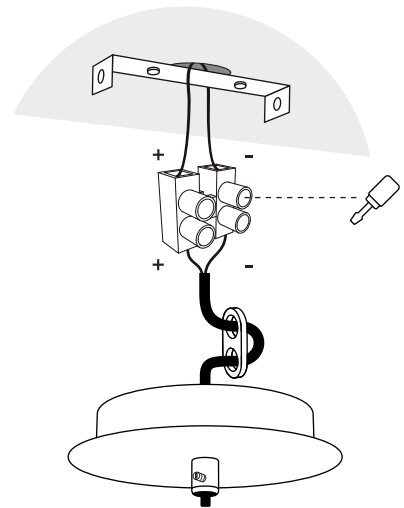
1 Cut the cable to the desired length. Place the wall plugs and fix the light crossbar to the ceiling.



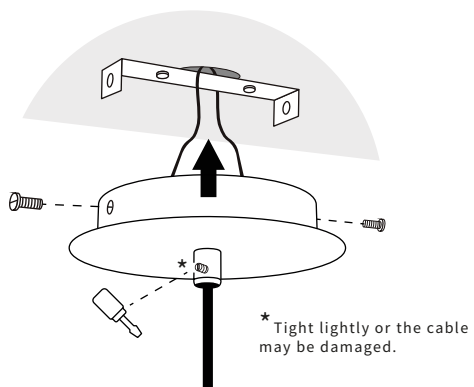
2 Pass the marble, cap, canopy and cable holder "8" through the cable.



3 Connect the wires through the connector.



4 Canopy fastening.



Handle with care, fragile materials.

Bandido creates products that generate harmony and warmth in each space where they are present. We hope you enjoy your new product and exceeds all your expectations.

You can get more information about the maintenance of your product and warranty by scanning the following QR Code.



Light source

1 x E27 LED bulb 8 W max.
120 V - 60 Hz 8 W LED 0.06 A.
Included
8 Wh

Indoor use

Distrito Bandido

RFC: DBA200515RT3
Callejón del Cristo 2 - 6A
Col. San José del Puente
C.P. 72150. Puebla, Puebla

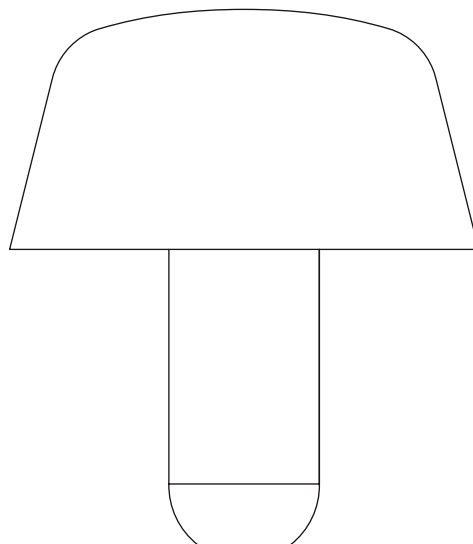
+52 (222) 688 8442

www.bandidostudio.com

B BUNA

Table Lamp

Instructions

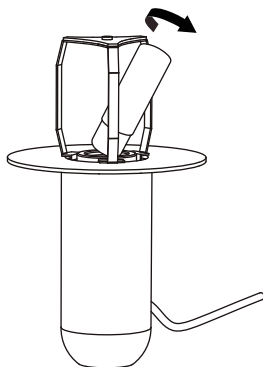


Bandido

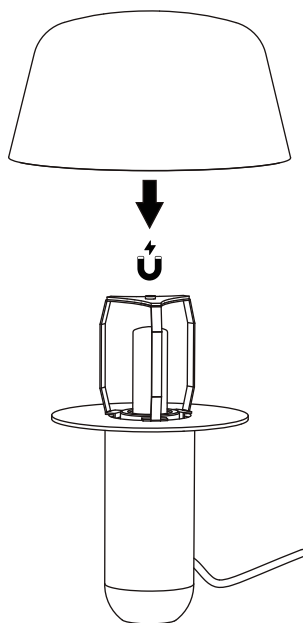
Bulb replacement

Tutorial

1

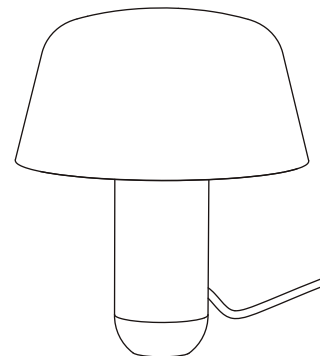


2



3

After placing the metal lamp shade, connect the lamp to the power supply.



Handle with care, fragile materials.



Use only LED bulb

Bandido creates products that generate harmony and warmth in each space where they are present. We hope you enjoy your new product and exceeds all your expectations.

You can get more information about the maintenance of your product and warranty by scanning the following **QR Code**.



Light Source

3 x LED module 7 W
120 V ~ 60 Hz 7 W LED 0.05 A
Included

Indoor use

Distrito Bandido

RFC: DBA200515RT3
Callejón del Cristo 2 - 6A
Col. San José del Puente
C.P. 72150. Puebla, Puebla

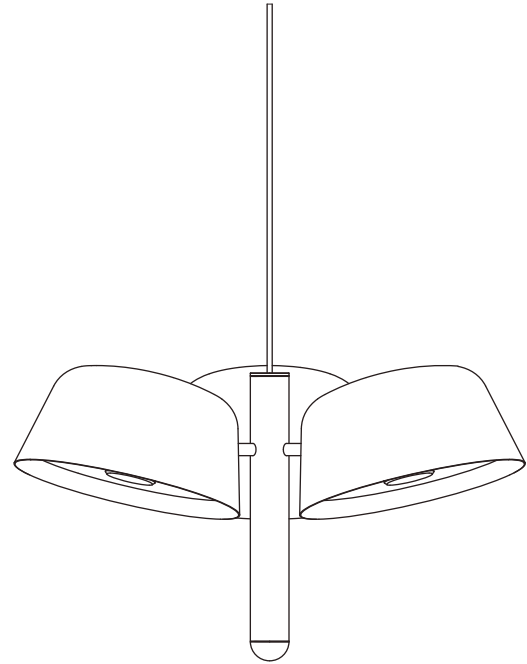
+52 (222) 688 8442
www.bandidostudio.com

B

BUNA

Pendant Lamp

Instructions



Bandido

Indications of use

1 Unpack carefully. The materials are brittle and can get damaged easily.

2 Follow instructions on back of sheet for installation of this product.

Spare parts

- To replace the LED module, contact Bandido directly.



Handle with care, fragile materials.



Use only LED bulb

Installation Guide

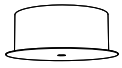
Pendant Lamp



CAUTION: Turn off the power supply before executing any electrical installation.

We suggest that any electrical work should be performed by a qualified electrician.

Partes incluidas.



Canopy
(1 pc.)



Cable Holder
"8"



Fastener
(1 pc.)



Plate with hook
(1 pc.)

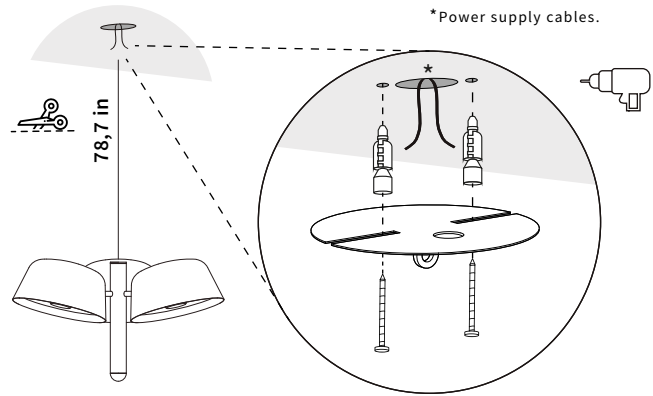


Wall plugs
(2 pcs.)

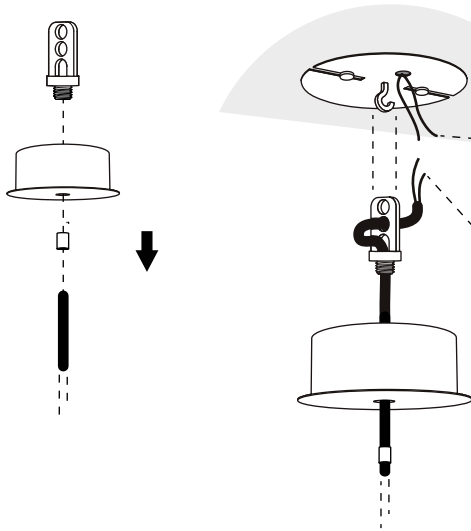


Screws
(2 pcs.)

1 Cut the cable to the desired length. Place the wall plugs and fix the plate with the screws to the ceiling.



2 Pass the fastener, canopy and cable holder "8" through the cable, then hang it on to the hook.

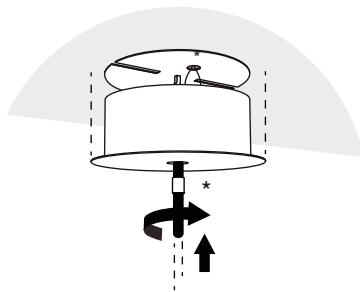


3 Connect the wires.

The installation should be done by two people.



4 Canopy fastening.



*Screw fastener lightly until the canopy is secure.



Handle with care, fragile materials.

B

Bandido creates products that generate harmony and warmth in each space where they are present. We hope you enjoy your new product and exceeds all your expectations.

You can get more information about the maintenance of your product and warranty by scanning the following **QR Code**.



Light source

1 x G9 LED bulb 6 W max.
120 V ~ 60 Hz 6 W LED 0.06 A
Included
6 Wh

Indoor use

Distrito Bandido

RFC: DBA200515RT3
Callejón del Cristo 2 - 6A
Col. San José del Puente
C.P. 72150. Puebla, Puebla

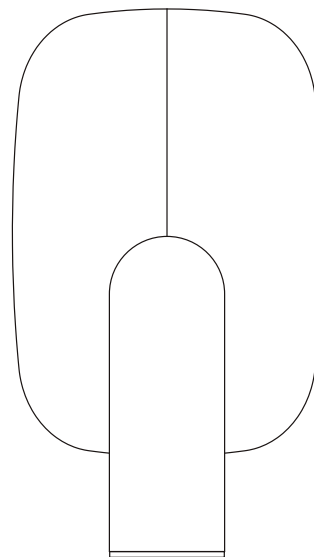
+52 (222) 688 8442
www.bandidostudio.com

B

BO

Table Lamp

Instructions

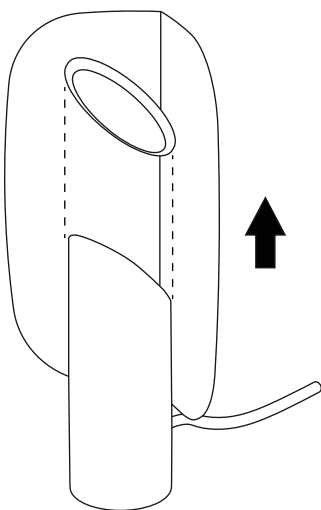


Bandido

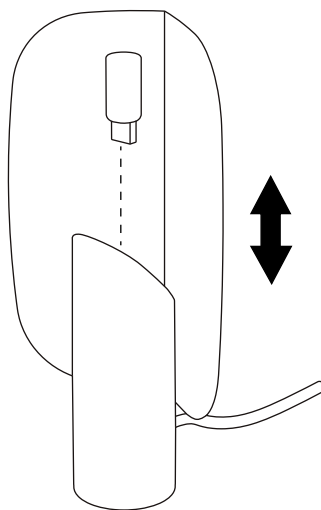
Bulb replacement

Tutorial

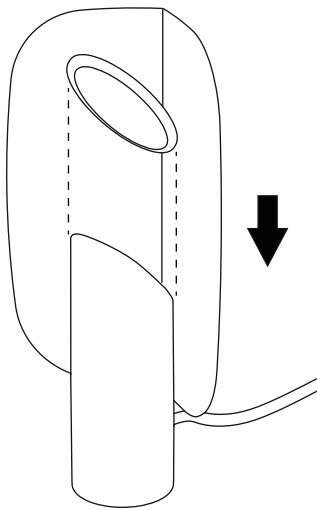
1



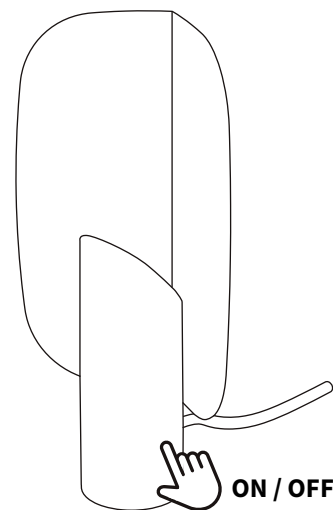
2



3



4



Handle with care, fragile materials.



Use only LED bulb

Bandido creates products that generate harmony and warmth in each space where they are present. We hope you enjoy your new product and exceeds all your expectations.

You can get more information about the maintenance of your product and warranty by scanning the following **QR Code**.



Light source

1 x E27 LED bulb 4 W max.
100 - 240 V ~ 60 Hz 4 W LED 0.02 - 0.04 A
Included
4 Wh

Indoor use

Distrito Bandido

RFC: DBA200515RT3
Callejón del Cristo 2 - 6A
Col. San José del Puente
C.P. 72150. Puebla, Puebla

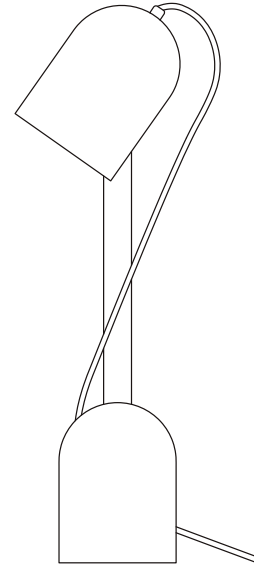
+52 (222) 688 8442
www.bandidostudio.com

B

CTR02

Table Lamp

Instructions

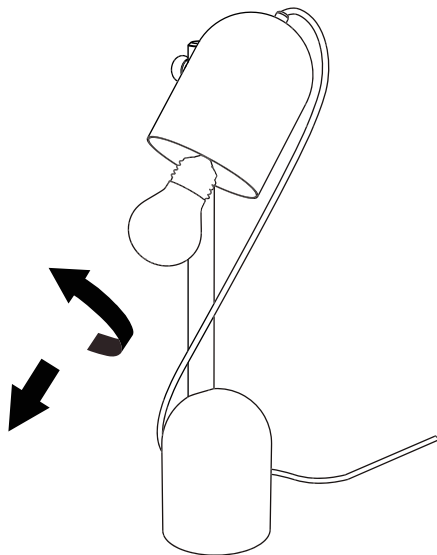


Bandido

Bulb replacement

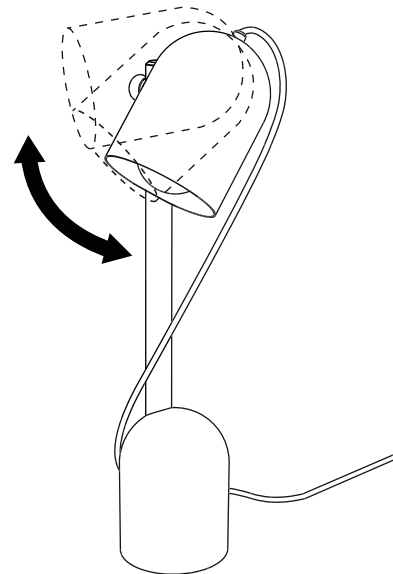
Tutorial

1




2

Adjust the upper bolt to rotate the metal lamp shade.



 **Handle with care, fragile materials.**

 **Use only LED bulb**

Bandido creates products that generate harmony and warmth in each space where they are present. We hope you enjoy your new product and exceeds all your expectations.

You can get more information about the maintenance of your product and warranty by scanning the following QR Code.



Light Source

1 x E27 LED bulb 5 W max.
120 V - 60 Hz 5 W LED 0.04 A
Included
4.3 Wh

Indoor Use

Distrito Bandido

RFC: DBA200515RT3
Callejón del Cristo 2 - 6A
Col. San José del Puente
C.P. 72150. Puebla, Puebla

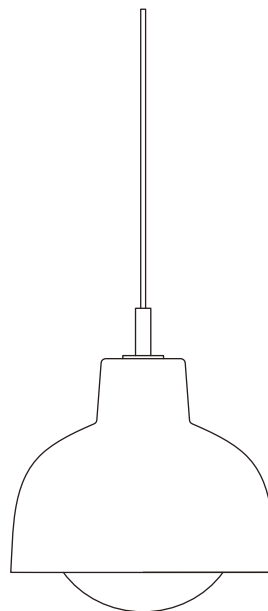
+52 (222) 688 8442
www.bandidostudio.com

B

DBH

Pendant Lamp

Instructions

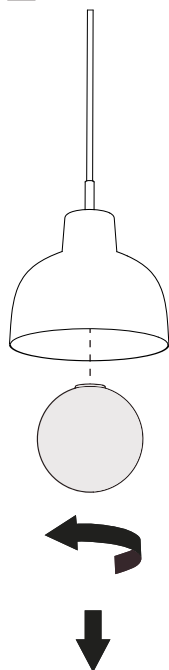


Bandido

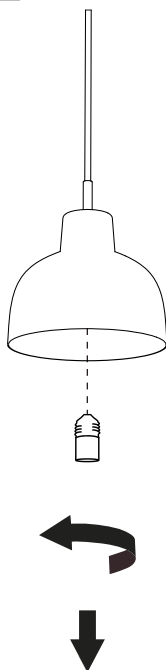
Bulb replacement

Tutorial

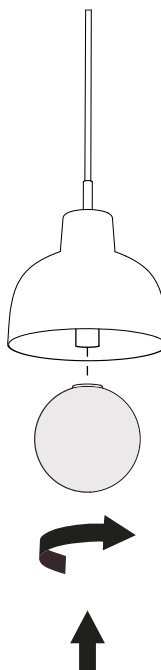
1



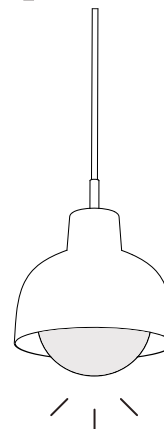
2



3



4



Handle with care, fragile materials.



Use only LED bulb

Installation Guide

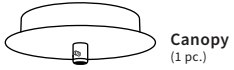
Pendant Lamp



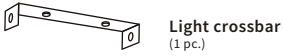
CAUTION: Turn off the power supply before executing any electrical installation.

We suggest that any electrical work should be performed by a qualified electrician.

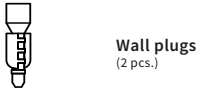
Parts included.



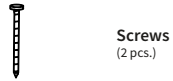
Canopy
(1 pc.)



Light crossbar
(1 pc.)

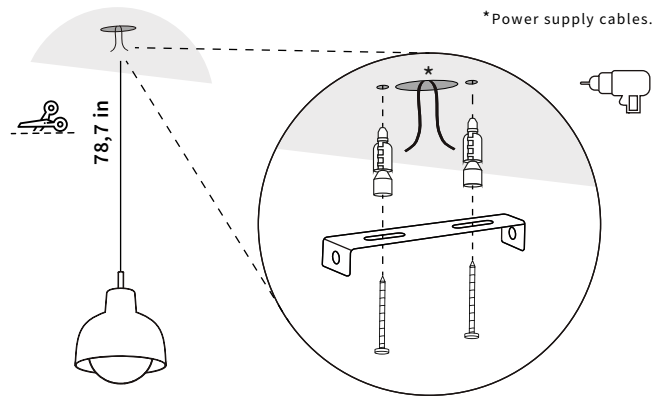


Wall plugs
(2 pcs.)

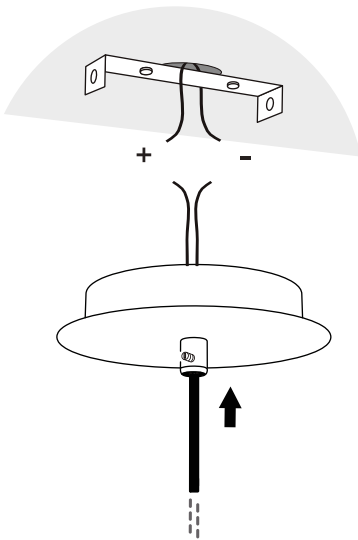


Screws
(2 pcs.)

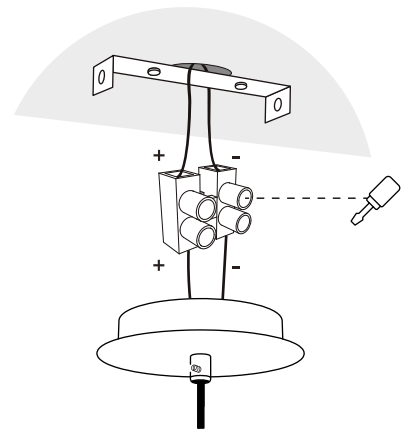
1 Cut the cable to the desired length. Place the wall plugs and fix the light crossbar to the ceiling.



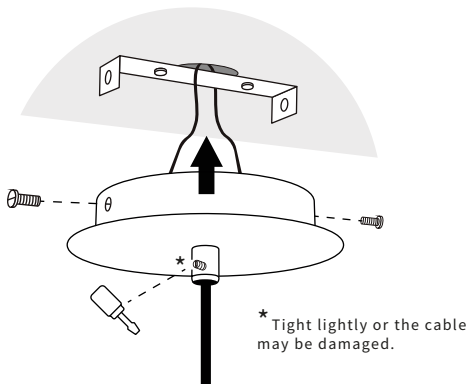
2 Pass the cable through the canopy.



3 Connect the wires through the connector.



4 Canopy fastening.



Handle with care, fragile materials.

Bandido creates products that generate harmony and warmth in each space where they are present. We hope you enjoy your new product and exceeds all your expectations.

You can get more information about the maintenance of your product and warranty by scanning the following **QR Code**.



NOTE. This installation guide only applies to the CTR01 B Black lamp.

Light Source

1 x G9 LED bulb 6 W max.
120 V ~ 60 Hz 6 W LED 0.04 A
Included
6 Wh

Indoor use

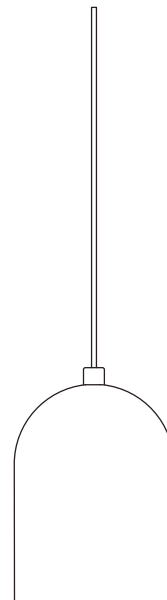
Distrito Bandido

RFC: DBA200515RT3
Callejón del Cristo 2 - 6A
Col. San José del Puente
C.P. 72150. Puebla, Puebla

+52 (222) 688 8442
www.bandidostudio.com

B CTR01 B

Pendant Lamp Instructions

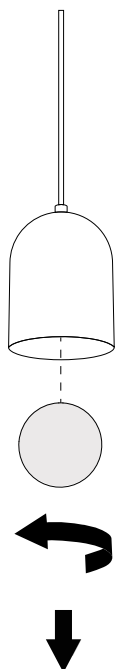


Bandido

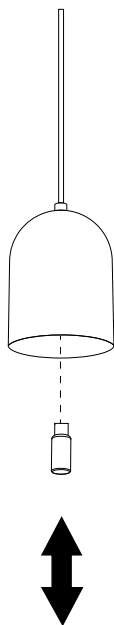
Bulb replacement

Tutorial

1

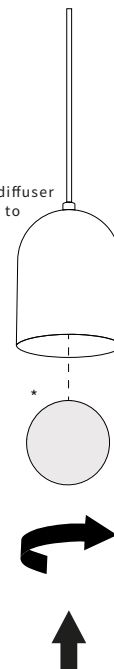


2



3

*Align the glass diffuser and screw gently to avoid jamming.



Handle with care, fragile materials.



Use only LED bulb

Installation Guide

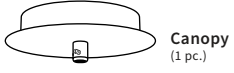
Pendant Lamp



CAUTION: Turn off the power supply before executing any electrical installation.

We suggest that any electrical work should be performed by a qualified electrician.

Parts included.



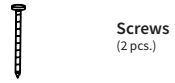
Canopy
(1 pc.)



Light crossbar
(1 pc.)

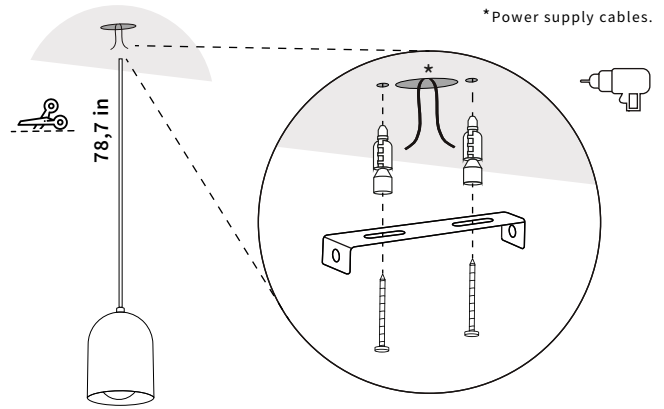


Wall plugs
(2 pcs.)

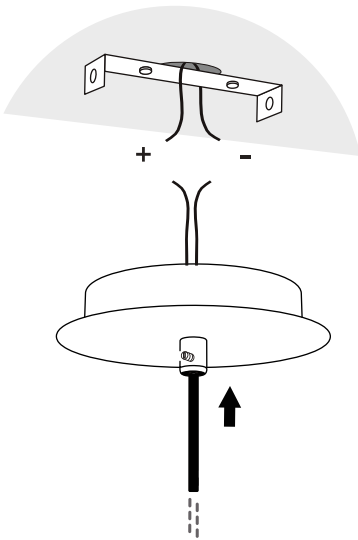


Screws
(2 pcs.)

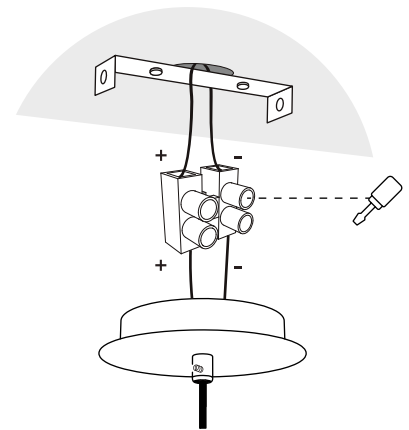
1 Cut the cable to the desired length. Place the wall plugs and fix the light crossbar to the ceiling.



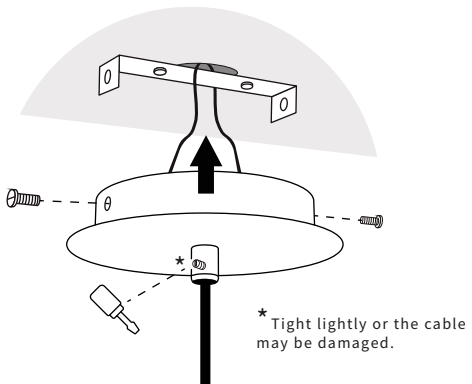
2 Pass the cable through the canopy.



3 Connect the wires through the connector.



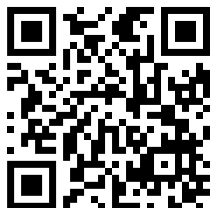
4 Canopy fastening.



Handle with care, fragile materials.

Bandido creates products that generate harmony and warmth in each space where they are present. We hope you enjoy your new product and exceeds all your expectations.

You can get more information about the maintenance of your product and warranty by scanning the following **QR Code**.



NOTE. This installation guide only applies to the CTR01 B Black Chrome & CTR01 B Brushed Copper.

Light Source

1 x E27 LED bulb 8.8 W max.
120 V ~ 60 Hz 8.8 W LED 0.07 A
Included
8.8 Wh

Indoor use

Distrito Bandido

RFC: DBA200515RT3
Callejón del Cristo 2 - 6A
Col. San José del Puente
C.P. 72150. Puebla, Puebla

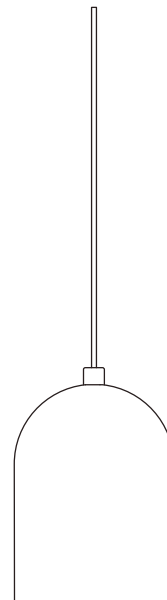
+52 (222) 688 8442
www.bandidostudio.com

B

CTR01 B

Pendant Lamp

Instructions

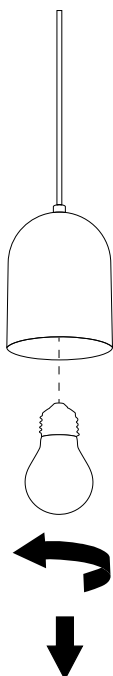


Bandido

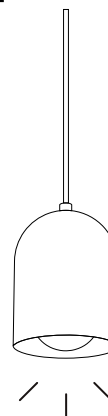
Bulb replacement

Tutorial

1



2



Handle with care, fragile materials.



Use only LED bulb

Installation Guide

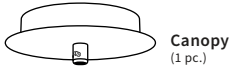
Pendant Lamp



CAUTION: Turn off the power supply before executing any electrical installation.

We suggest that any electrical work should be performed by a qualified electrician.

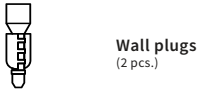
Parts included.



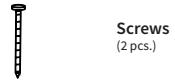
Canopy
(1 pc.)



Light crossbar
(1 pc.)

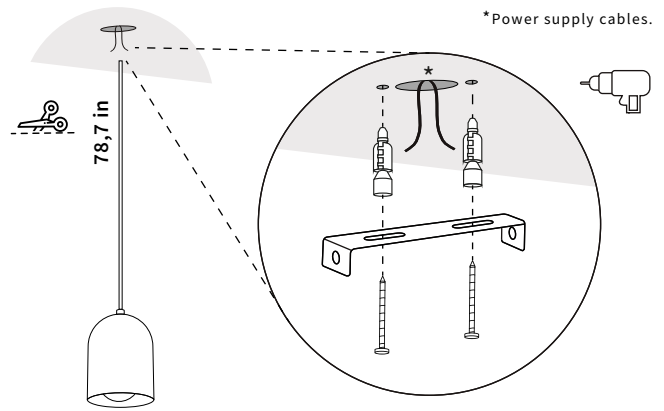


Wall plugs
(2 pcs.)

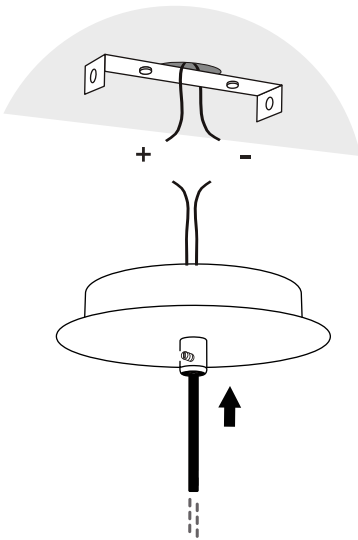


Screws
(2 pcs.)

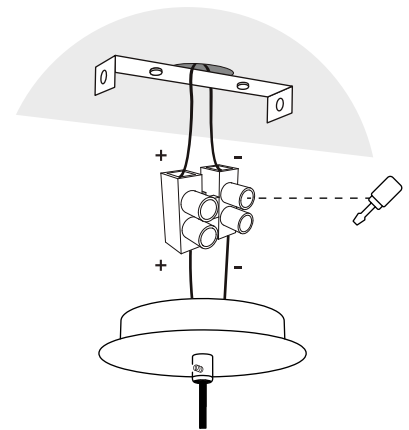
1 Cut the cable to the desired length. Place the wall plugs and fix the light crossbar to the ceiling.



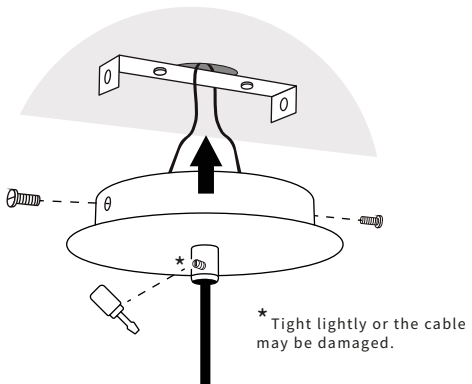
2 Pass the cable through the canopy.



3 Connect the wires through the connector.



4 Canopy fastening.



Handle with care, fragile materials.

Bandido creates products that generate harmony and warmth in each space where they are present. We hope you enjoy your new product and exceeds all your expectations.

You can get more information about the maintenance of your product and warranty by scanning the following **QR Code**.



Light Source

1 x E27 LED bulb 4.5 W max.
120 V - 60 Hz 4.5 W LED 0.06 A.
Included
4.5 Wh

Indoor use

Distrito Bandido

RFC: DBA200515RT3
Callejón del Cristo 2 - 6A
Col. San José del Puente
C.P. 72150. Puebla, Puebla

+52 (222) 688 8442

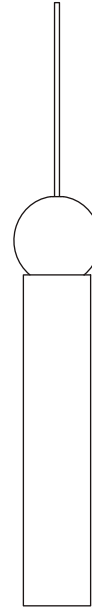
www.bandidostudio.com

B

PERLA

Pendant Lamp

Instructions

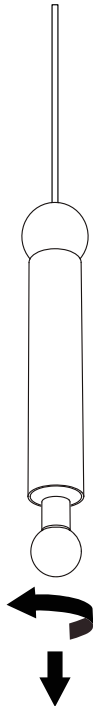


Bandido

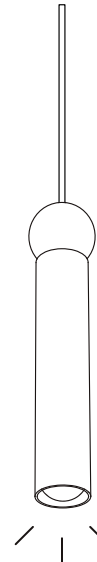
Bulb replacement

Tutorial

1



2



Handle with care, fragile materials.



Use only LED bulb

Installation Guide

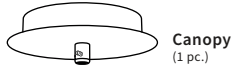
Pendant Lamp



CAUTION: Turn off the power supply before executing any electrical installation.

We suggest that any electrical work should be performed by a qualified electrician.

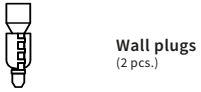
Parts included.



Canopy
(1 pc.)



Light crossbar
(1 pc.)

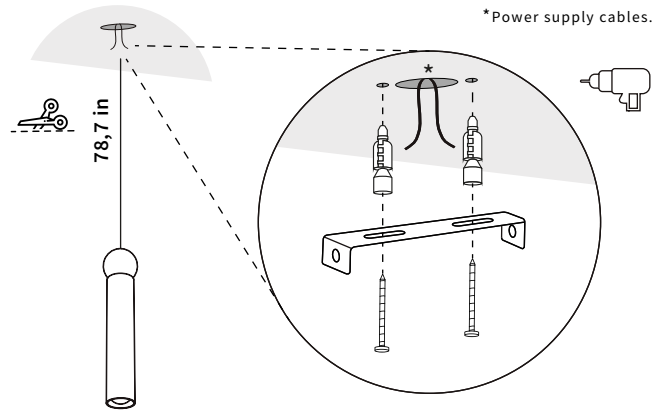


Wall plugs
(2 pcs.)

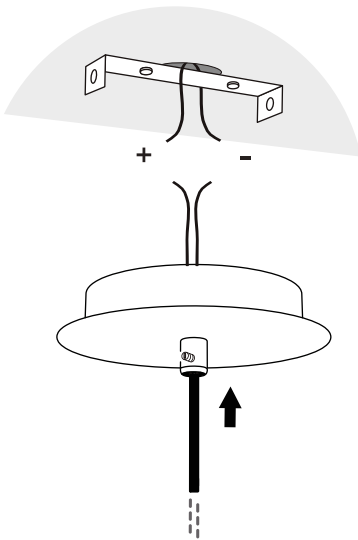


Screws
(2 pcs.)

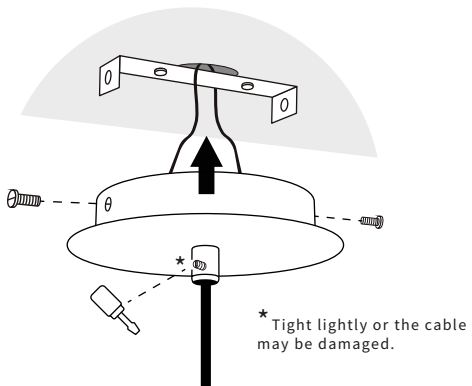
1 Cut the cable to the desired length. Place the wall plugs and fix the light crossbar to the ceiling.



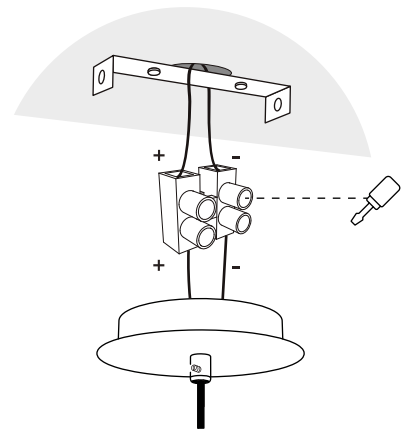
2 Pass the cable through the canopy.



4 Canopy fastening.



3 Connect the wires through the connector.



Handle with care, fragile materials.

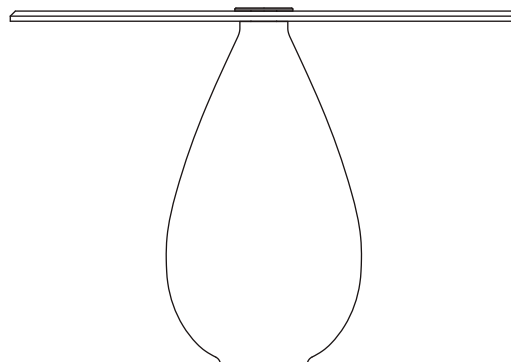
Bandido creates products that generate harmony and warmth in each space where they are present. We hope you enjoy your new product and exceeds all your expectations.

You can get more information about the maintenance of your product and warranty by scanning the following QR Code.



B MURA

Furniture
Instructions



Distrito Bandido

RFC: DBA200515RT3
Callejón del Cristo 2 - 6A
Col. San José del Puente
C.P. 72150. Puebla, Puebla

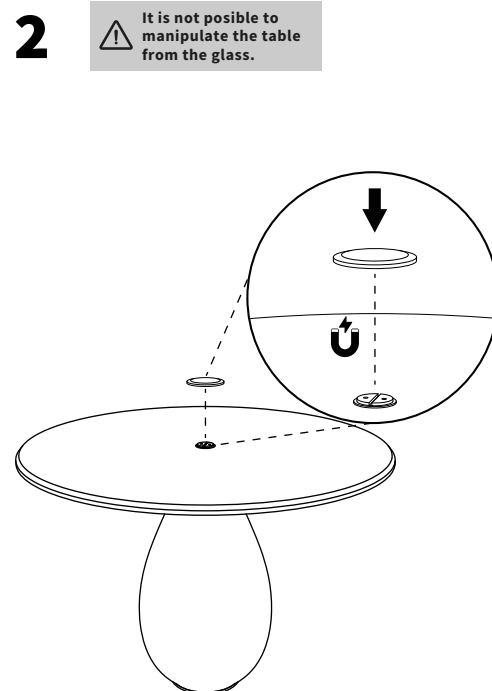
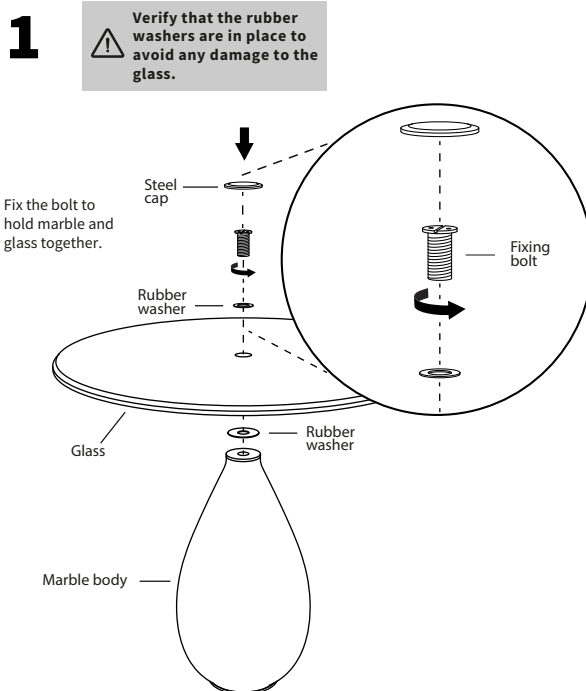
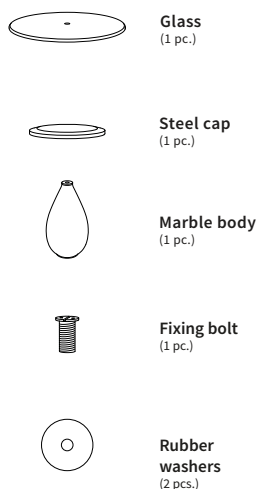
+52 (222) 688 8442
www.bandidostudio.com

Bandido

Installation Guide

Furniture

Parts included per table.



Handle with care, fragile materials.

Bandido creates products that generate harmony and warmth in each space where they are present. We hope you enjoy your new product and exceeds all your expectations.

You can get more information about the maintenance of your product and warranty by scanning the following **QR Code**.

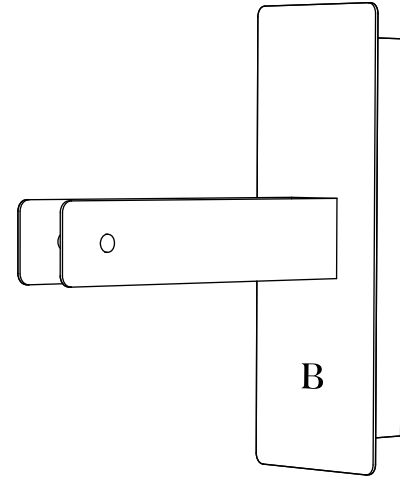


B

L Bracket

Accessories

Instructions



Distrito Bandido

RFC: DBA200515RT3
Callejón del Cristo 2 - 6A
Col. San José del Puente
C.P. 72150. Puebla, Puebla

+52 (222) 688 8442
www.bandidostudio.com

Bandido

Installation Guide

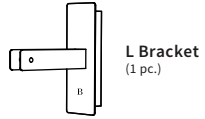
L Bracket



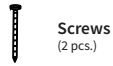
CAUTION: Turn off the power supply before executing any electrical installation.

We suggest that any electrical work should be performed by a qualified electrician.

Parts included.



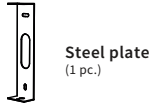
L Bracket
(1 pc.)



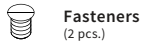
Screws
(2 pcs.)



Connector
(1 pc.)



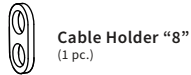
Steel plate
(1 pc.)



Fasteners
(2 pcs.)

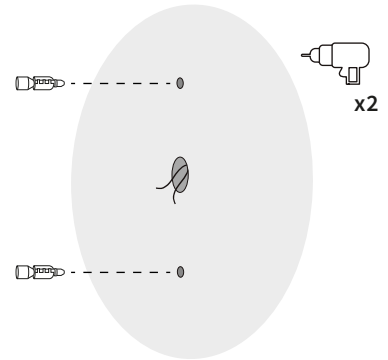


Wall plugs
(2 pcs.)

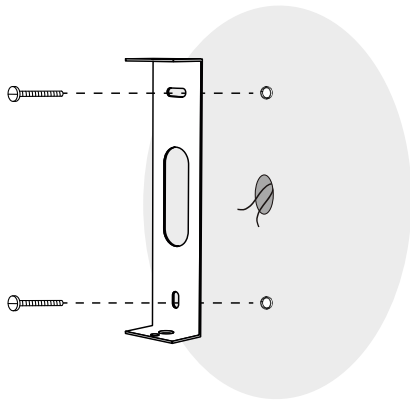


Cable Holder "8"
(1 pc.)

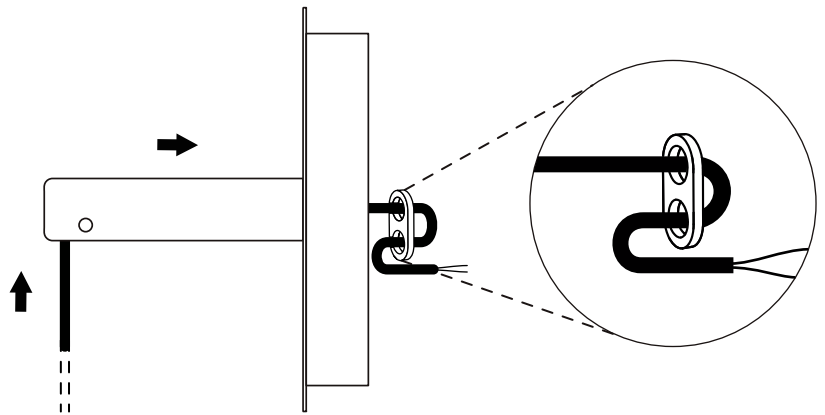
1 Placement of wall plugs. Before drilling, mark the location of the screws according to the steel plate.



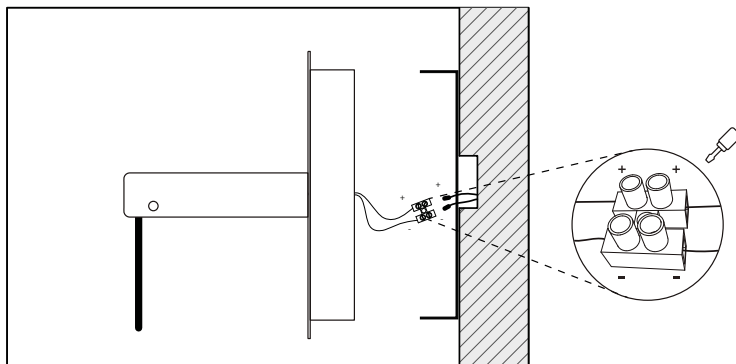
2 Steel plate fastening



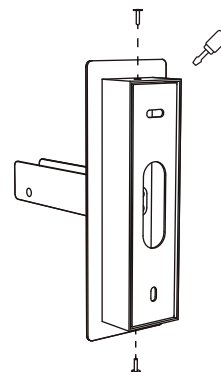
3 Pass the cable of the Lamp through the L Bracket and Cable Holder "8".



4 Connect the wires through the connector.



5 L Bracket fastening.



Handle with care, fragile materials.

B

Installation Guide

Circular Canopy

We suggest that any electrical work should be performed by a qualified electrician.



CAUTION: Turn off the power supply before executing any electrical installation.



This instruction manual applies to the following measures of the circular canopy: **ø2,95 in.**

Parts included:



Canopy
(1 pc.)



Fasteners
(2 pcs.)



Steel Plate
(1 pc.)

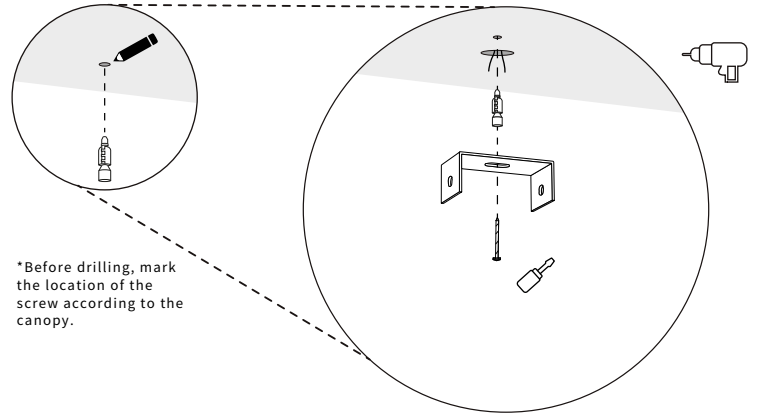


Wall plug
(1 pc.)



Screw
(1 pc.)

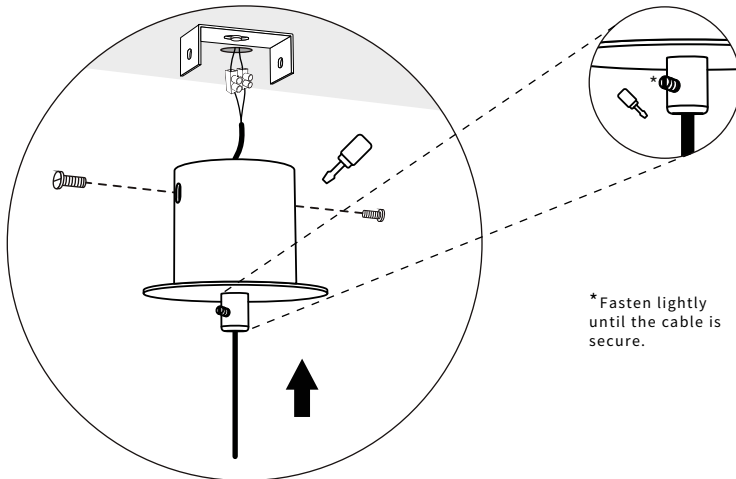
1 Wall plugs placement. (Reference Canopy Measure: ø 2,95 in.)



*Before drilling, mark the location of the screw according to the canopy.

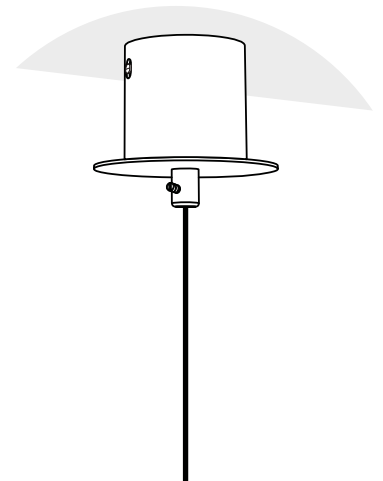
2 Canopy fastening.

*Fix the canopy, once the electrical installation has been completed.



*Fasten lightly until the cable is secure.

3 Final.



Handle with care, fragile materials.

Installation Guide

Circular Canopy

We suggest that any electrical work should be performed by a qualified electrician.



CAUTION: Turn off the power supply before executing any electrical installation.



This instruction manual applies to the following measures of the circular canopy:
7,8 in / 17,7 in / 23,6 in / 31,4 in.

Parts included.

- The amount of materials depends on the dimensions of the canopy to be installed.
- Wall plugs are specific for concrete slab.



Canopy
(1 pc.)



Cable Holder with screw
(According to the canopy)

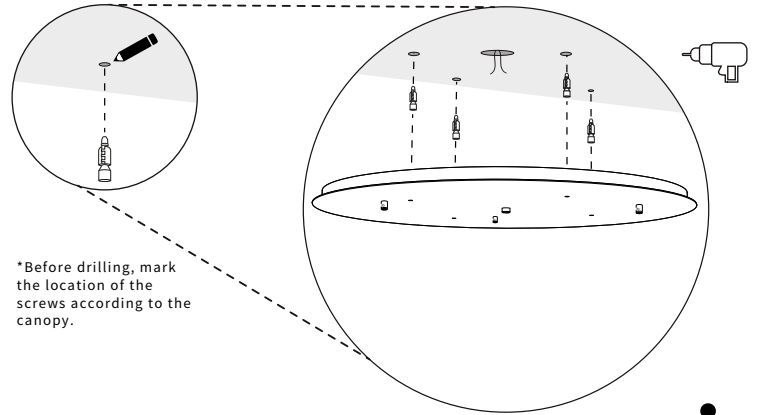


Wall plugs
(According to the canopy)



Screws
(According to the canopy)

1 Wall plugs placement. (Reference Canopy Measure: Ø 23,6 in).



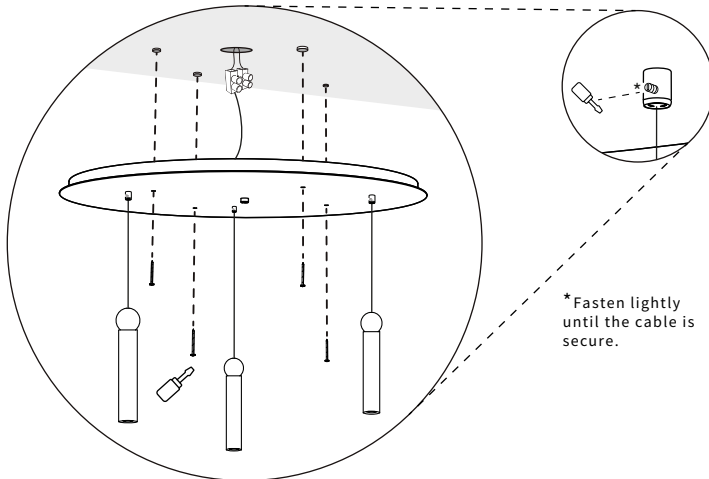
*Before drilling, mark the location of the screws according to the canopy.

The canopy installation should be done by two people.



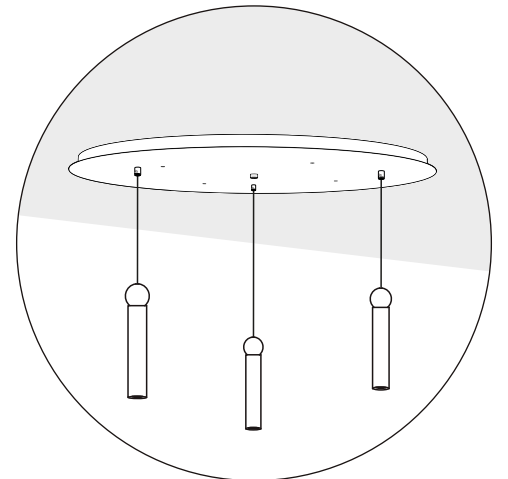
2 Canopy fastening.

*Fix the canopy, once the electrical installation has been completed.



*Fasten lightly until the cable is secure.

3 Final.



Handle with care, fragile materials.

B

Installation Guide

Rectangular Canopy

We suggest that any electrical work should be performed by a qualified electrician.



CAUTION: Turn off the power supply before executing any electrical installation.



This instruction manual applies to the following measures of the rectangular canopy: 19,6 in / 31,4 in / 23,6 in / 39,3 in / 49,2 in / 59 in.

Parts included.

- The amount of materials depends on the dimensions of the canopy to be installed.
- Wall plugs are specific for concrete slab.



Canopy
(1 pc.)



Cable Holder with screw
(According to the canopy)

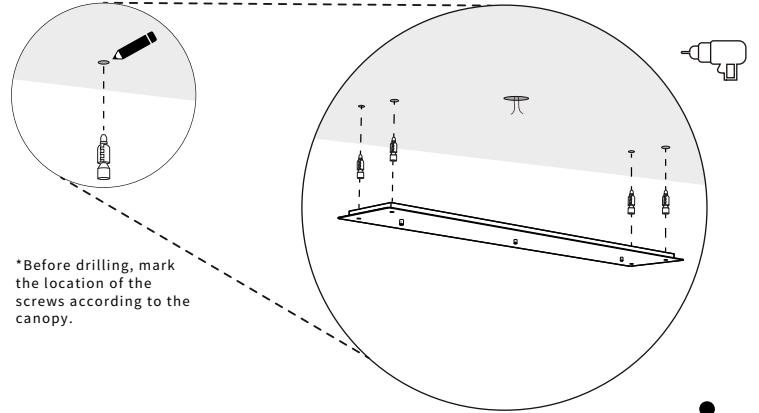


Wall plugs
(According to the canopy)



Screws
(According to the canopy)

1 Wall plugs placement. (Reference Canopy Measure: 31,4 in x 5,9 in).



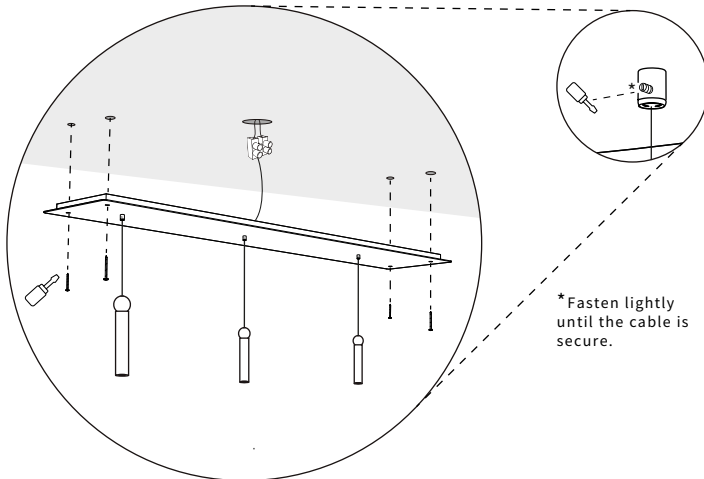
*Before drilling, mark the location of the screws according to the canopy.

The canopy installation should be done by two people.



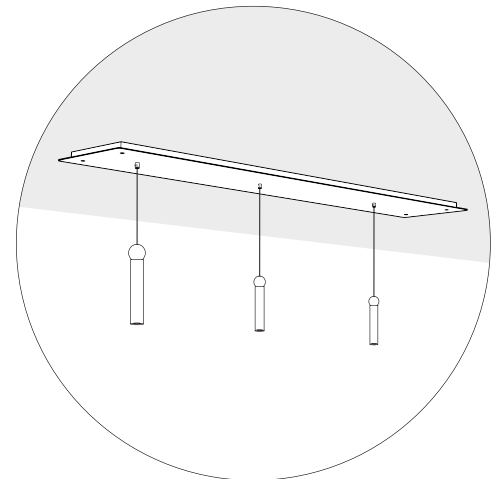
2 Canopy fastening.

*Fix the canopy, once the electrical installation has been completed.



*Fasten lightly until the cable is secure.

3 Final.



Handle with care, fragile materials.

Installation Guide

Circular Canopy Ø 47,2 in

We suggest that any electrical work should be performed by a qualified electrician.



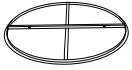
CAUTION: Turn off the power supply before executing any electrical installation.



This instruction manual applies to the following measures of the circular canopy: Ø 47,2 in.

Parts included.

Wall plugs are specific for concrete slab.



Canopy
(1 pc.)



Cable Holder with screw
(According to the canopy)

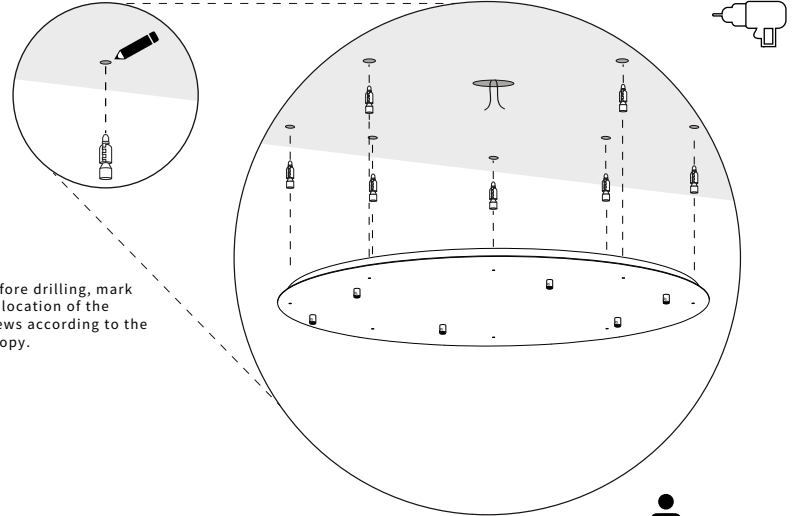


Wall plugs
(8 pcs.)




Screws
(8 pcs.)

1 Wall plugs placement. (Reference Canopy Measure: Ø 47,2 in).

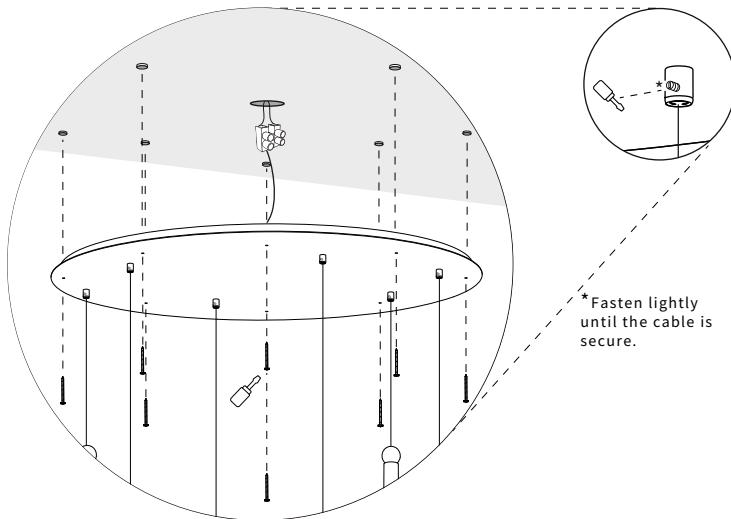


*Before drilling, mark the location of the screws according to the canopy.

The canopy installation should be done by four people.  x4

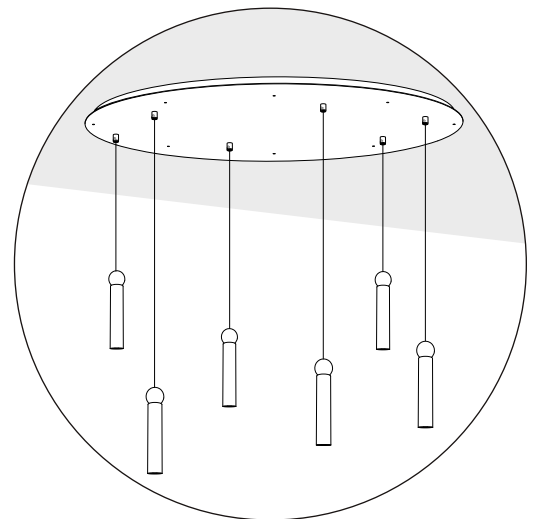
2 Canopy fastening.

* Fix the canopy, once the electrical installation has been completed.



*Fasten lightly until the cable is secure.

3 Final.



Handle with care, fragile materials.

B

Distrito Bandido

Callejón del Cristo 2 - 6A
Col. San José del Puente 72150
Puebla, Pue. México

. +52 222 688 8442

bandidostudio.com