

**Bandido** creates products that generate harmony and warmth in each space where they are present. We hope you enjoy your new product and exceeds all your expectations.

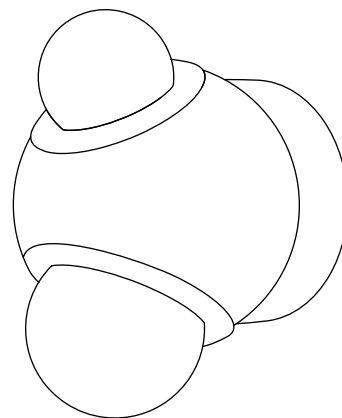
You can get more information about the maintenance of your product and warranty by scanning the following **QR Code**.



# B HUMO 13

## Wall Sconce

Instructions



### Light Source

2 x G9 LED COB bulb 2.5 W máx.  
120 V ~ 60 Hz 0.020 A  
Included  
5 Wh

Indoor Use

### Distrito Bandido

RFC: DBA200515RT3  
Callejón del Cristo 2 - 6A  
Col. San José del Puente  
C.P. 72150. Puebla, Puebla

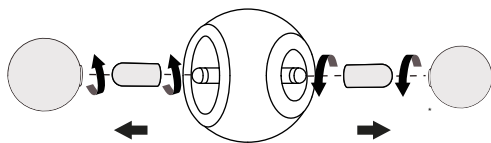
+52 (222) 688 8442  
[www.bandidostudio.com](http://www.bandidostudio.com)

# Bandido

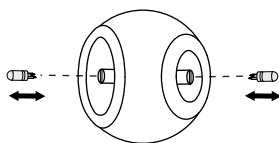
## Bulb replacement

Tutorial

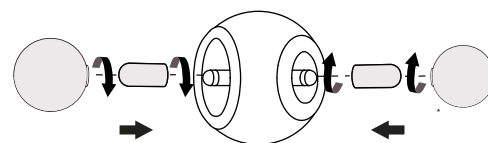
### 1



### 2



### 3



\*Align and fasten the diffusers gently to avoid the risk of jamming.



Handle with care, fragile materials.



Use only LED bulb

# Installation Guide

Wall Sconce



**CAUTION: Turn off the power supply before executing any electrical installation.**

**We suggest that any electrical work should be performed by a qualified electrician.**

## Parts included.



**Body**  
(1 pc.)



**Diffuser**  
(2 pcs.)



**Allen Screw**  
(2 pcs.)



**Spherical Glass Diffuser**  
(2 pcs.)



**Steel Plate**  
(1 pc.)



**Screws**  
(2 pcs.)



**LED Bulb**  
(2 pcs.)

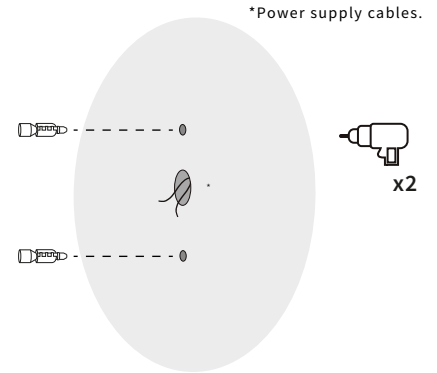


**Wall plugs**  
(2 pcs.)



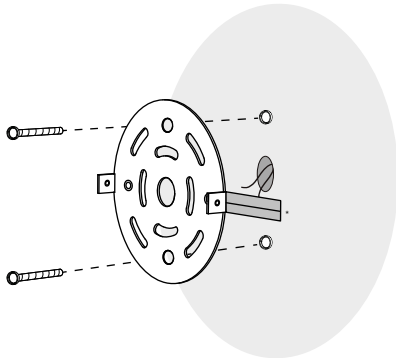
**Allen Key**  
(1 pc.)

**1** Placement of wall plugs. Before drilling, mark the location of the screws according to the steel plate.

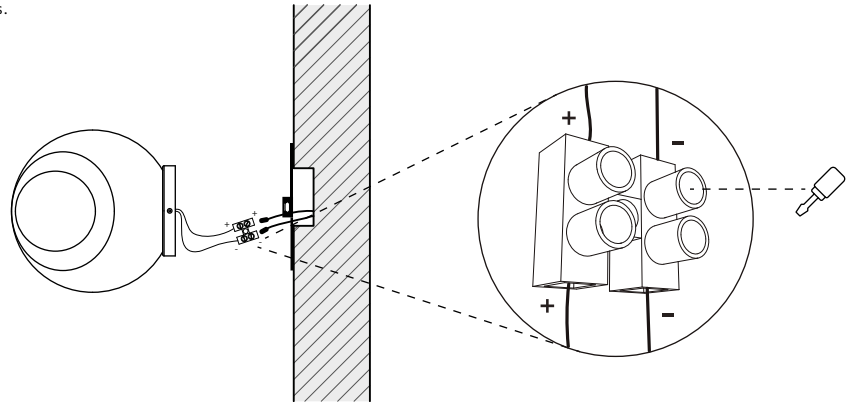


**2** Steel plate fastening.

\*Consider labels as a guide for placement of the diffusers.

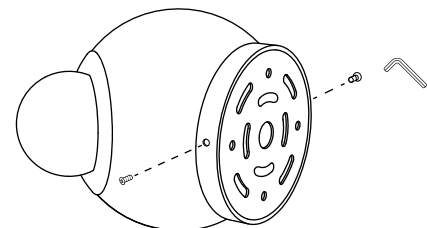
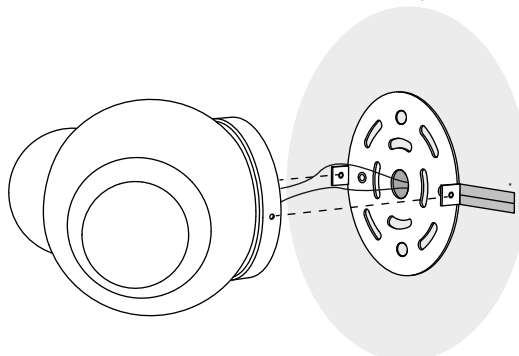


**3** Connect the wires through the connector.



**4** Body fastening.

\*Remove labels once the lamp has been installed.



**Handle with care, fragile materials.**