

Bandido creates products that generate harmony and warmth in each space where they are present. We hope you enjoy your new product and exceeds all your expectations.

You can get more information about the maintenance of your product and warranty by scanning the following QR Code.



Light Source

2 x G9 LED COB bulb 2.5 W máx.
120 V ~ 60 Hz 0.020 A
Included
5 Wh

Indoor Use

Distrito Bandido

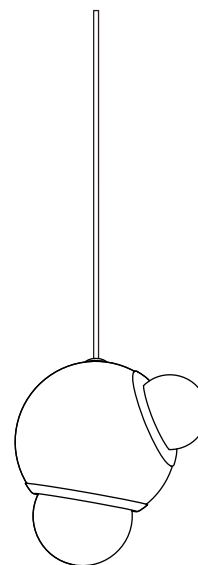
RFC: DBA200515RT3
Callejón del Cristo 2 - 6A
Col. San José del Puente
C.P. 72150. Puebla, Puebla

+52 (222) 688 8442
www.bandidostudio.com

B HUMO 13

Pendant Lamp

Instructions



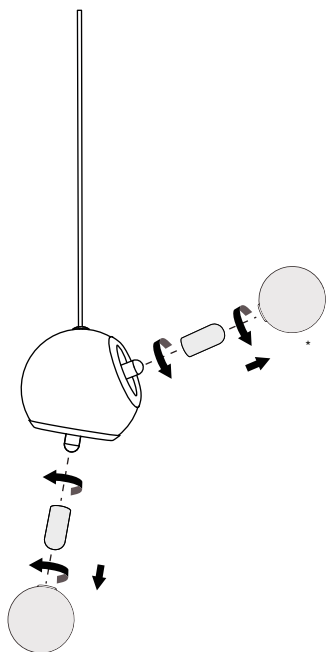
Bandido

Bulb replacement

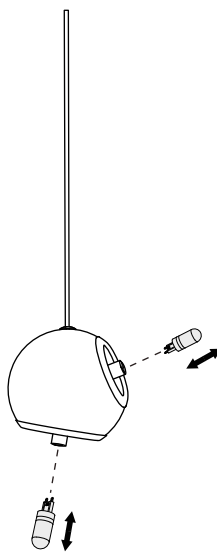
Tutorial

*Align and fasten the diffusers gently to avoid the risk of jamming.

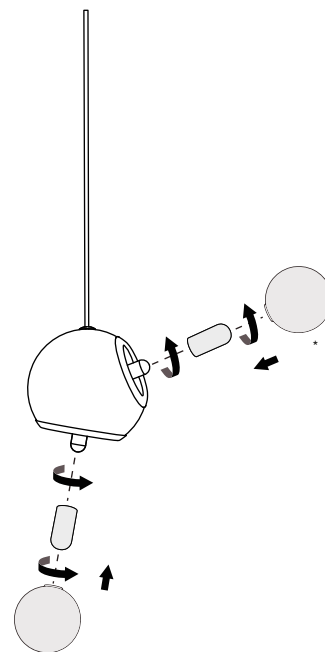
1



2



3



Handle with care, fragile materials.



Use only LED bulb

Installation Guide

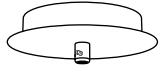
Pendant Lamp



CAUTION: Turn off the power supply before executing any electrical installation.

We suggest that any electrical work should be performed by a qualified electrician.

Parts included.



Canopy
(1 pc.)



Cable Holder "8"
(1 pc.)



Light crossbar
(1 pc.)



LED Bulb
(2 pcs.)



Wall plugs
(2 pcs.)



Glass Diffuser
(2 pcs.)

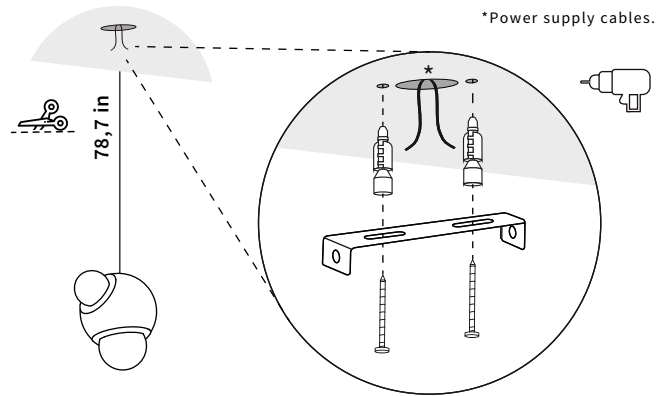


Screws
(2 pcs.)

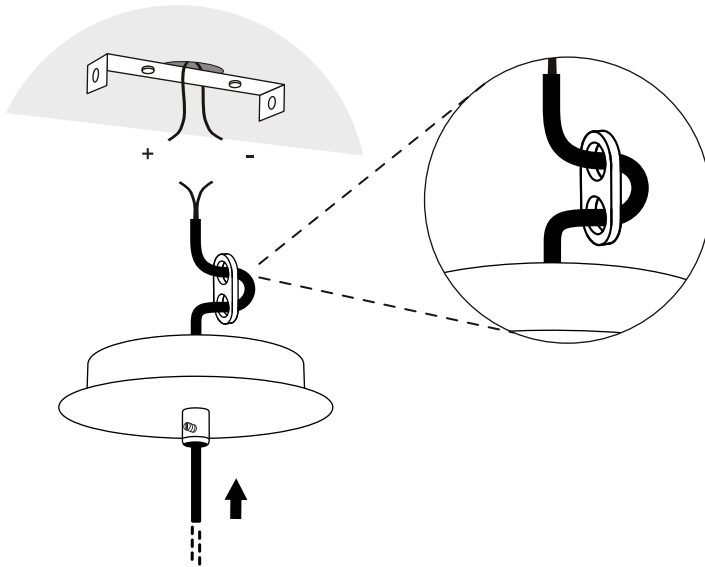


Spherical Glass Diffuser
(2 pcs.)

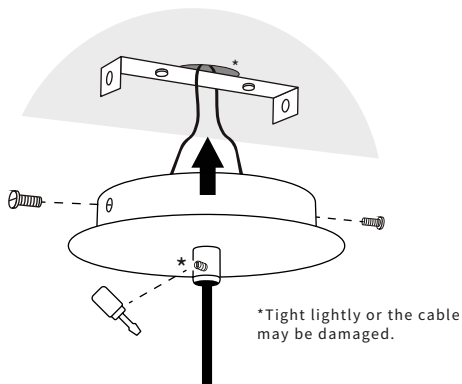
1 Cut the cable to the desired length.



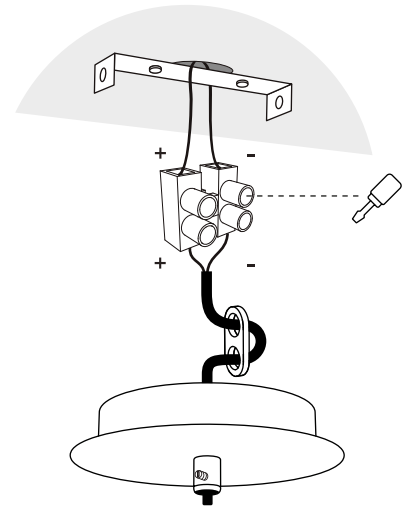
2 Pass the canopy and cable holder "8" through the cable.



4 Canopy fastening.



3 Connect the wires through the connector.



Handle with care, fragile materials.