

**Bandido** creates products that generate harmony and warmth in each space where they are present. We hope you enjoy your new product and exceeds all your expectations.

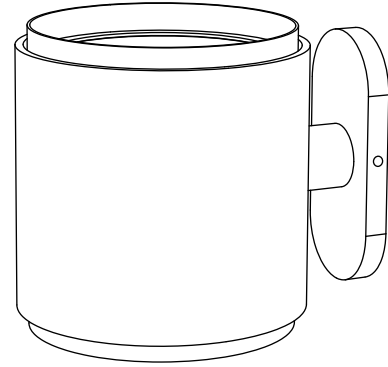
You can get more information about the maintenance of your product and warranty by scanning the following QR Code.



# B TEMPLO

## Wall Sconce

Instructions



### Light Source

1 x G9 LED COB 2.5 W max.  
120 V - 60 Hz 2.5 W COB 0.020 A.  
Included  
2.5 Wh

Indoor Use

### Distrito Bandido

RFC: DBA200515RT3  
Callejón del Cristo 2 - 6A  
Col. San José del Puente  
C.P. 72150. Puebla, Puebla

+52 (222) 688 8442

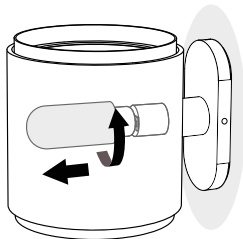
[www.bandidostudio.com](http://www.bandidostudio.com)

# Bandido

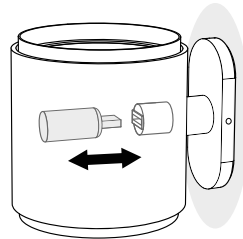
## Bulb replacement

Tutorial

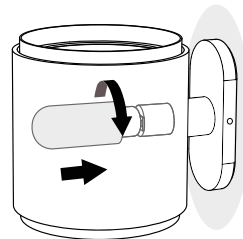
1



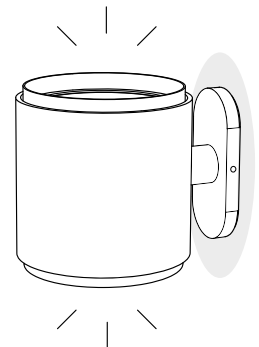
2



3



4



Handle with care, fragile materials.



Use only LED bulb

# Installation Guide

Wall Sconce



**CAUTION:** Turn off the power supply before executing any electrical installation.

We suggest that any electrical work should be performed by a qualified electrician.

## Parts included.



**Body**  
(1 pc.)



**Diffuser**  
(1 pc.)



**Fasteners**  
(2 pcs.)



**Screws**  
(2 pcs.)



**Steel Plate**  
(1 pc.)

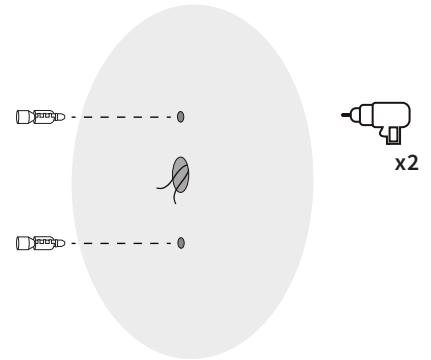


**Wall plugs**  
(2 pcs.)

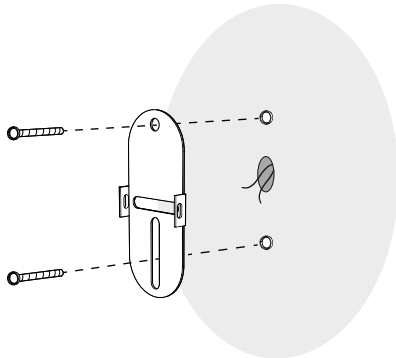


**LED Bulb**  
(1 pc.)

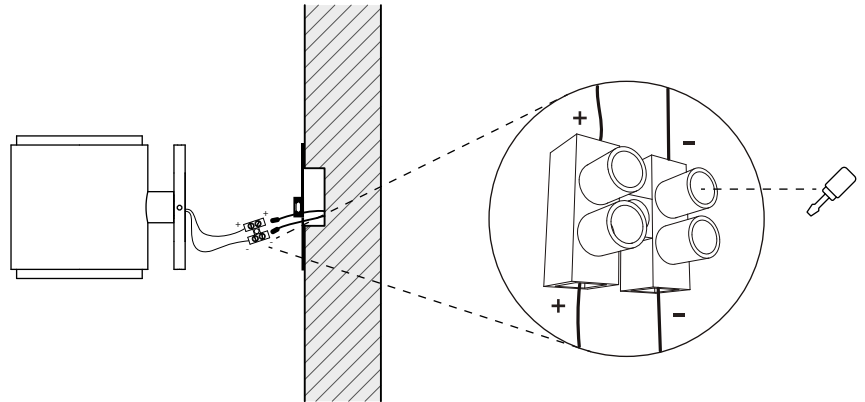
**1** Placement of wall plugs. Before drilling, mark the location of the screws according to the steel plate.



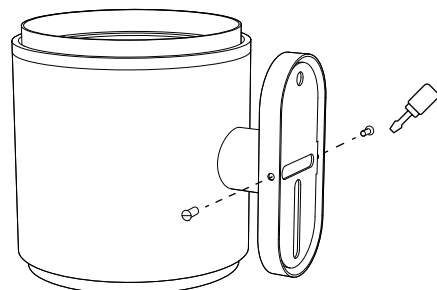
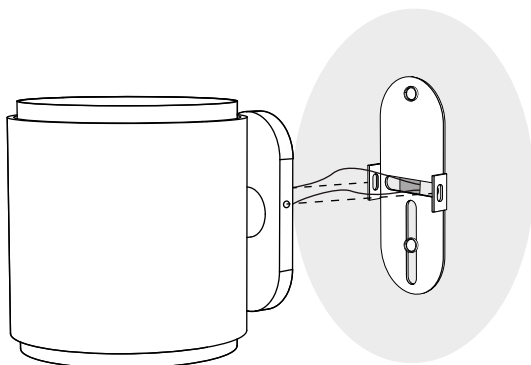
**2** Steel plate fastening.



**3** Connect the wires through the connector.



**4** Body fastening.



**Handle with care, fragile materials.**