

**Bandido** creates products that generate harmony and warmth in each space where they are present. We hope you enjoy your new product and exceeds all your expectations.

You can get more information about the maintenance of your product and warranty by scanning the following **QR Code**.



#### Light Source

1 x E27 LED bulb PAR30 10 W max.  
120 V - 60 Hz 10 W LED 0.1 A.  
Included  
10 Wh

Indoor Use

#### Distrito Bandido

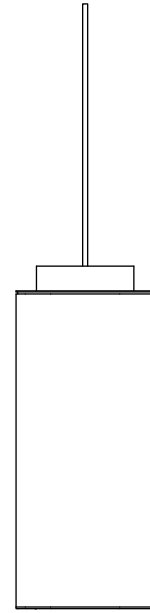
RFC: DBA200515RT3  
Callejón del Cristo 2 - 6A  
Col. San José del Puente  
C.P. 72150. Puebla, Puebla

+52 (222) 688 8442  
[www.bandidostudio.com](http://www.bandidostudio.com)

# B TEMPLO

## Pendant Lamp

Instructions

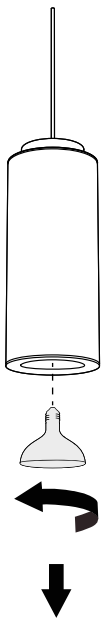


# Bandido

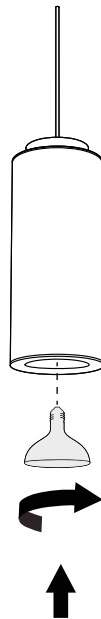
## Bulb replacement

Tutorial

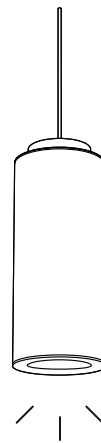
**1**



**2**



**3**



Handle with care, fragile materials.



Use only LED bulb

# Installation Guide

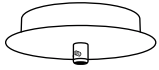
Pendant Lamp



**CAUTION: Turn off the power supply before executing any electrical installation.**

**We suggest that any electrical work should be performed by a qualified electrician.**

## Parts included.



Canopy  
(1 pc.)



Cable Holder "8"  
(1 pc.)



Light crossbar  
(1 pc.)

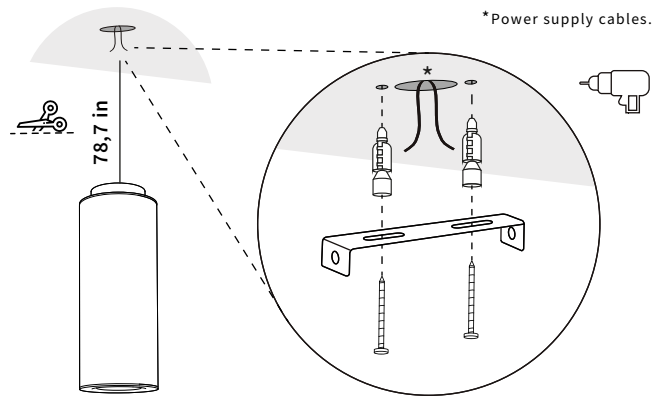


Wall plugs  
(2 pcs.)

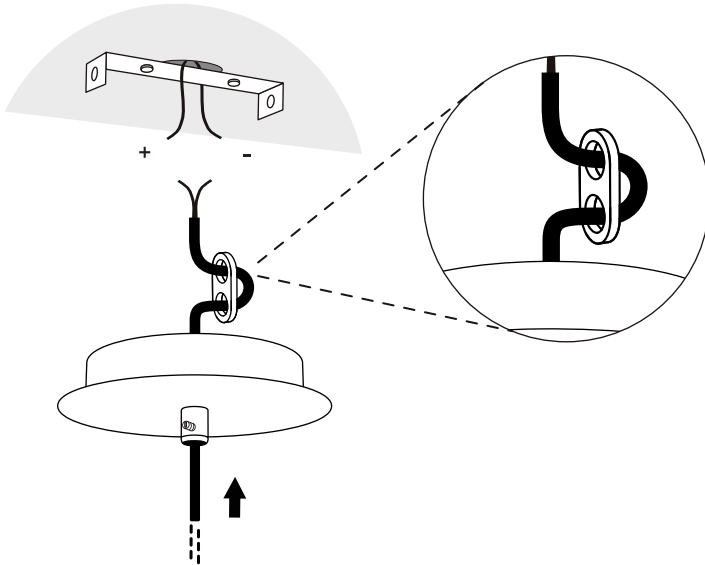


Screws  
(2 pcs.)

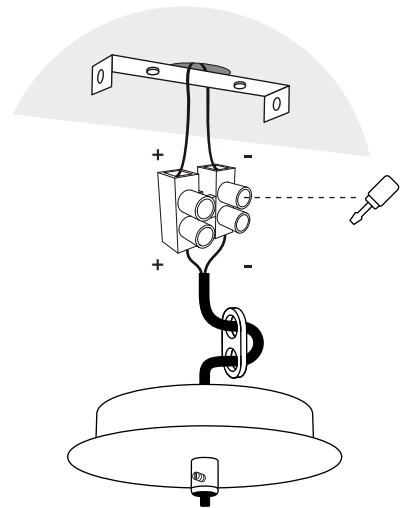
**1** Cut the cable to the desired length. Place the wall plugs and fix the light crossbar to the ceiling.



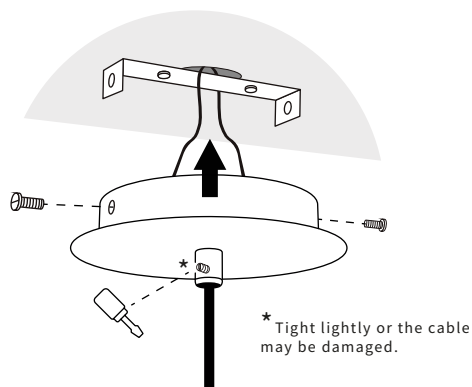
**2** Pass the canopy and cable holder "8" through the cable.



**3** Connect the wires through the connector.



**4** Canopy fastening.



**Handle with care, fragile materials.**