

Bandido creates products that generate harmony and warmth in each space where they are present. We hope you enjoy your new product and exceeds all your expectations.

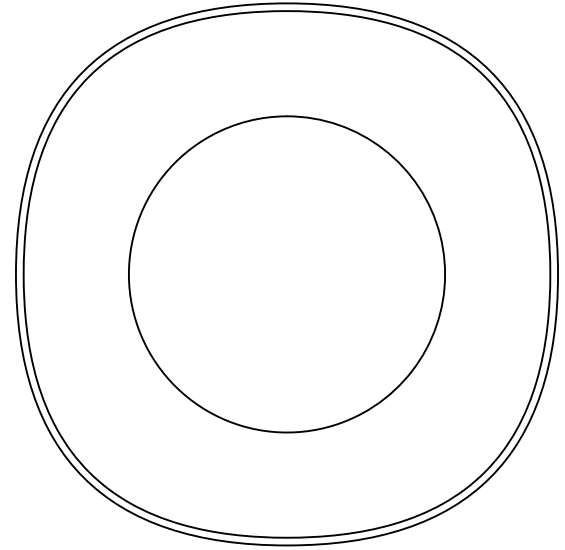
You can get more information about the maintenance of your product and warranty by scanning the following **QR Code**.



B NAGA

Wall Sconce

Instructions



Distrito Bandido

RFC: DBA200515RT3
Callejón del Cristo 2 - 6A
Col. San José del Puente
C.P. 72150. Puebla, Puebla

+52 (222) 688 8442
www.bandidostudio.com

Light source

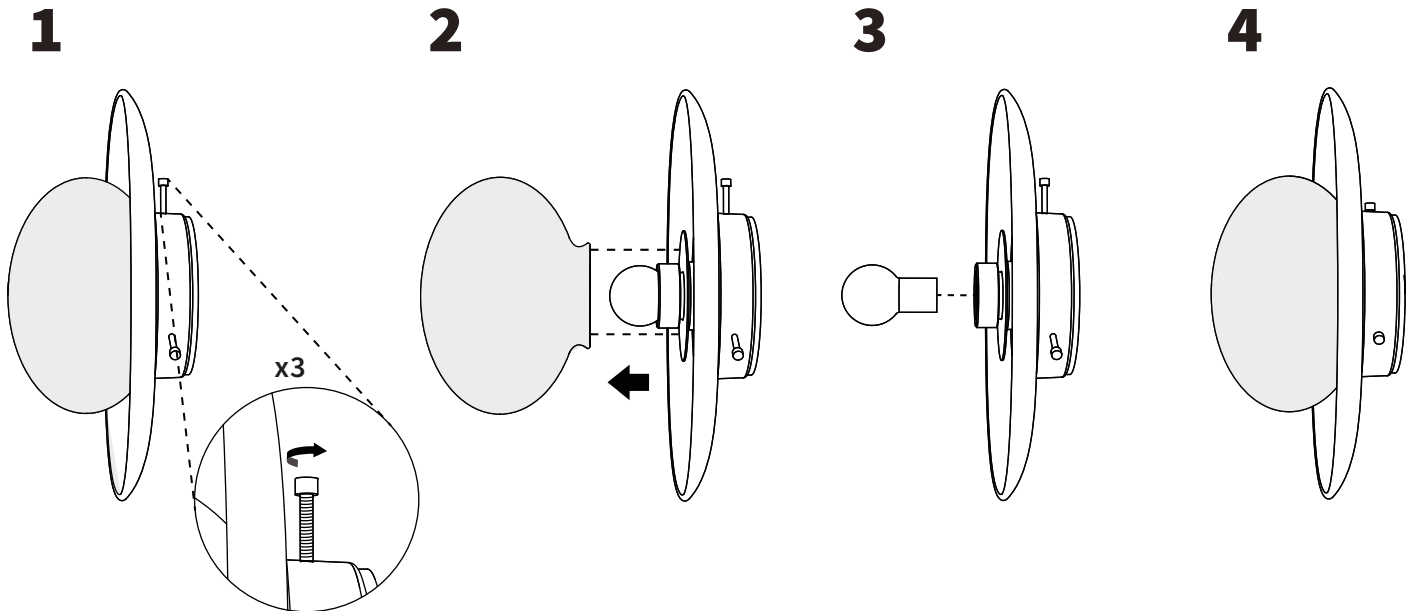
1 x E27 LED bulb 5 W max.
120 V - 60 Hz 5 W LED 0.04 A
Included
4.3 Wh

Indoor use

Bandido

Bulb replacement

Tutorial



Handle with care, fragile materials.



Use only LED bulb

Installation Guide

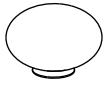
Wall Sconce



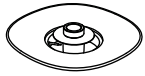
CAUTION: Turn off the power supply before executing any electrical installation.

We suggest that any electrical work should be performed by a qualified electrician.

Parts included.



Glass diffuser
(1 pc.)



Marble body
(1 pc.)

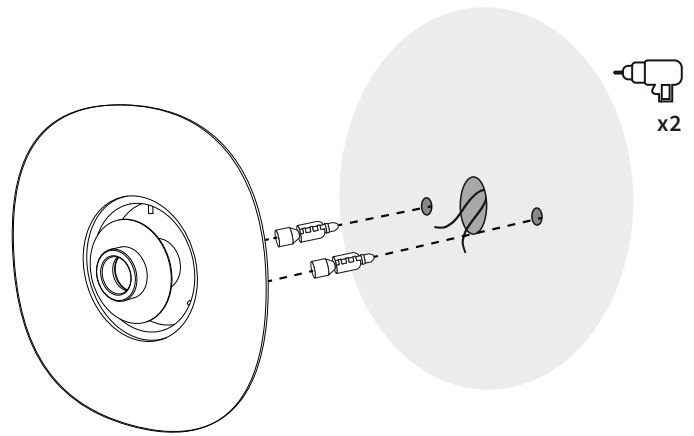


LED Bulb
(1 pc.)

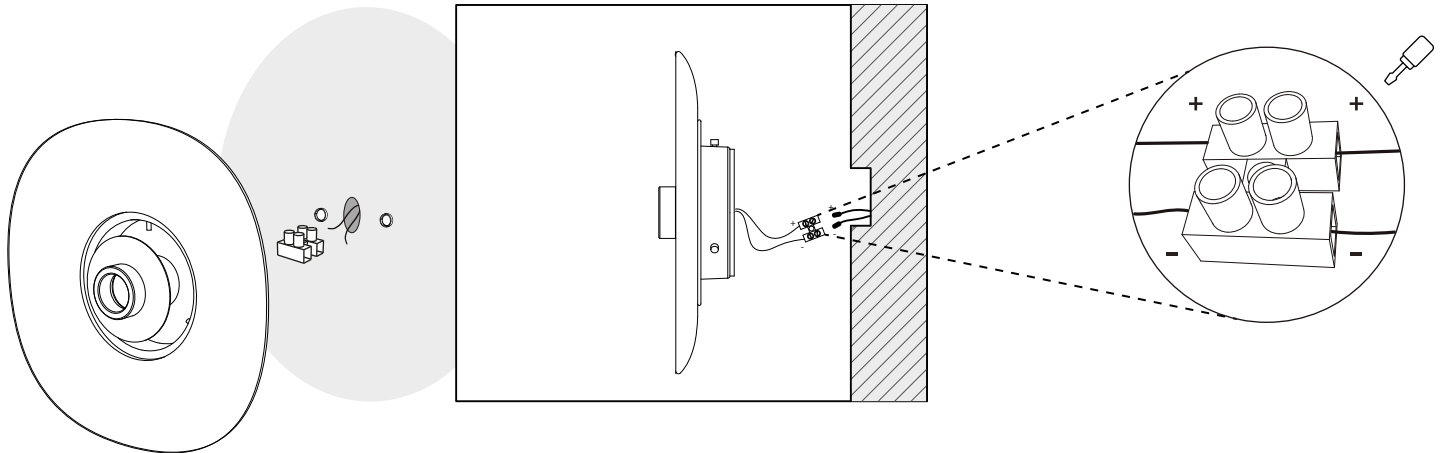


Screws and wall plugs
(2 pcs. of each)

1 Placement of wall plugs. Before drilling, mark the location of the screws according to the **Marble Body**.

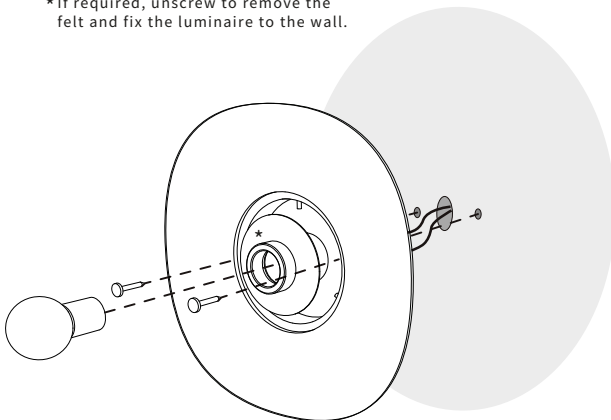


2 Connect the wires through the connector.

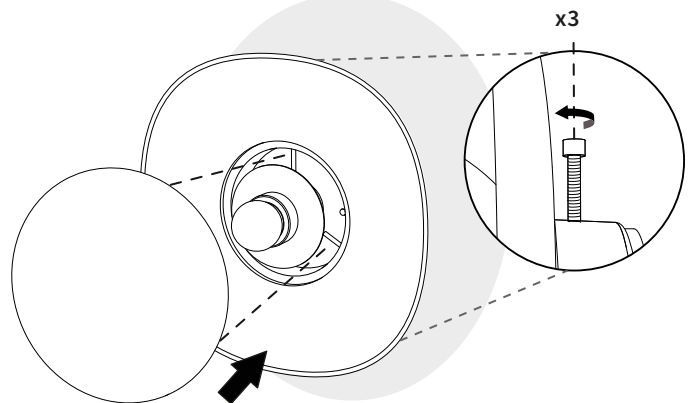


4 Fix the lamp to the wall and place the LED Bulb.

*If required, unscrew to remove the felt and fix the luminaire to the wall.



5 Put the glass diffuser and tighten the screws with your hand.



Handle with care, fragile materials.



TIGHT CAREFULLY, THE GLASS DIFFUSER CAN BREAK EASILY.

B