

Bandido creates products that generate harmony and warmth in each space where they are present. We hope you enjoy your new product and exceeds all your expectations.

You can get more information about the maintenance of your product and warranty by scanning the following **QR Code**.



Light Source

1 x LED module 15 W
127 V ~ 60 Hz 15 W LED 0.118 A
Included
15 Wh

Indoor use

Distrito Bandido

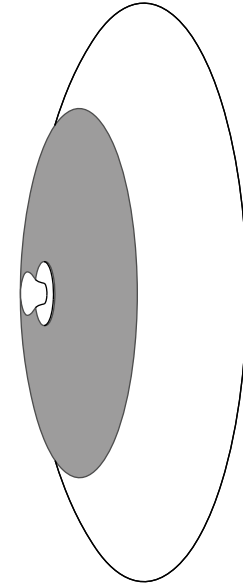
RFC: DBA200515RT3
Callejón del Cristo 2 - 6A
Col. San José del Puente
C.P. 72150. Puebla, Puebla

+52 (222) 688 8442
www.bandidostudio.com

B FASE

Wall Sconce

Instructions



Bandido

Indications of use

1 Unpack carefully. The materials are brittle and can easily crack.

2 Follow instructions on back of sheet for installation of this product.

Spare parts

- To replace the LED module, contact Bandido directly.

- Driver integrated in the product.



Handle with care, fragile materials.



Use only LED bulb

Installation Guide

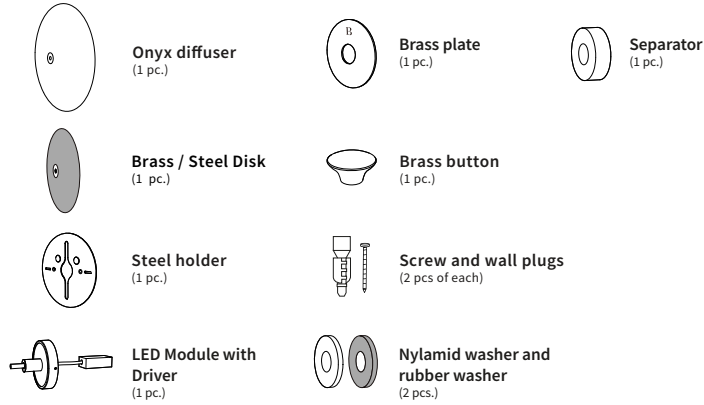
Wall Sconce



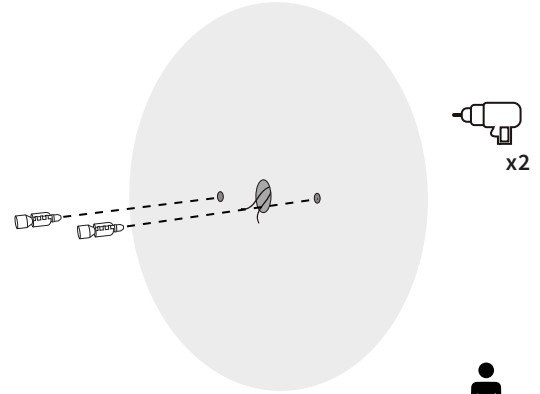
CAUTION: Turn off the power supply before executing any electrical installation.

We suggest that any electrical work should be performed by a qualified electrician.

Parts included.

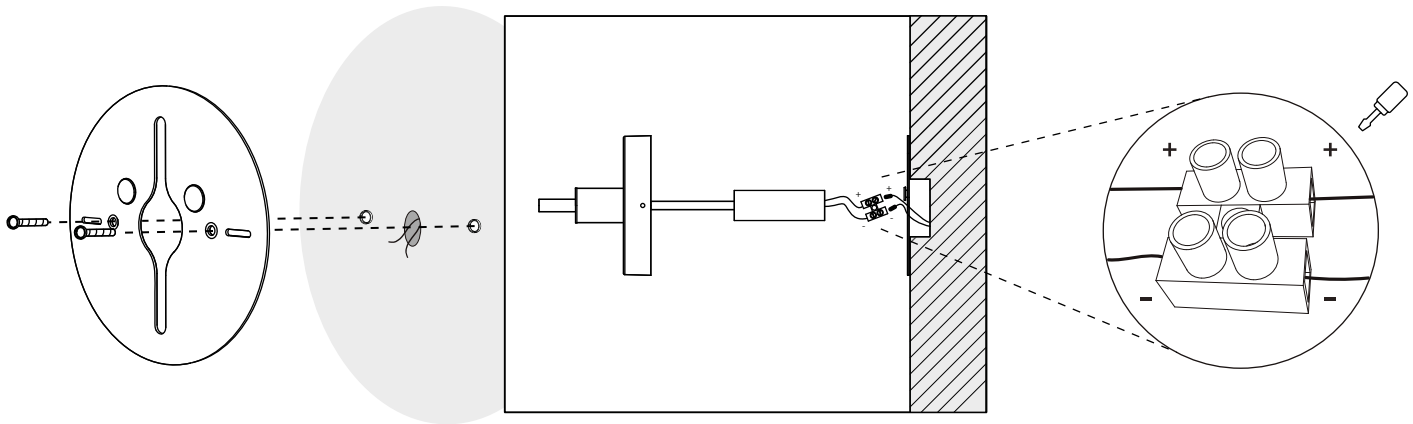


1 Wall plugs placement. Before drilling, mark the location of the screws according to the **Steel holder** and make sure they are leveled horizontally.



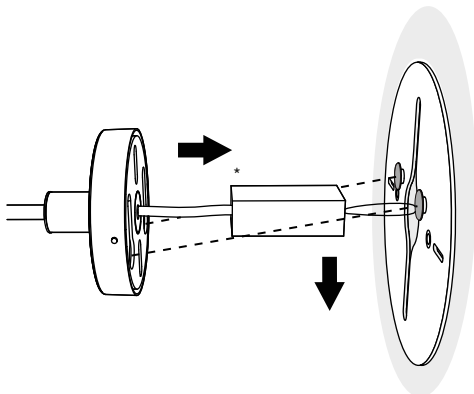
The installation should be done by two people. **x2**

2 Fastening of the Steel holder to the wall.



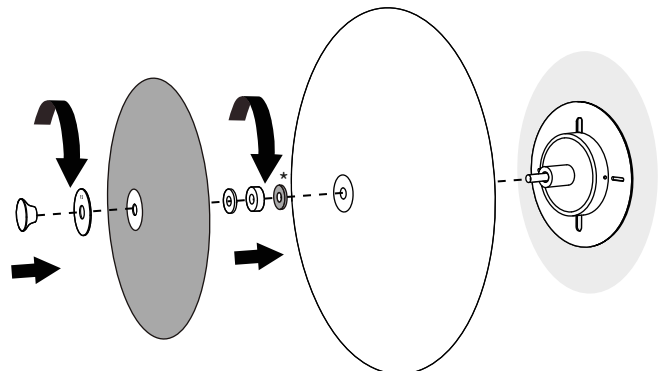
3 Connect the wires + to + and - to - through the connector.

4 Placement of the LED module on the Steel holder.



*Place Driver inside the Steel holder.

5 Onyx diffuser placement and Brass / Steel disk.



* Rubber washer.



Handle with care, fragile materials.

B