

Bandido creates products that generate harmony and warmth in each space where they are present. We hope you enjoy your new product and exceeds all your expectations.

You can get more information about the maintenance of your product and warranty by scanning the following QR Code.



Light Source

1 x LED module 18 W
127 V ~ 60 Hz 18 W LED 0.141 A
Included
18 Wh

Indoor use

Distrito Bandido

RFC: DBA200515RT3
Callejón del Cristo 2 - 6A
Col. San José del Puente
C.P. 72150. Puebla, Puebla

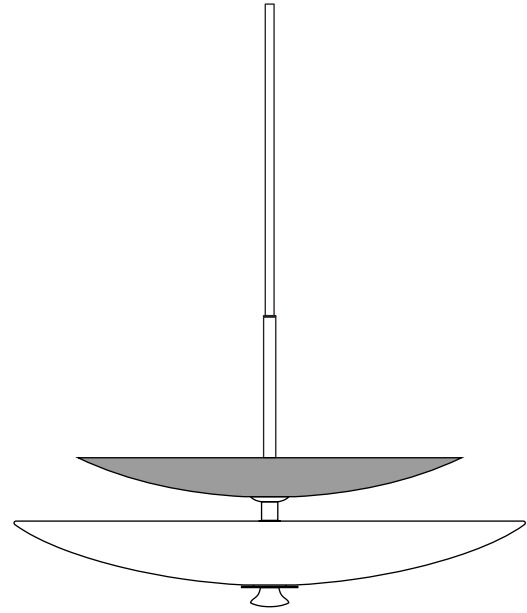
+52 (222) 688 8442
www.bandidostudio.com

B

FASE

Pendant Lamp

Instructions



Bandido

Indications of use

1 Unpack carefully. The materials are brittle and can easily crack.

2 Follow instructions on back of sheet for installation of this product.

Spare parts

- To replace the LED module, contact Bandido directly.

- Driver integrated in the product.



Handle with care, fragile materials.



Use only LED bulb

Installation Guide

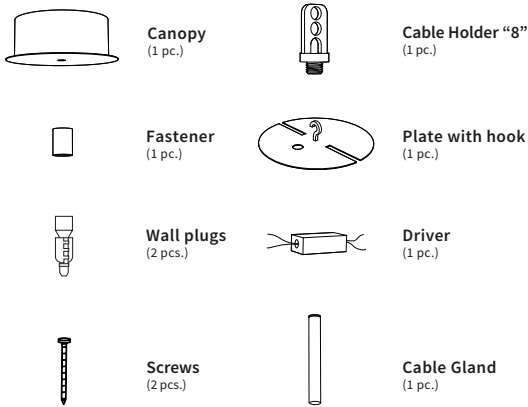
Pendant Lamp



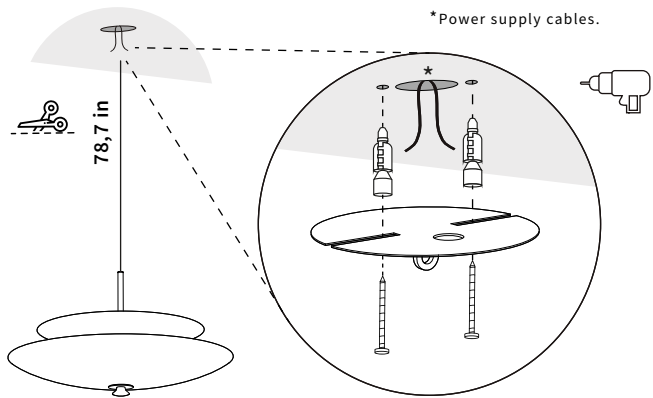
CAUTION: Turn off the power supply before executing any electrical installation.

We suggest that any electrical work should be performed by a qualified electrician.

Parts included.

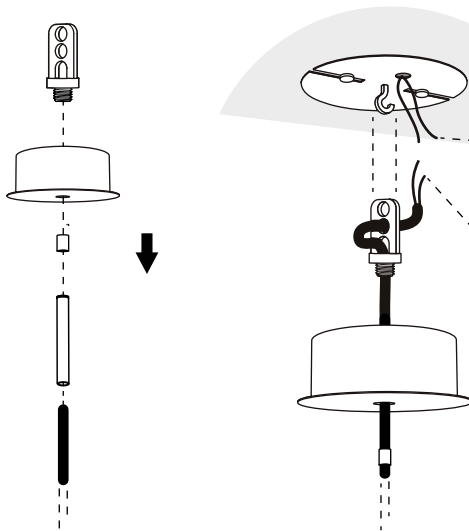


1 Cut the cable to the desired length. Place the wall plugs and fix the plate with the screws to the ceiling.



The installation should be done by two people. x2

2 Pass the cable gland, fastener, canopy and cable holder "8" through the cable, then hang it on to the hook.



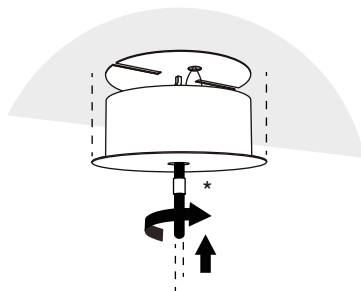
3 Connect the wires through the Driver according to the cable label.



CAUTION RISK OF ELECTRIC SHOCK

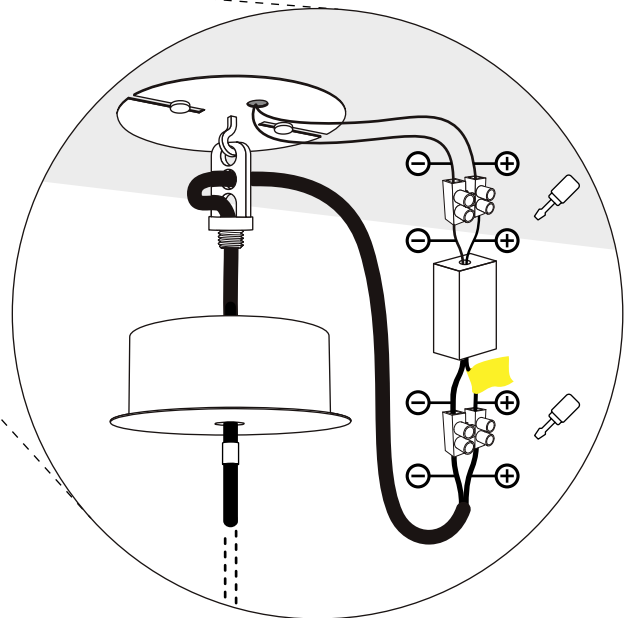
Follow the instructions from cable label for electrical installation.

4 Canopy fastening.



*Place Driver inside the canopy.

*Screw fastener lightly until the canopy is secure.



Connection of cables from lamp to Driver:

Positive (+) with positive (+).
Negative (-) with negative (-).



Handle with care, fragile materials.

B