

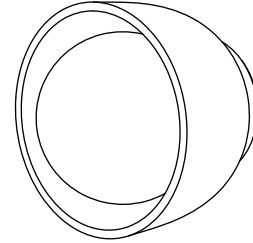
Bandido creates products that generate harmony and warmth in each space where they are present. We hope you enjoy your new product and exceeds all your expectations.

You can get more information about the maintenance of your product and warranty by scanning the following **QR Code**.



B DBH 02 I

Wall Sconce Instructions



Light Source

1 x G9 LED COB bulb 2.5 W max.
120 V - 60 Hz 2.5 W LED 0.02 A.
Included
2.5 Wh

Indoor use

Distrito Bandido

RFC: DBA200515RT3
Callejón del Cristo 2 - 6A
Col. San José del Puente
C.P. 72150. Puebla, Puebla

+52 (222) 688 8442

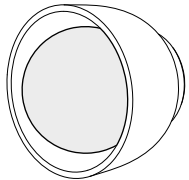
www.bandidostudio.com

Bandido

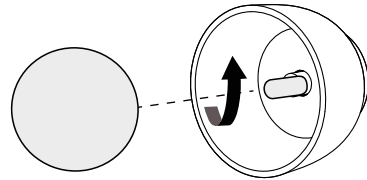
Bulb replacement

Tutorial

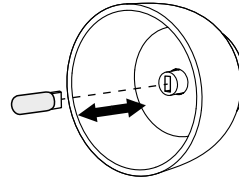
1



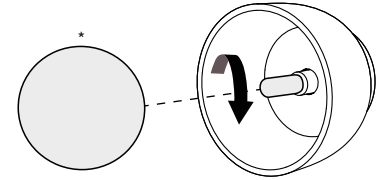
2



3



4



*Align the glass diffuser and screw gently to avoid jamming.



Handle with care, fragile materials.



Use only LED bulb

Installation Guide

Wall Sconce



CAUTION: Turn off the power supply before executing any electrical installation.

We suggest that any electrical work should be performed by a qualified electrician.

Parts included.



Module
(1 pc.)



Glass Diffuser
(1 pc.)



Brass Cover
(1 pc.)



Screws
(2 pcs.)

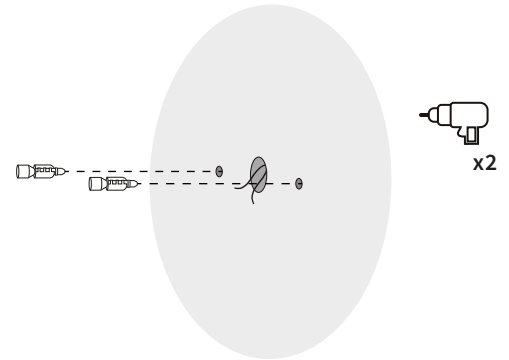


LED Bulb
(1 pc.)

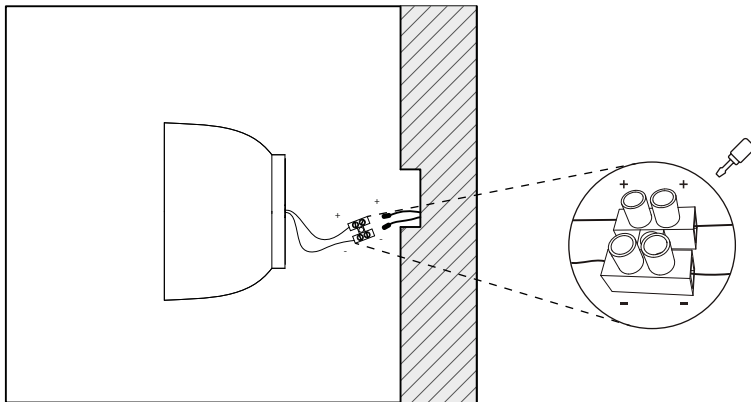


Wall Plugs
(2 pcs.)

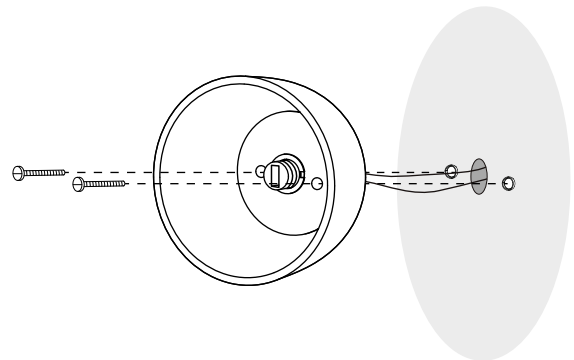
1 Placement of wall plugs. Before drilling, mark the location of the wall holes according to the module.



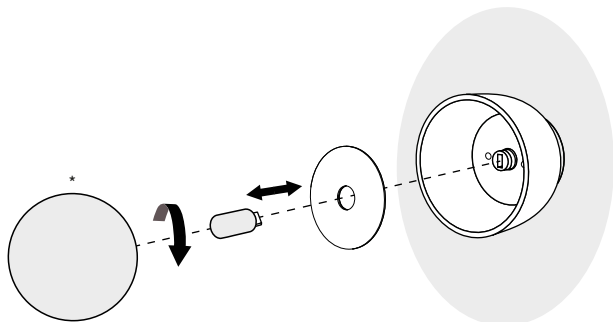
2 Connect the wires through the connector.



3 Fix the module to the wall.



4 Put the brass cover followed by the LED Bulbs and Glass Diffusers.



*Align the glass diffuser and screw gently to avoid jamming.



Handle with care, fragile materials.