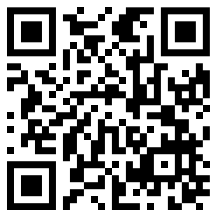


Bandido creates products that generate harmony and warmth in each space where they are present. We hope you enjoy your new product and exceeds all your expectations.

You can get more information about the maintenance of your product and warranty by scanning the following QR Code.



Light Source

1 x E27 LED bulb 5 W max.
120 V ~ 60 Hz 5 W LED 0.04 A
Included
4.3 Wh

Indoor Use

Distrito Bandido

RFC: DBA200515RT3
Callejón del Cristo 2 - 6A
Col. San José del Puente
C.P. 72150. Puebla, Puebla

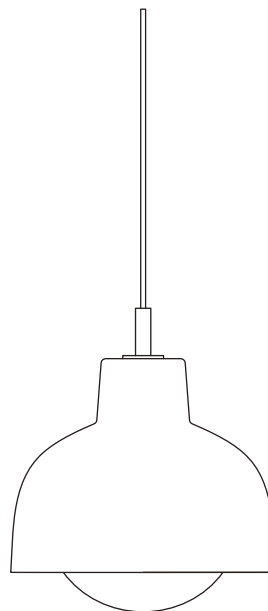
+52 (222) 688 8442
www.bandidostudio.com

B

DBH

Pendant Lamp

Instructions

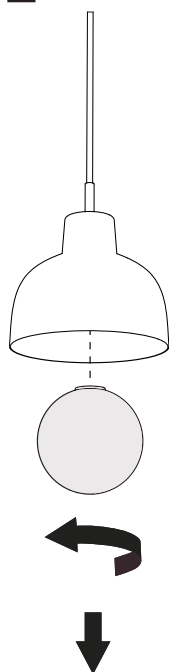


Bandido

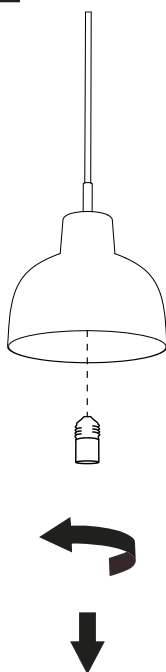
Bulb replacement

Tutorial

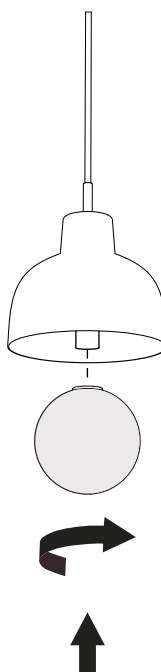
1



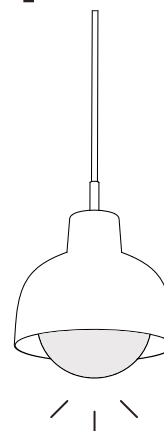
2



3



4



Handle with care, fragile materials.



Use only LED bulb

Installation Guide

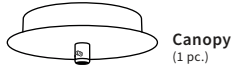
Pendant Lamp



CAUTION: Turn off the power supply before executing any electrical installation.

We suggest that any electrical work should be performed by a qualified electrician.

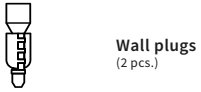
Parts included.



Canopy
(1 pc.)



Light crossbar
(1 pc.)

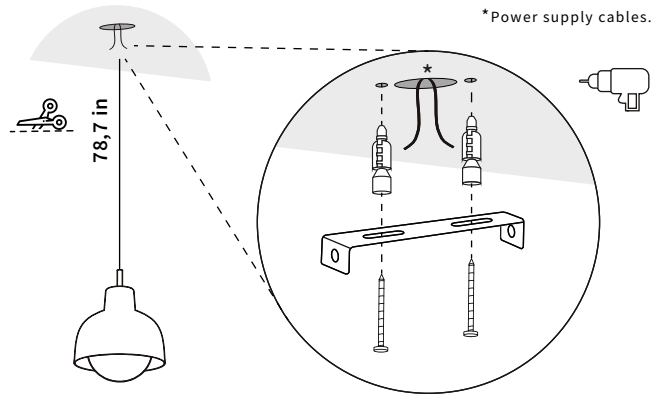


Wall plugs
(2 pcs.)

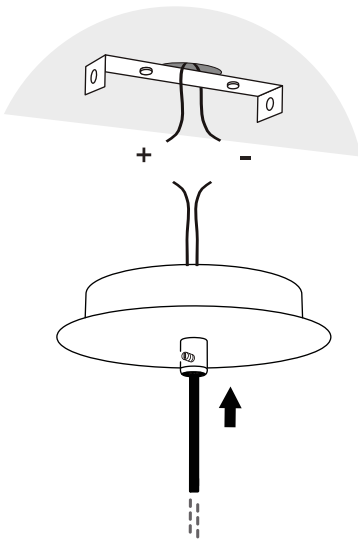


Screws
(2 pcs.)

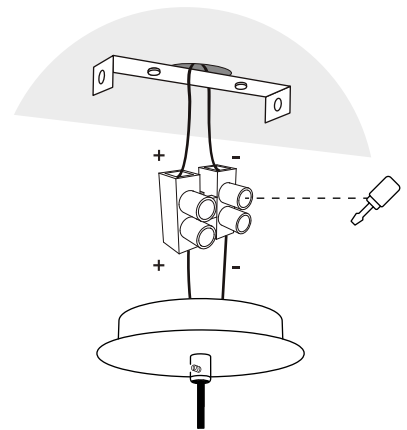
1 Cut the cable to the desired length. Place the wall plugs and fix the light crossbar to the ceiling.



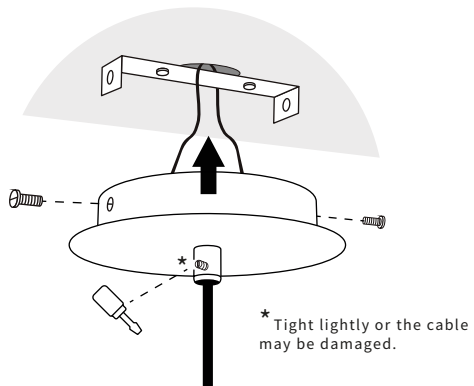
2 Pass the cable through the canopy.




3 Connect the wires through the connector.



4 Canopy fastening.



 **Handle with care, fragile materials.**