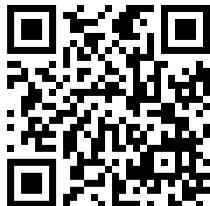


**Bandido** creates products that generate harmony and warmth in each space where they are present. We hope you enjoy your new product and exceeds all your expectations.

You can get more information about the maintenance of your product and warranty by scanning the following **QR Code**.



**NOTE.** This installation guide only applies to the CTR01 B Black lamp.

#### Light Source

1 x G9 LED bulb 6 W max.  
120 V ~ 60 Hz 6 W LED 0.04 A  
Included  
6 Wh

Indoor use

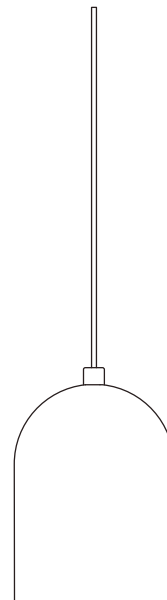
#### Distrito Bandido

RFC: DBA200515RT3  
Callejón del Cristo 2 - 6A  
Col. San José del Puente  
C.P. 72150. Puebla, Puebla

+52 (222) 688 8442  
[www.bandidostudio.com](http://www.bandidostudio.com)

# B CTR01 B

## Pendant Lamp Instructions

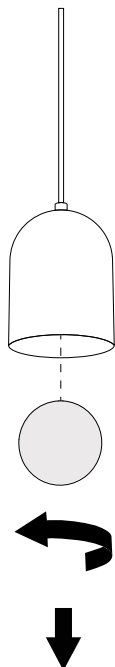


# Bandido

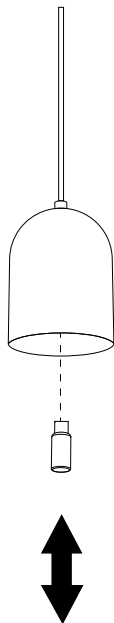
## Bulb replacement

Tutorial

**1**

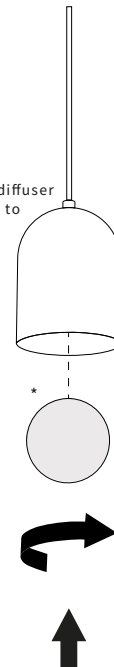


**2**



**3**

\*Align the glass diffuser and screw gently to avoid jamming.



Handle with care, fragile materials.



Use only LED bulb

# Installation Guide

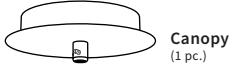
Pendant Lamp



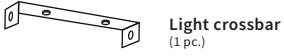
**CAUTION: Turn off the power supply before executing any electrical installation.**

We suggest that any electrical work should be performed by a qualified electrician.

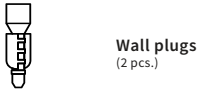
## Parts included.



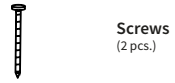
Canopy  
(1 pc.)



Light crossbar  
(1 pc.)

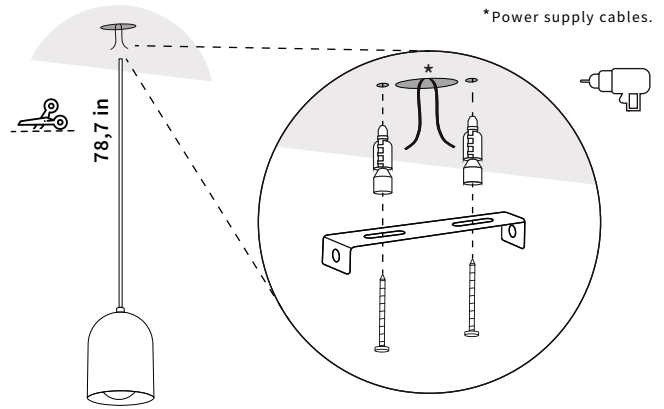


Wall plugs  
(2 pcs.)

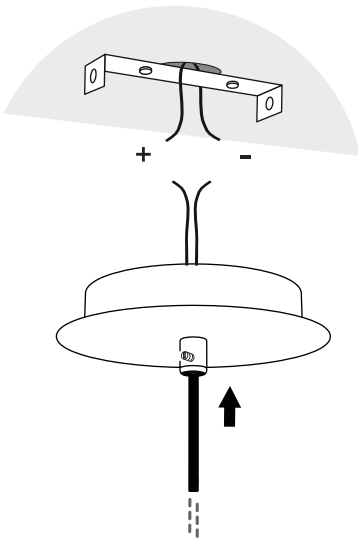


Screws  
(2 pcs.)

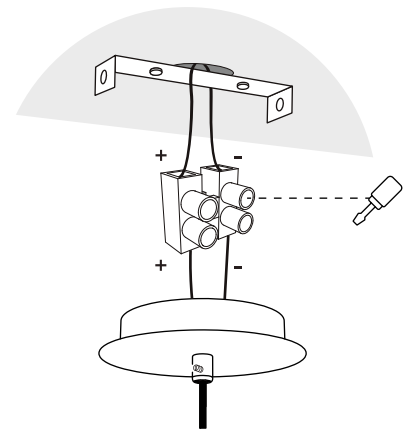
**1** Cut the cable to the desired length. Place the wall plugs and fix the light crossbar to the ceiling.



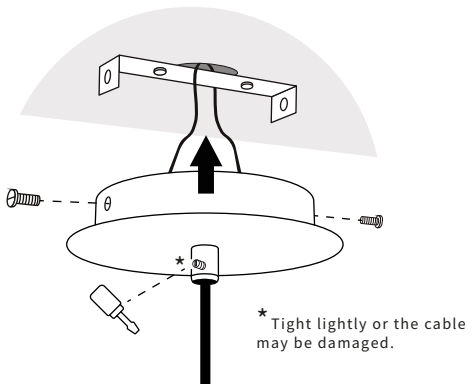
**2** Pass the cable through the canopy.



**3** Connect the wires through the connector.



**4** Canopy fastening.



**Handle with care, fragile materials.**